



**TOYOTA**

ALWAYS A  
**BETTER WAY**

# Prius Plug-in

## Front & rear set mudflaps

Installation instructions

Model year: 2016/09, 2019/05

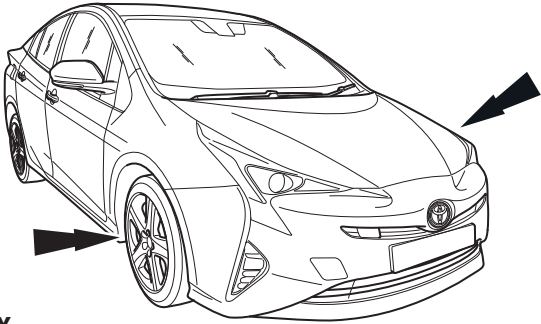
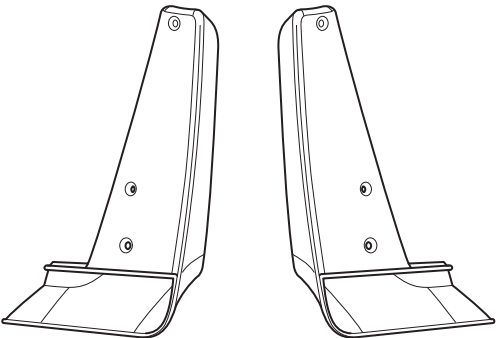

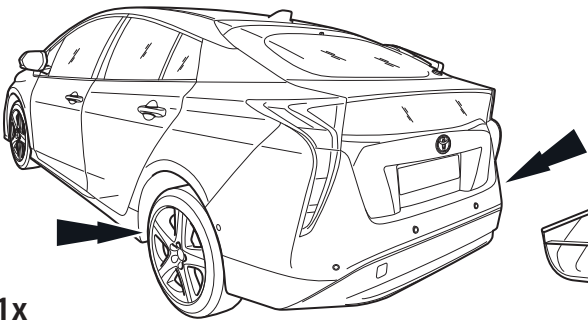
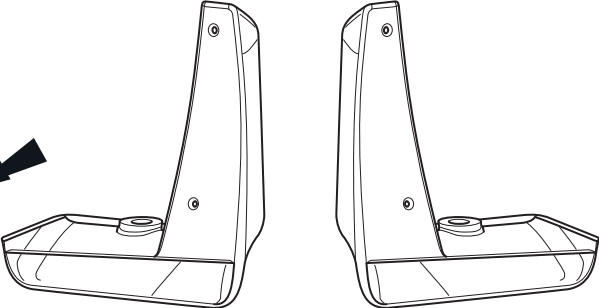
Vehicle code: ZVW5\*\*-AHX\*\*\*



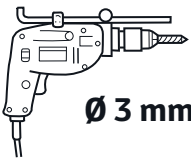

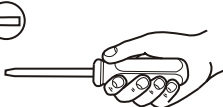
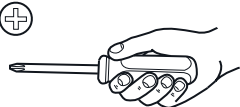
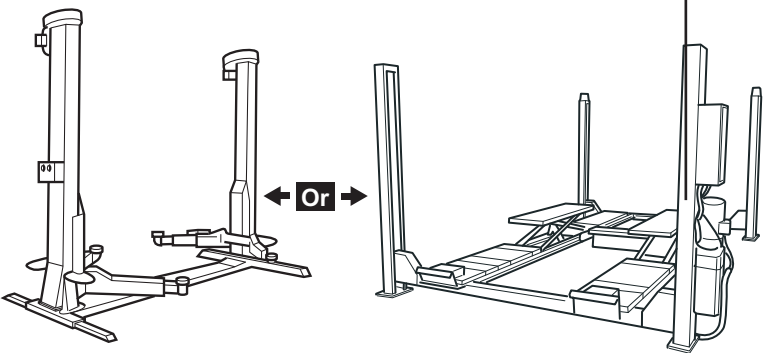
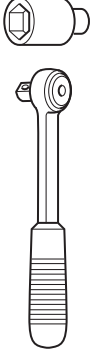




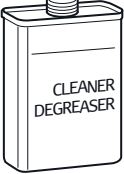
Part number: PW389-47000/2

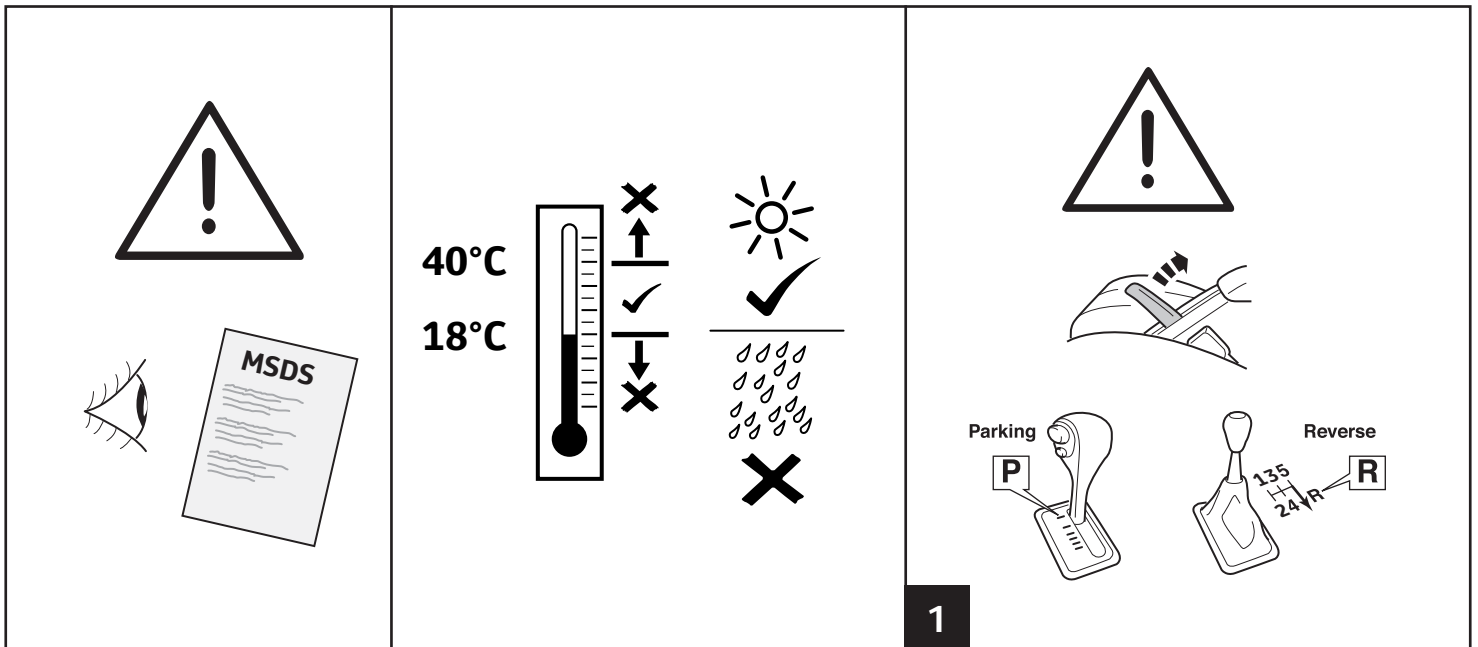
Manual reference number: AIM 003 809 - 1

# Revision Record

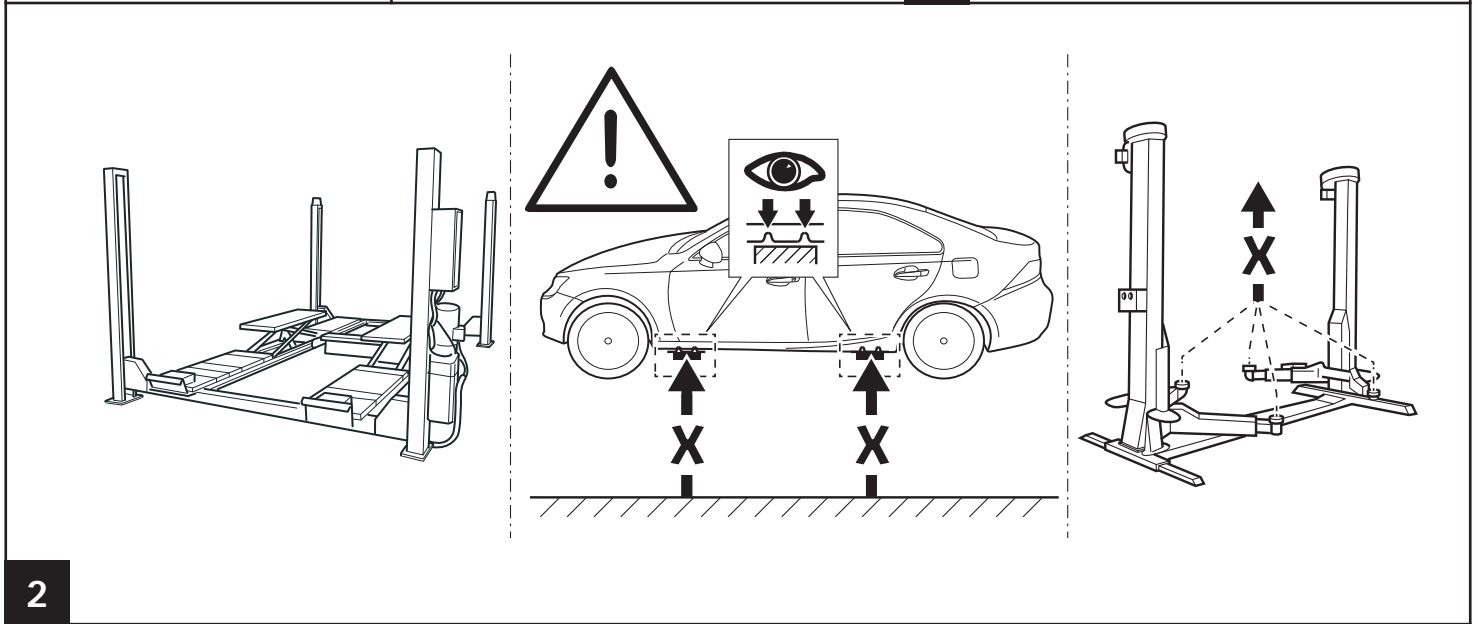
Rev. No.	Date	Page	Step	Remarks
①	29.03.19	1		Model year added

 <p><b>A</b> 1x</p>		
 <p><b>B</b> 1x</p>		

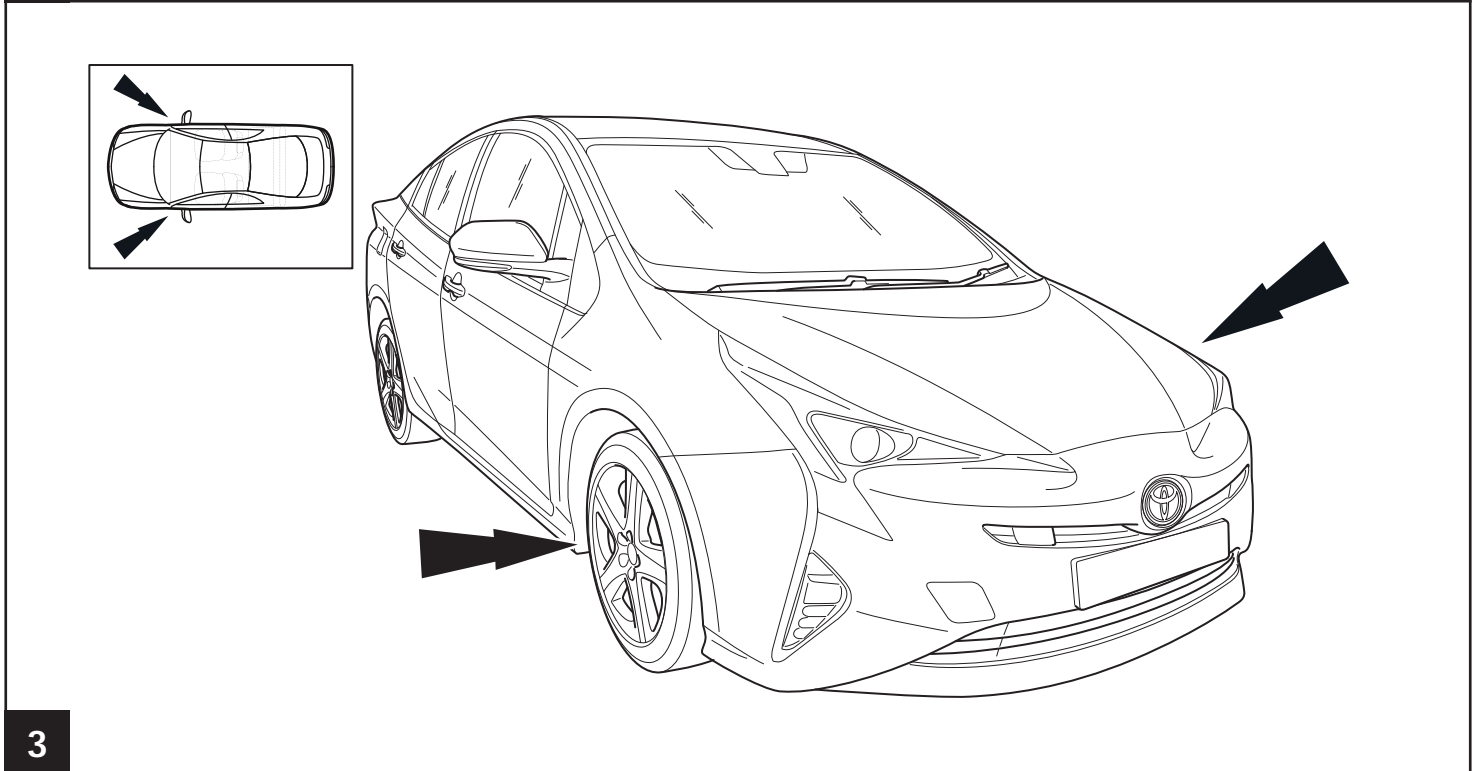
		 <p>Ø 3 mm</p>			
		<p>10 mm 21 mm</p> 			<p>Ø10mm</p> 
			 <p>CLEANER DEGREASER</p>		



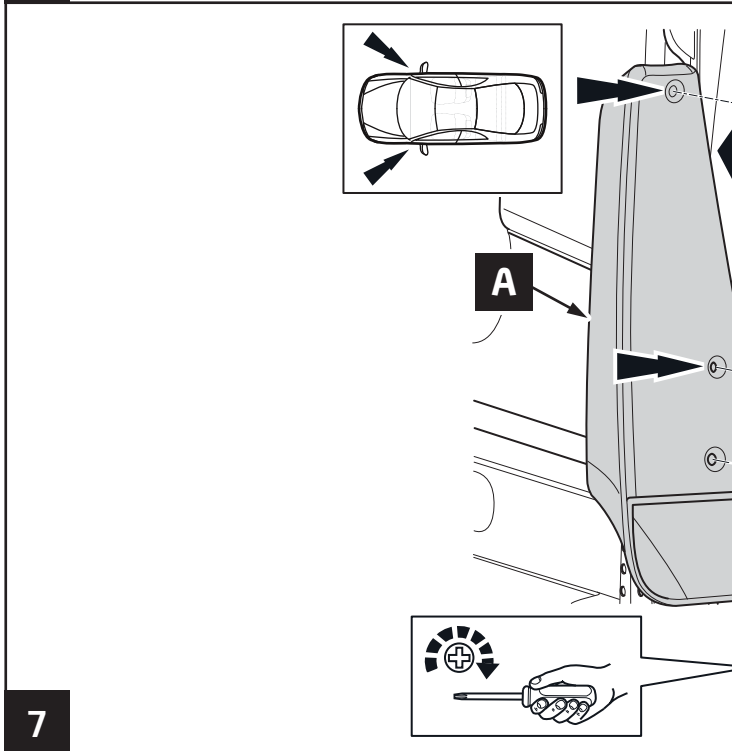
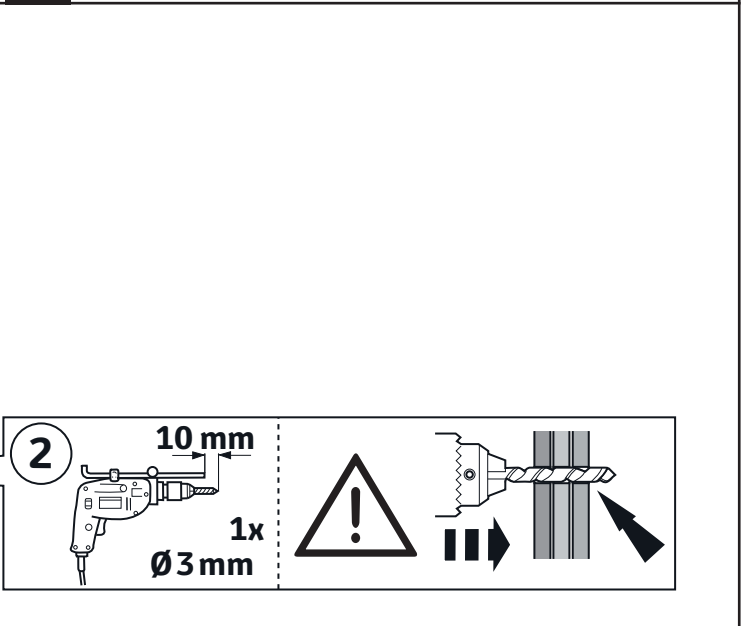
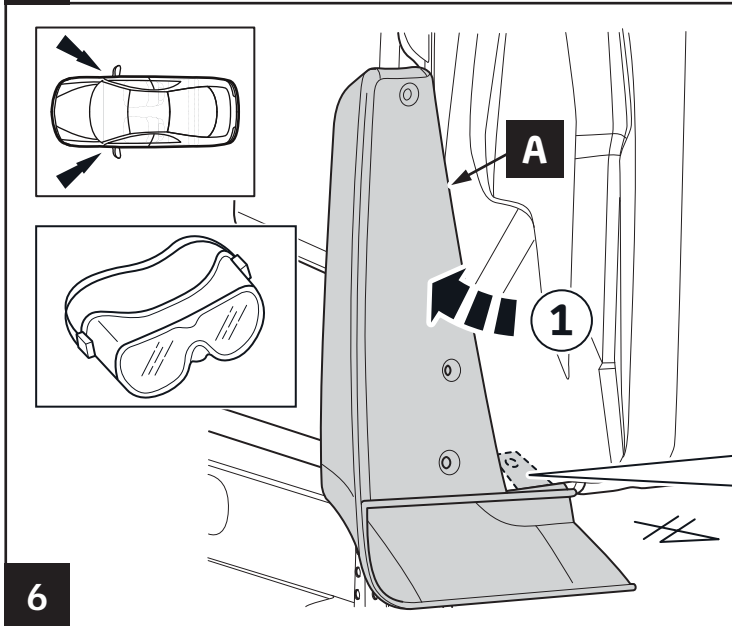
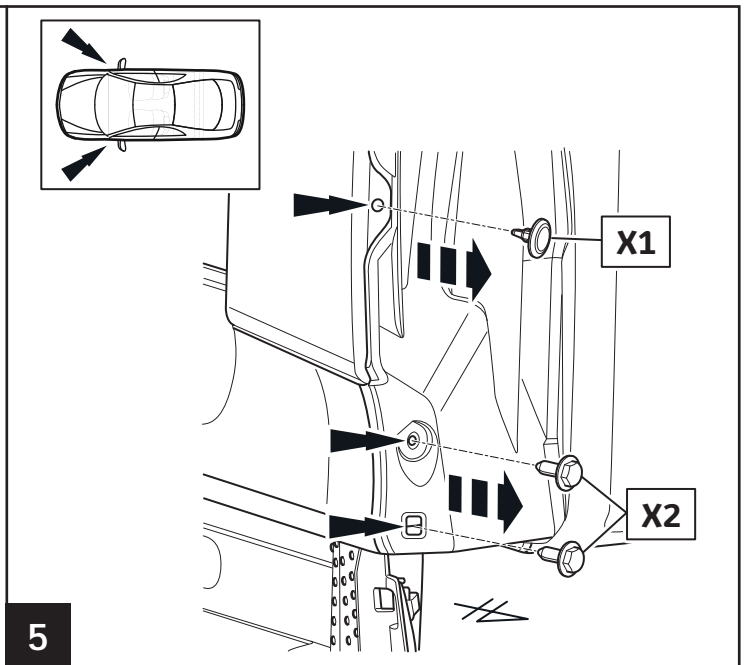
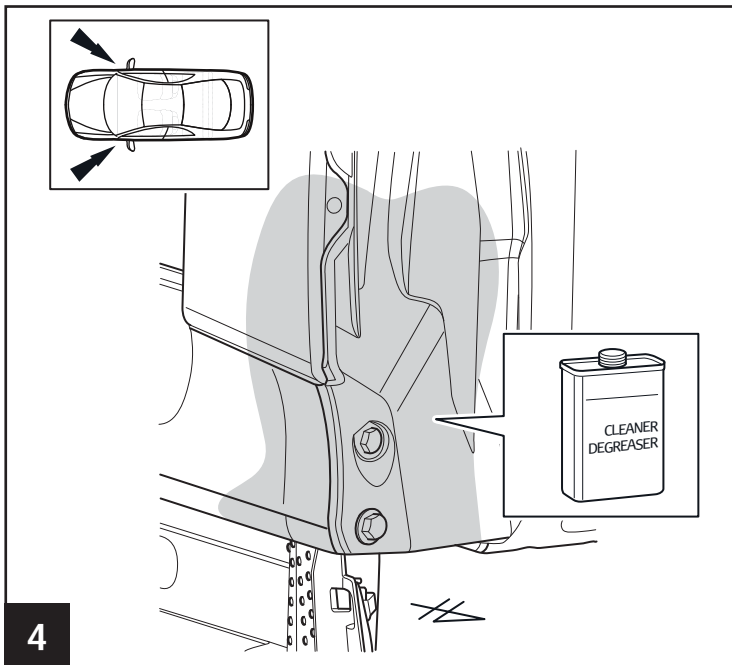
1

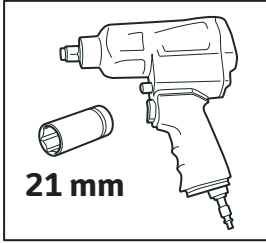
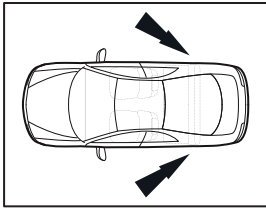


2

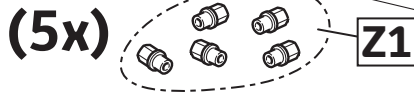
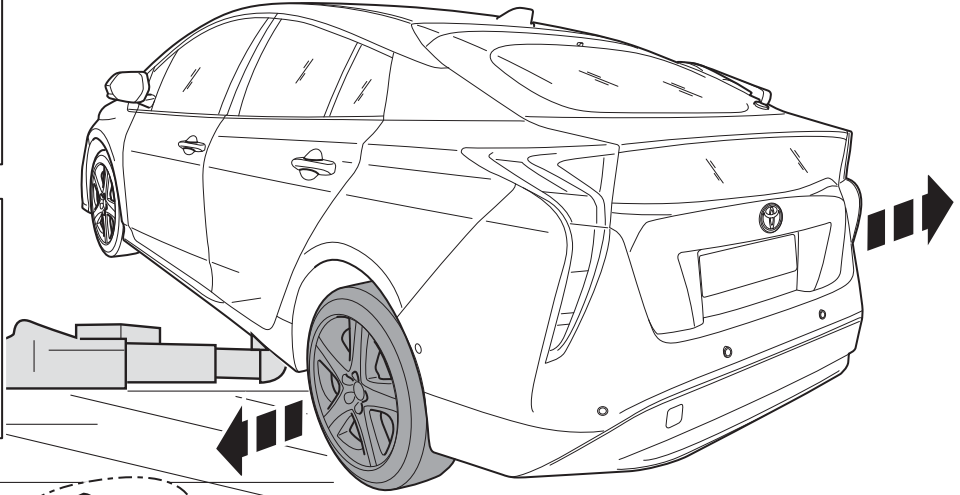


3

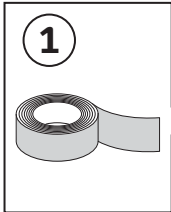




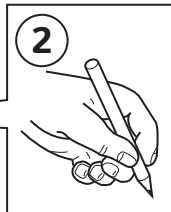
21 mm



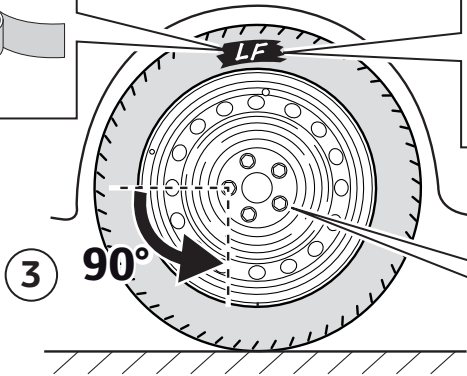
8



1

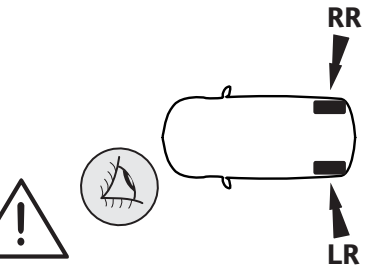


2



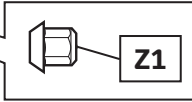
3

90°



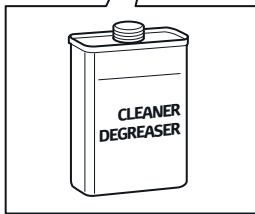
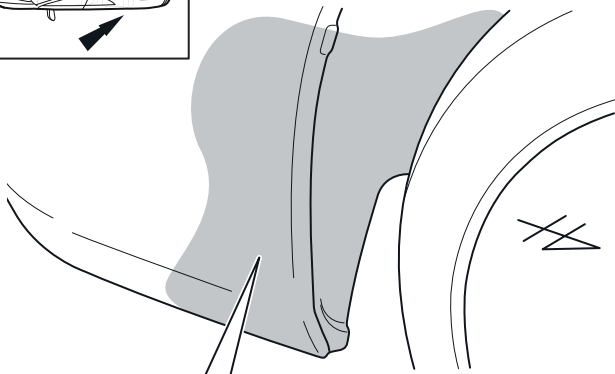
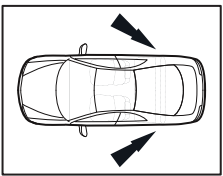
RR

LR



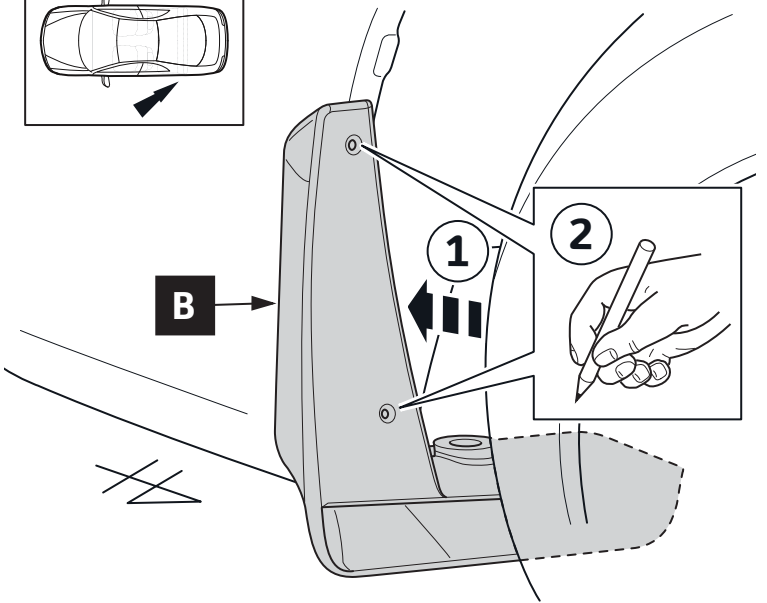
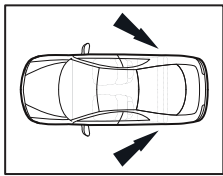
Z1

9



CLEANER  
DEGREASER

10

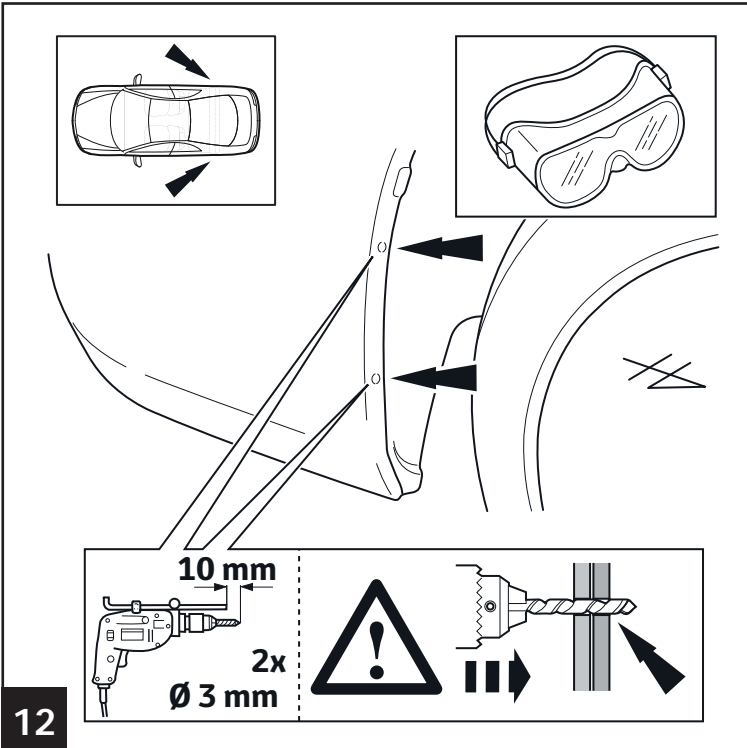


1

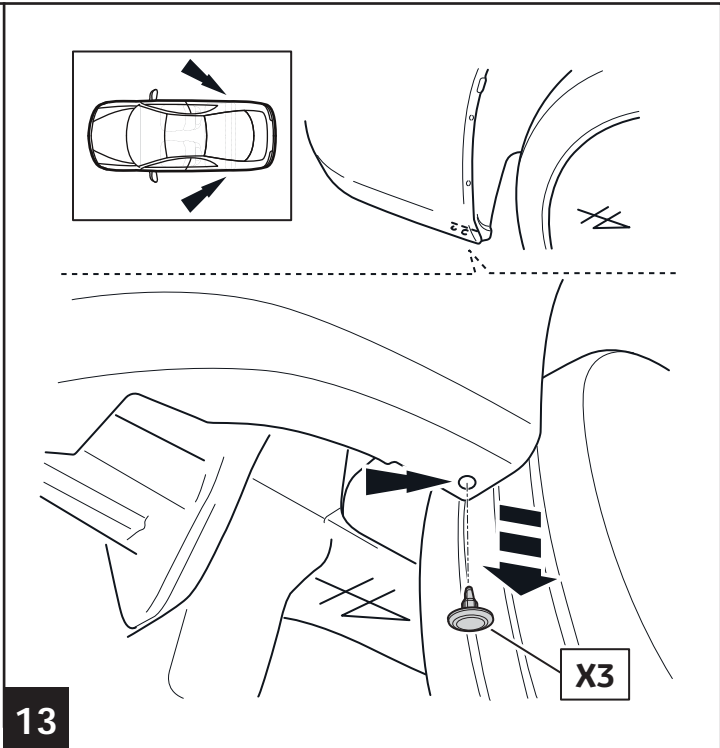
2

B

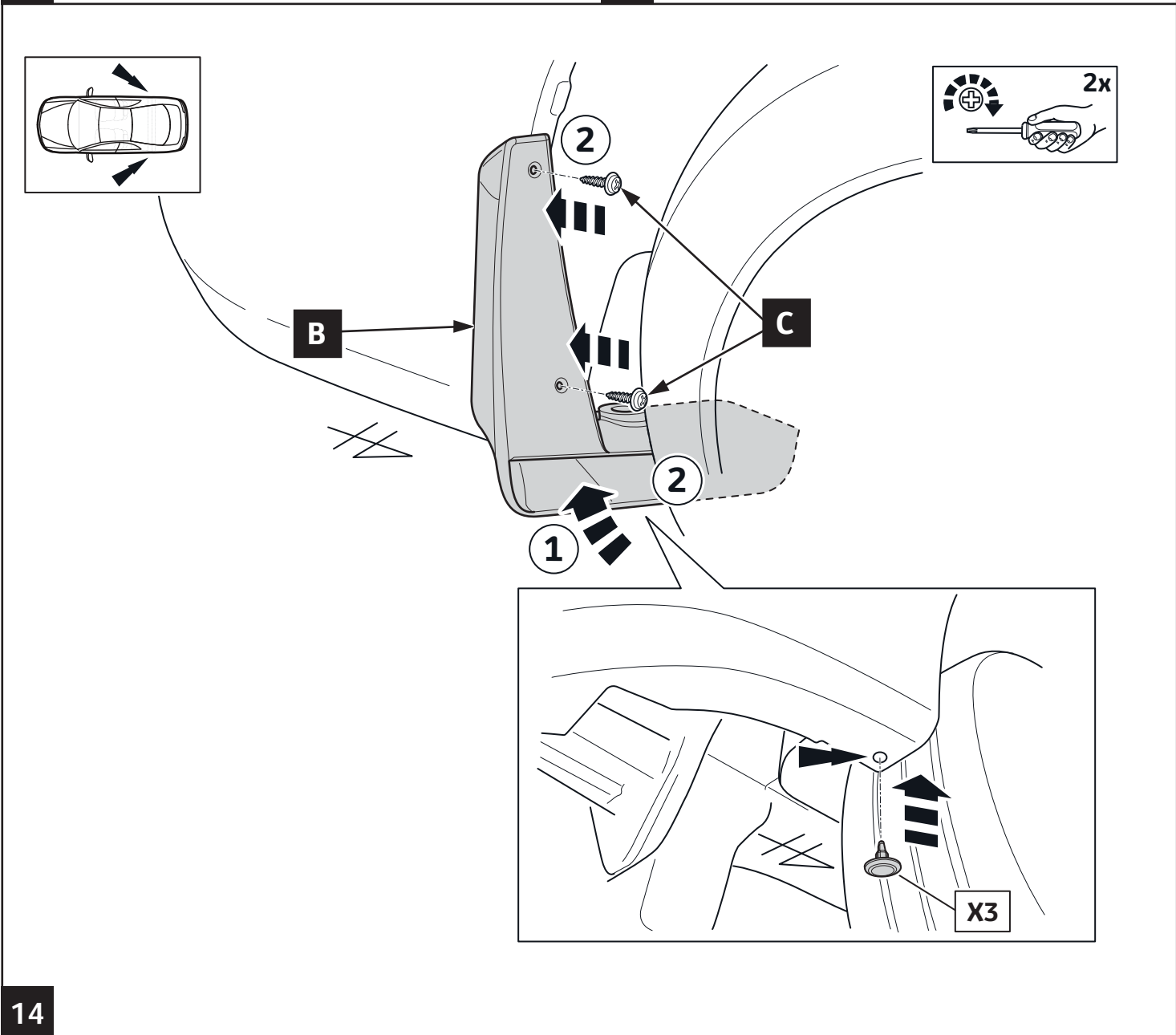
11



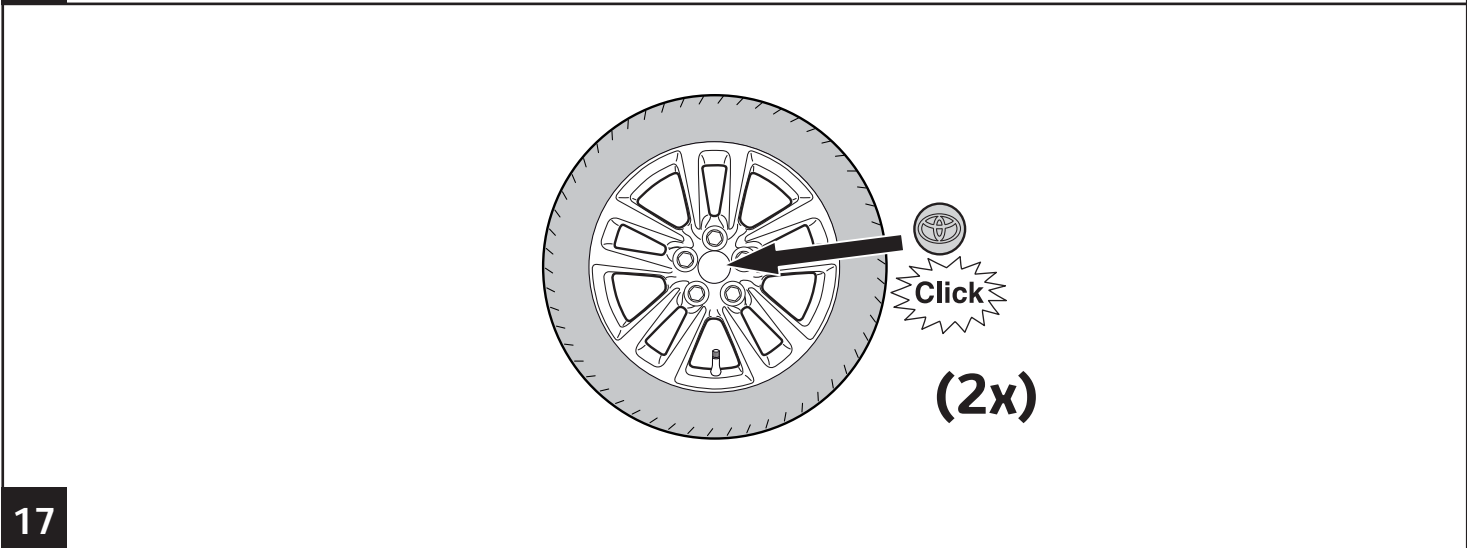
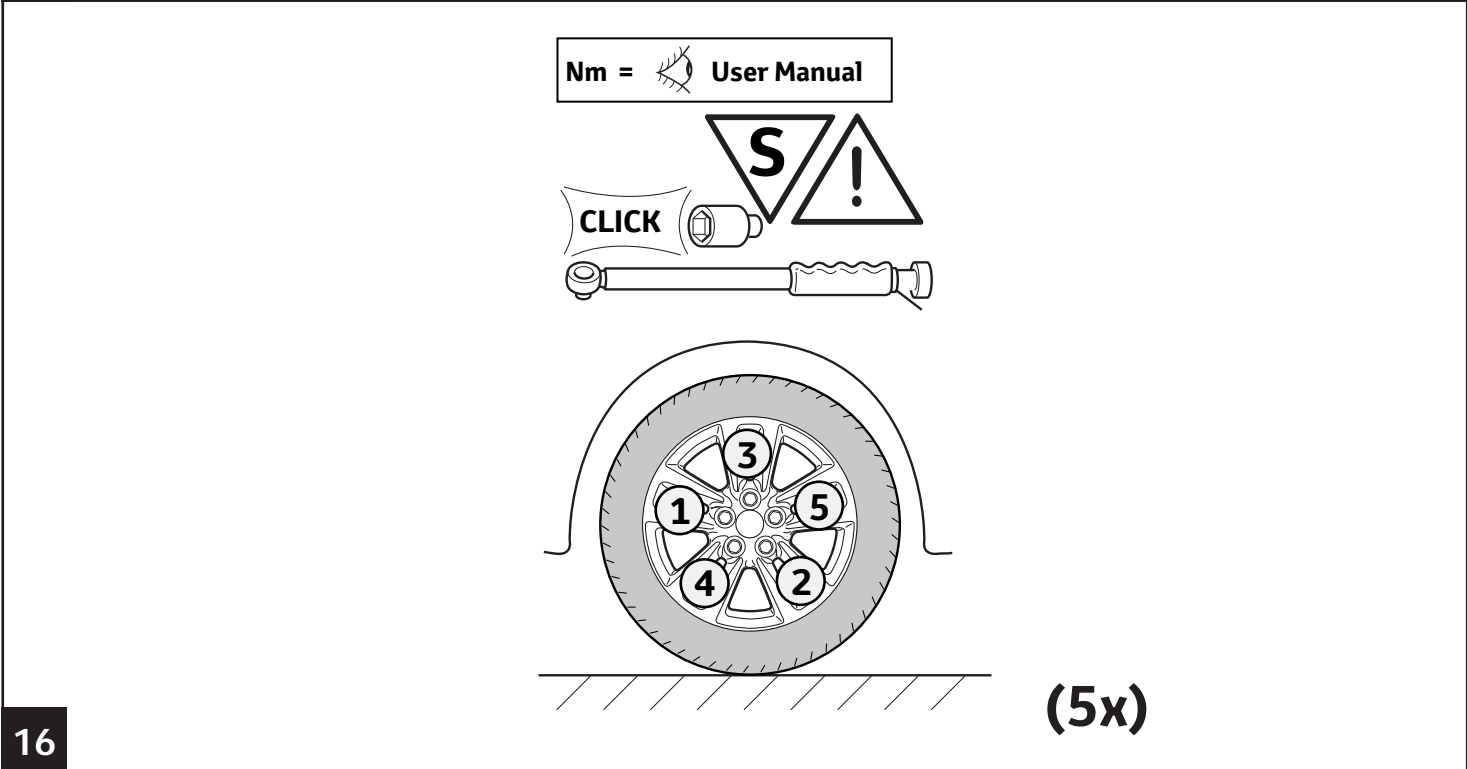
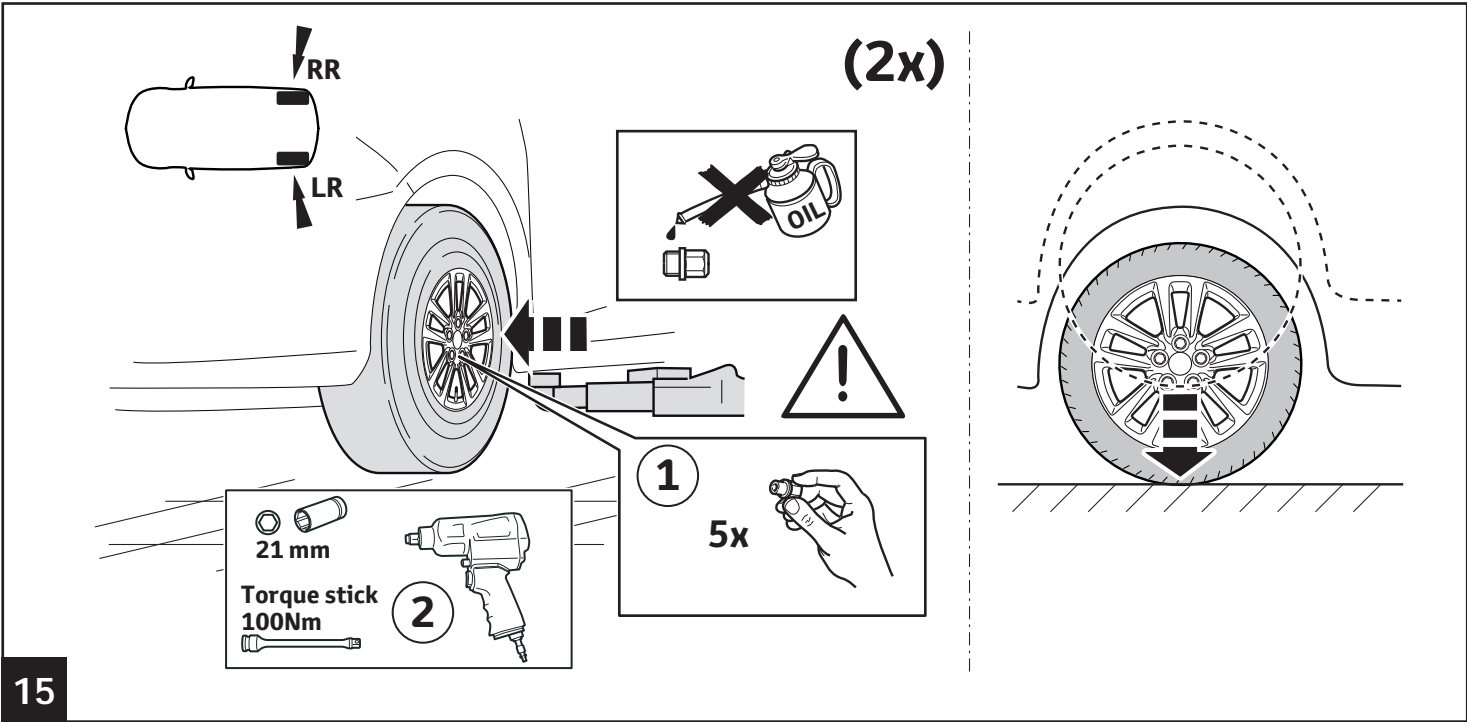
12



13



14



# CHECK SHEET



**TOYOTA**

ALWAYS A BETTER WAY


**Model / Year**

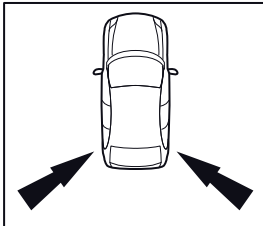
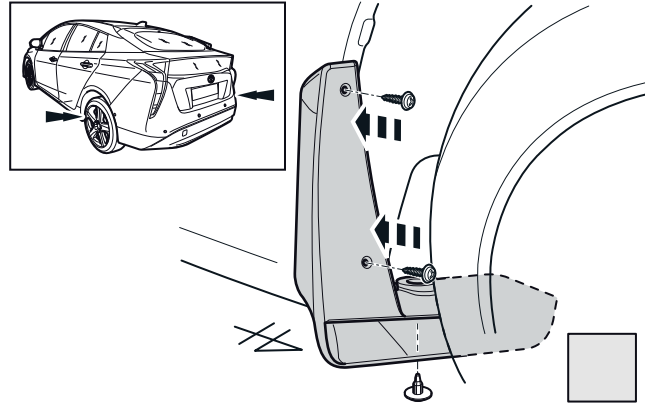
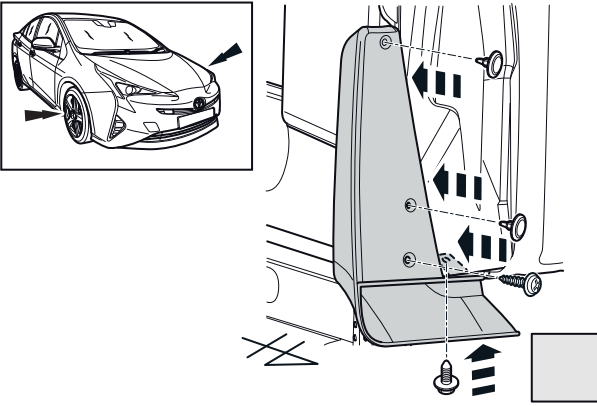

**Prius Plug-in  
2016/09, 2019/05**

**Front & rear set  
mudlaps**


**VIN n°**

□ □ □ □ □ □ □ □ □ □ □ □ □ □ □ □


 **P/N = OK**




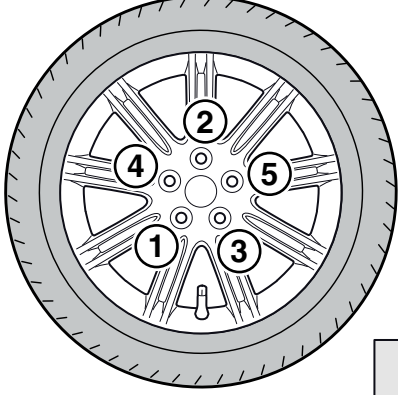
**103 Nm**



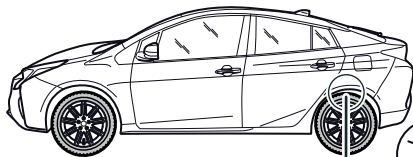
**Serial Number**

  **=A**

  **=B**

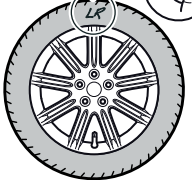


**S !**

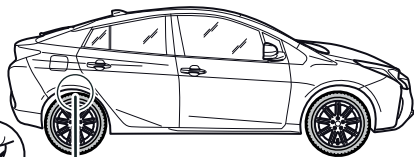


**LR = LR = OK**

**A**  **B**

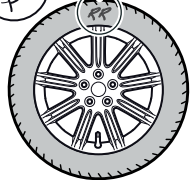


**S !**



**RR = RR = OK**

**A**  **B**



**Installation Date:**

... / ... / .....

**Technician Name & Signature:**

**Stamp:**