

Last Modified: 01-14-2019

6.8:8.0.48

Doc ID: RM100000000ROXN

Model Year Start: 2016

Model: Prius

Prod Date Range: [11/2015 -]

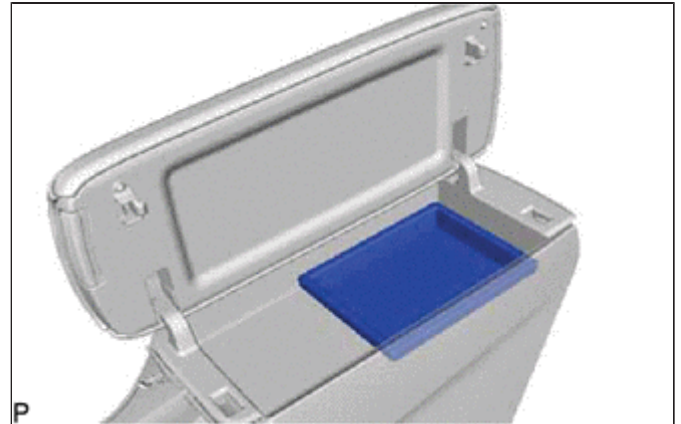
Title: INTERIOR PANELS / TRIM: REAR CONSOLE BOX: DISASSEMBLY; 2016 - 2019 MY Prius [11/2015 -]

DISASSEMBLY

PROCEDURE

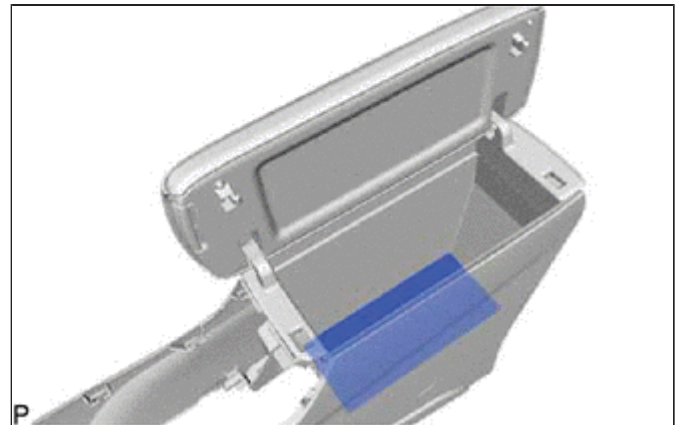
1. REMOVE CONSOLE BOX POCKET

(a) Remove the console box pocket.



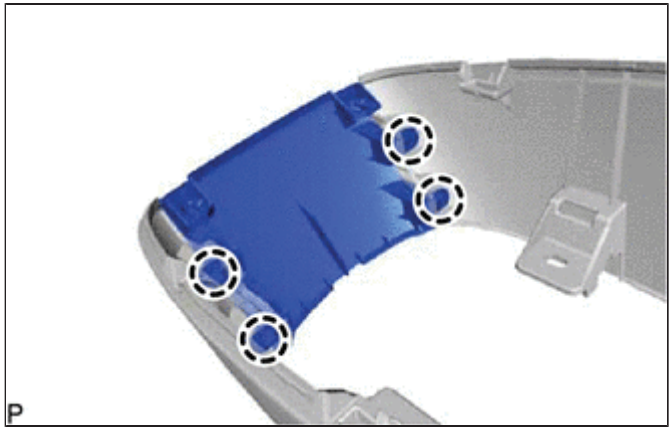
2. REMOVE BOX BOTTOM MAT

(a) Remove the box bottom mat.



3. REMOVE FRONT CONSOLE BOX COVER

(a) Disengage the 4 claws to remove the front console box cover.



Last Modified: 01-14-2019	6.8:8.0.48	Doc ID: RM100000001G3NB
Model Year Start: 2019	Model: Prius	Prod Date Range: [12/2018 -]
Title: INTERIOR PANELS / TRIM: REAR CONSOLE BOX: INSTALLATION; 2019 MY Prius [12/2018 -]		

INSTALLATION

PROCEDURE

1. INSTALL REAR CONSOLE BOX ASSEMBLY

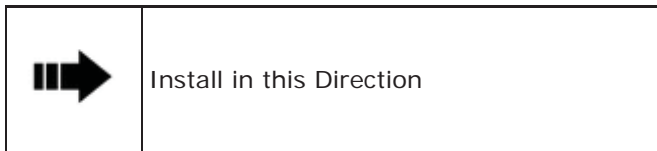
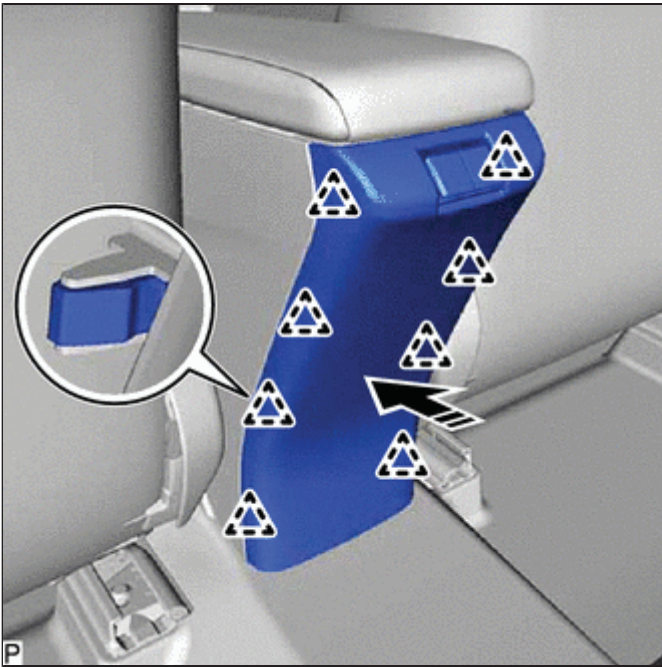
- (a) Install the rear console box assembly with the 6 bolts.

Torque:

13 N·m { 133 kgf·cm, 10 ft·lbf }

2. INSTALL CONSOLE REAR END PANEL SUB-ASSEMBLY

- (a) Connect the connector.
 (b) Engage the 8 clips to install the console rear end panel sub-assembly as shown in the illustration.



3. INSTALL CONSOLE CUP HOLDER BOX SUB-ASSEMBLY

- (a) Install the console cup holder box sub-assembly with the 6 screws.

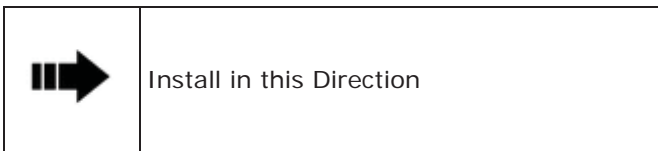
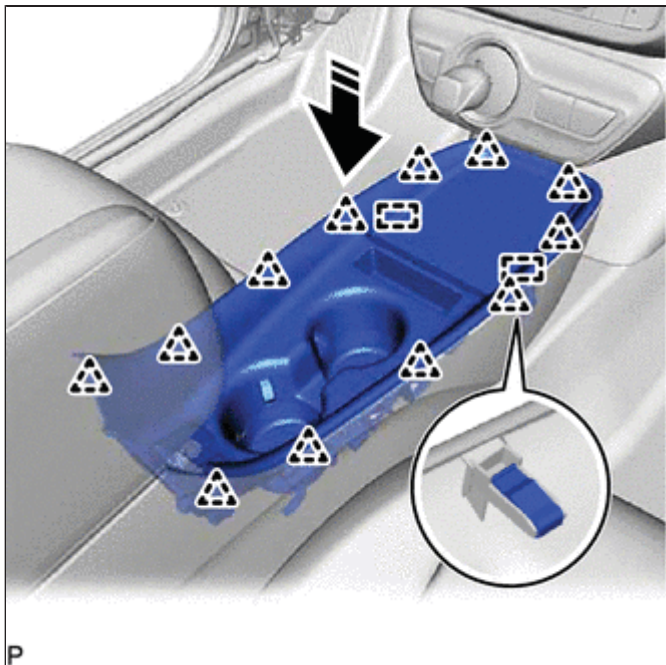
4. INSTALL NO. 1 INDOOR ELECTRICAL KEY ANTENNA ASSEMBLY

Click here [INFO](#)

5. INSTALL UPPER CONSOLE PANEL SUB-ASSEMBLY

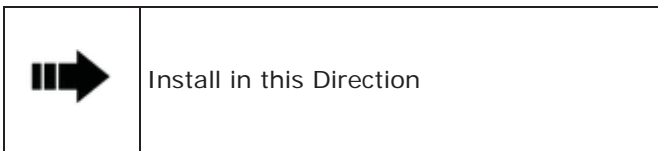
- (a) Connect each connector.
 (b) Engage each clamp.

(c) Engage the 2 guides and 12 clips to install the upper console panel sub-assembly as shown in the illustration.

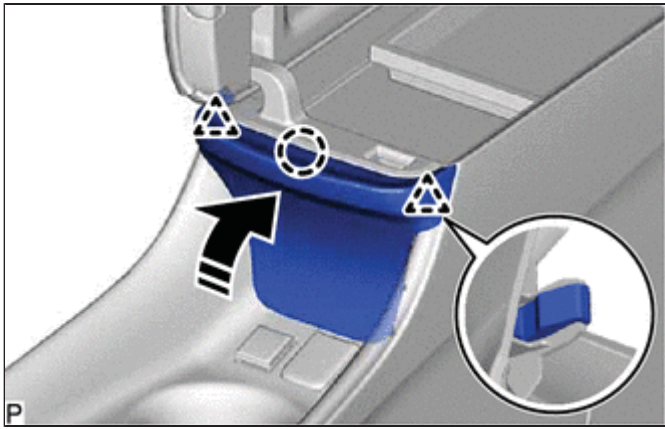



6. INSTALL NO. 1 UPPER BOX PLATE

(a) Engage the 2 claws as shown in the illustration.



(b) Engage the 2 clips and claw to install the No. 1 upper box plate as shown in the illustration.



	Install in this Direction
--	---------------------------



Last Modified: 01-14-2019

6.8:8.0.48

Doc ID: RM100000000ROXO

Model Year Start: 2016

Model: Prius

Prod Date Range: [11/2015 -]

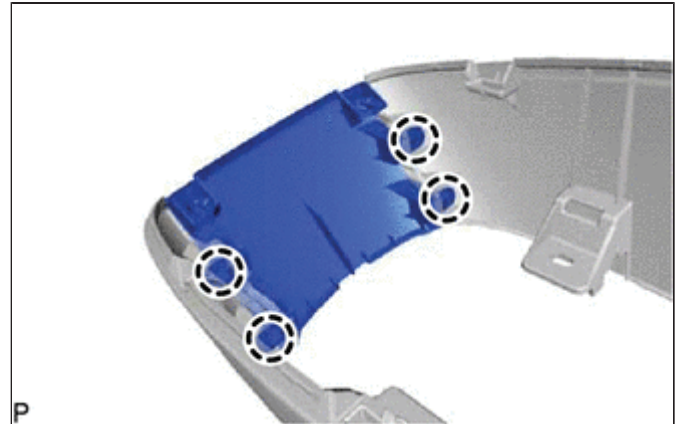
Title: INTERIOR PANELS / TRIM: REAR CONSOLE BOX: REASSEMBLY; 2016 - 2019 MY Prius [11/2015 -]

REASSEMBLY

PROCEDURE

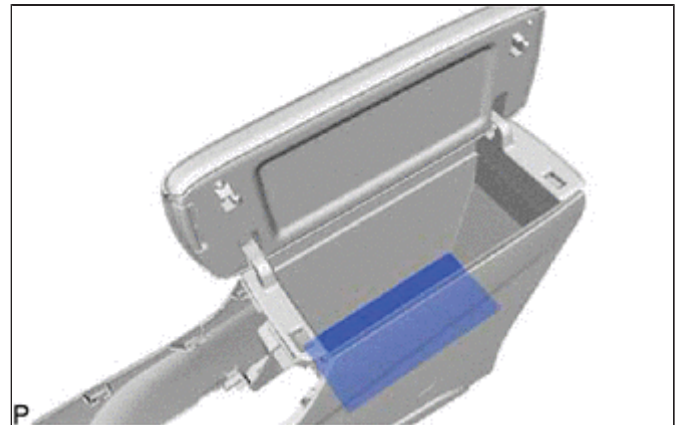
1. INSTALL FRONT CONSOLE BOX COVER

(a) Engage the 4 claws to install the front console box cover.



2. INSTALL BOX BOTTOM MAT

(a) Install the box bottom mat.



3. INSTALL CONSOLE BOX POCKET

(a) Install the console box pocket.

