

# MIL "ON" DTC P05A072 Due to Debris Stuck in the Active Grille Shutter

Service Category Vehicle Exterior

Section Exterior Panels/Trim

Market USA



**Applicability**

YEAR(S)	MODEL(S)	ADDITIONAL INFORMATION
2017	Prius Prime	
2016 - 2017	Prius	

**Introduction**

Some 2016 – 2017 model year Prius and 2017 model year Prius Prime vehicles may exhibit a “Grille Shutter Inoperative, Please See Dealer” message on the combination meter and/or a MIL “ON” condition with Diagnostic Trouble Code (DTC) P05A072 (Active Grille Air Shutter “A” Actuator Stuck Open) set due to debris stuck in the active grille shutter. Follow the Repair Procedure in this bulletin to address this condition.

**Production Change Information**

This bulletin applies to vehicles produced **BEFORE** the Production Change Effective VINs shown below.

MODEL	PLANT	LINE	DRIVETRAIN	PRODUCTION CHANGE EFFECTIVE VIN
Prius	Tsutsumi	1	2WD	JTDKBRFU#H3050432
		2		JTDKBRFU#H3570595
Prius Prime		1		JTDKARFP#H3039725

## MIL "ON" DTC P05A072 Due to Debris Stuck in the Active Grille Shutter

### Warranty Information

OP CODE	DESCRIPTION	TIME	OFF	T1	T2
BD1704	Replace Grille Shutter Sub-assembly, Swing Actuator Assembly, and Lower Front Bumper Absorber	0.8	53019-47010	87	88

#### APPLICABLE WARRANTY

- This repair is covered under the Toyota Federal Emissions Warranty. This warranty is in effect for 36 months or 36,000 miles, whichever occurs first, from the vehicle's in-service date.
- Warranty application is limited to occurrence of the specified condition described in this bulletin.
- For California specification vehicles sold, registered, and operated in California, Connecticut, Maine, Maryland, Massachusetts, New Jersey, New York, Oregon, Rhode Island, and Vermont, this repair is covered under the California Emission Warranty. This warranty is in effect for 180 months or 150,000 miles, whichever occurs first, from the vehicle's in-service date.
- In Delaware, Pennsylvania, and Washington, CA Emissions coverage is 36 months or 50,000 miles, whichever comes first, from the vehicle's in-service date.

### Parts Information

MODEL	PART NUMBER		PART NAME	QTY
	PREVIOUS	NEW		
Prius	53019-47010	53019-47011	Shutter Sub-assy, Radiator	1
	52618-47080	52618-47081	Absorber, Front Bumper, Lower	1
	88940-47010	88940-47011	Actuator Assy, Swing Grille	1
Prius Prime	53019-47010	53019-47011	Shutter Sub-assy, Radiator	1
	52618-47110	52618-47111	Absorber, Front Bumper, Lower	1
	88940-47030	88940-47031	Actuator Assy, Swing Grille	1

# MIL "ON" DTC P05A072 Due to Debris Stuck in the Active Grille Shutter

## Required Tools & Equipment

REQUIRED EQUIPMENT	SUPPLIER	PART NUMBER	QTY
Techstream 2.0*	ADE	TS2UNIT	1
Techstream Lite		TSLITEPDLR01	
Techstream Lite (Green Cable)		TSLP2DLR01	

\* Essential SST.

**NOTE**

- **ONLY ONE** of the Techstream units listed above is required.
- Software version 12.20.024 or later is required.
- Additional Techstream units may be ordered by calling Approved Dealer Equipment (ADE) at 1-800-368-6787.

SPECIAL SERVICE TOOLS (SST)	PART NUMBER	QTY
Digital Angle Gauge Kit	11815-00009	1

**NOTE**

Additional SSTs may be ordered by calling 1-800-933-8335.

## Inspection

**NOTE**

This bulletin will **ONLY** help reduce the possibility of debris causing the grille shutter to stick open. For all other causes of grille shutter malfunctions, continue diagnosis using the applicable Repair Manual.

Inspect the grille shutter for debris or witness marks where debris may have caused the grille shutter to stick open.

Are witness marks or debris present?

- **YES** — Remove the debris and continue to the Repair Procedure.
- **NO** — This bulletin does NOT apply. Continue diagnosis using the applicable Repair Manual.



# MIL "ON" DTC P05A072 Due to Debris Stuck in the Active Grille Shutter

## Repair Procedure

1. Remove the front bumper.  
Refer to the Technical Information System (TIS), applicable model and model year Repair Manual:

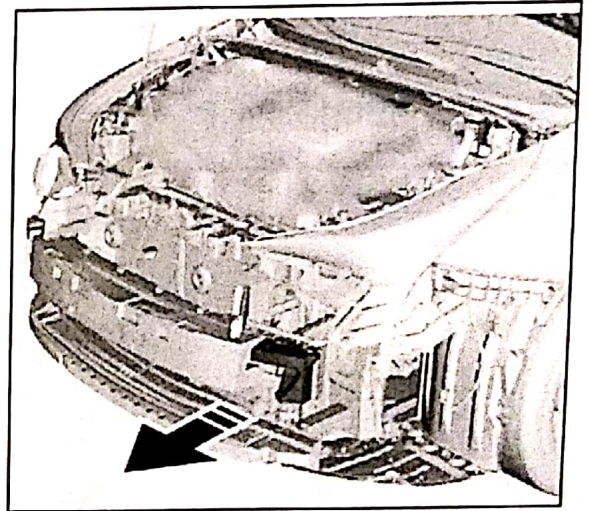
- 2016 – 2017 Prius:  
Vehicle Exterior – Exterior Panels/Trim – “Exterior Panels / Trim: Front Bumper: Removal”
- 2017 Prius Prime:  
Vehicle Exterior – Exterior Panels/Trim – “Exterior Panels / Trim: Front Bumper: Removal”

2. Remove the LH and RH front energy absorber mounting reinforcement.  
LH removal is as shown.

**HINT**

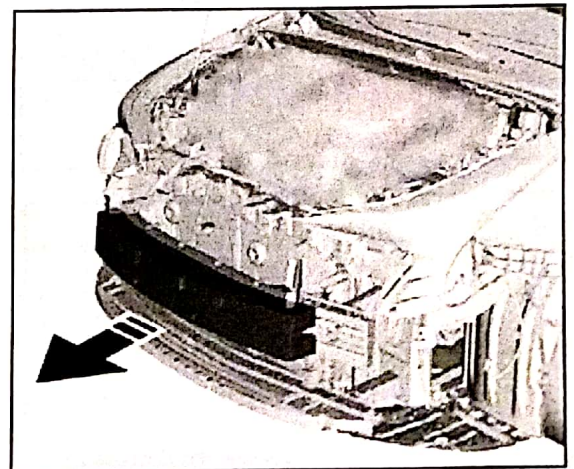
Use the same procedure for the RH side.

Figure 1.



3. Remove the front bumper energy absorber as shown.

Figure 2.

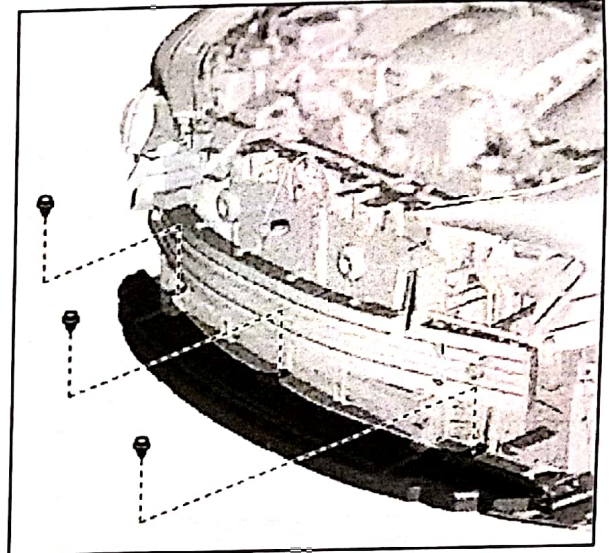


# MIL "ON" DTC P05A072 Due to Debris Stuck in the Active Grille Shutter

## Repair Procedure (Continued)

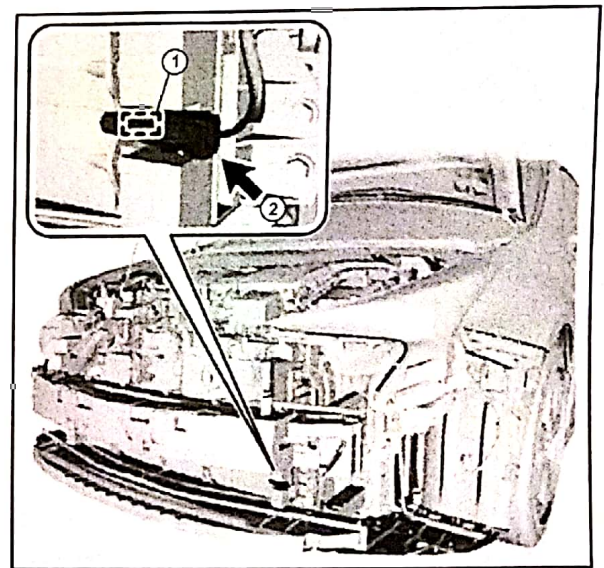
4. Remove the three clips and the lower front bumper absorber.

Figure 3.



5. Disengage the clamp and remove the thermistor assembly.

Figure 4.



1	Clamp
2	Thermistor Assembly

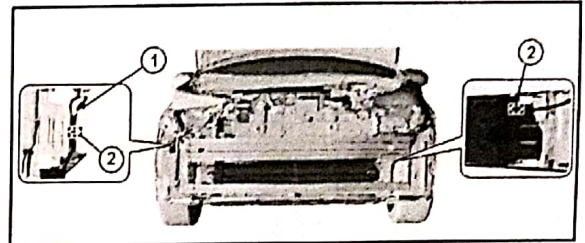


# MIL "ON" DTC P05A072 Due to Debris Stuck in the Active Grille Shutter

## Repair Procedure (Continued)

6. Remove the radiator shutter sub-assembly.
  - A. Disconnect the connector.
  - B. Disengage the two clamps.

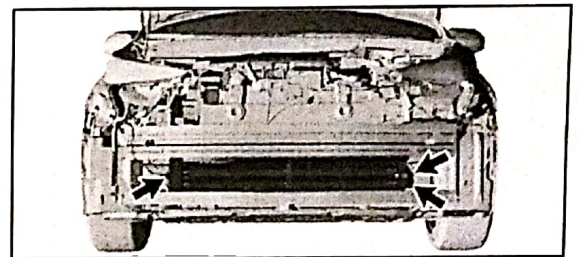
Figure 5.



1	Connector
2	Clamp

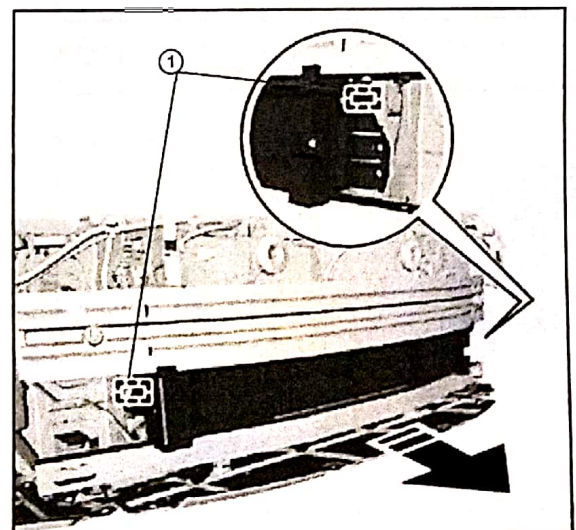
- C. Remove the three bolts.

Figure 6.



- D. Disengage the two guides and remove the radiator shutter sub-assembly.

Figure 7.



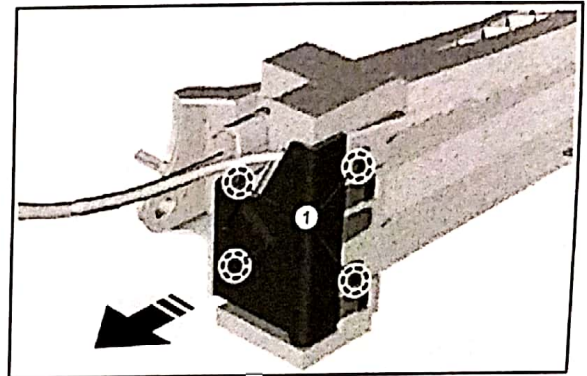
1	Guides
---	--------

# MIL "ON" DTC P05A072 Due to Debris Stuck in the Active Grille Shutter

## Repair Procedure (Continued)

7. Disengage the four claws to remove the motor cover as shown.

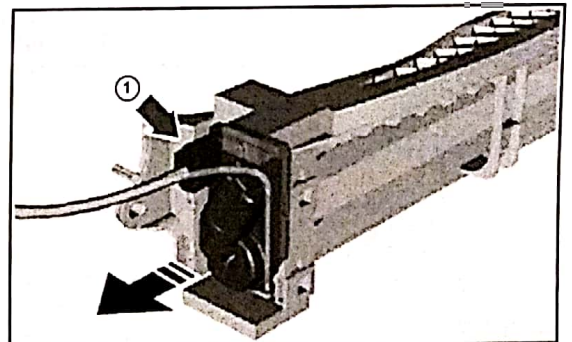
Figure 8.



1	Claws
---	-------

8. Disconnect the connector and remove the swing grille actuator assembly as shown.

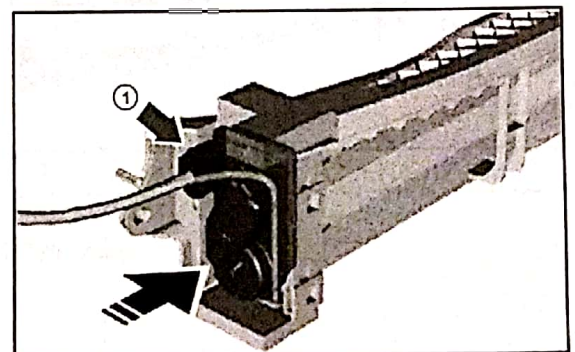
Figure 9.



1	Connector
---	-----------

9. Reconnect the connector and install the NEW swing grille actuator assembly to the NEW radiator shutter sub-assembly as shown.

Figure 10.



1	Connector
---	-----------

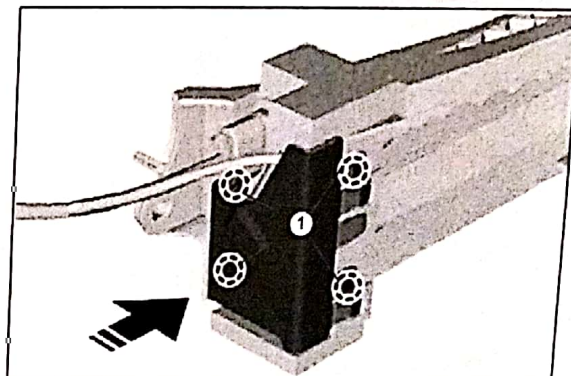


## MIL "ON" DTC P05A072 Due to Debris Stuck in the Active Grille Shutter

### Repair Procedure (Continued)

10. Engage the four claws to install the motor cover as shown.

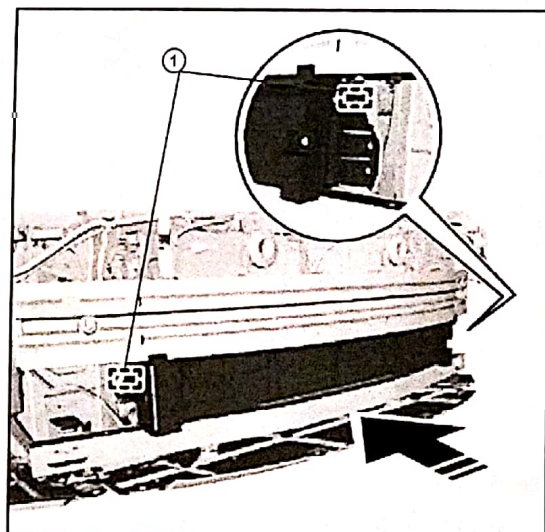
Figure 11.



1	Claws
---	-------

11. Install the NEW radiator shutter sub-assembly.
  - A. Engage the two guides as shown.

Figure 12.



1	Guides
---	--------

- B. Install the radiator shutter sub-assembly with the three bolts.  
Torque: 5.5 N\*m (56 kgf\*cm, 49 in\*lb)
    - C. Engage the two clamps.
    - D. Connect the connector.
12. Install the thermistor assembly.
  - A. Connect the connector.
  - B. Engage the clamp to install the thermistor assembly.

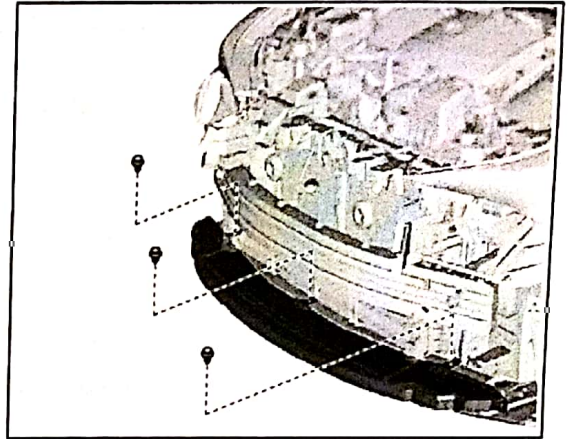


## MIL "ON" DTC P05A072 Due to Debris Stuck in the Active Grille Shutter

### Repair Procedure (Continued)

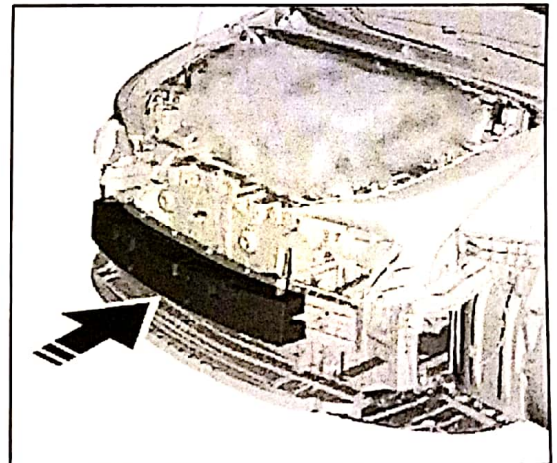
13. Install the NEW lower front bumper absorber with the three clips.

Figure 13.



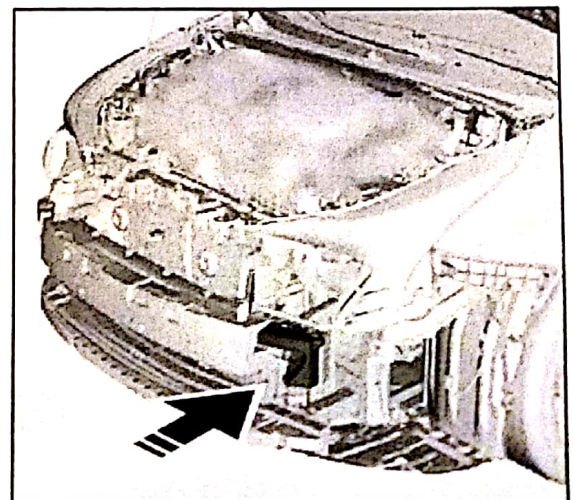
14. Install the front bumper energy absorber as shown.

Figure 14.



15. Install the LH and RH front energy absorber mounting reinforcement. LH installation is as shown.

Figure 15.



**HINT**

Use the same procedure for the RH side.

## MIL "ON" DTC P05A072 Due to Debris Stuck in the Active Grille Shutter

---

### Repair Procedure (Continued)

16. Install the front bumper.

Refer to TIS, applicable model and model year Repair Manual:

- 2016 – 2017 Prius:  
*Vehicle Exterior – Exterior Panels/Trim – “Exterior Panels / Trim: Front Bumper: Installation”*
- 2017 Prius Prime:  
*Vehicle Exterior – Exterior Panels/Trim – “Exterior Panels / Trim: Front Bumper: Installation”*

17. Perform calibration with the Intuitive Parking Assist System.

Refer to TIS, applicable model and model year Repair Manual:

- 2016 – 2017 Prius:  
*Audio/Visual/Telematics – Park Assist/Monitoring – “Park Assist / Monitoring: Intelligent Clearance Sonar System: Calibration”*
- 2017 Prius Prime:  
*Audio/Visual/Telematics – Park Assist/Monitoring – “Park Assist / Monitoring: Intelligent Clearance Sonar System: Calibration”*

18. Using Techstream, perform a Health Check and clear ANY DTCs.

19. Test drive the vehicle to confirm normal operation of the vehicle and the active grille shutter.