

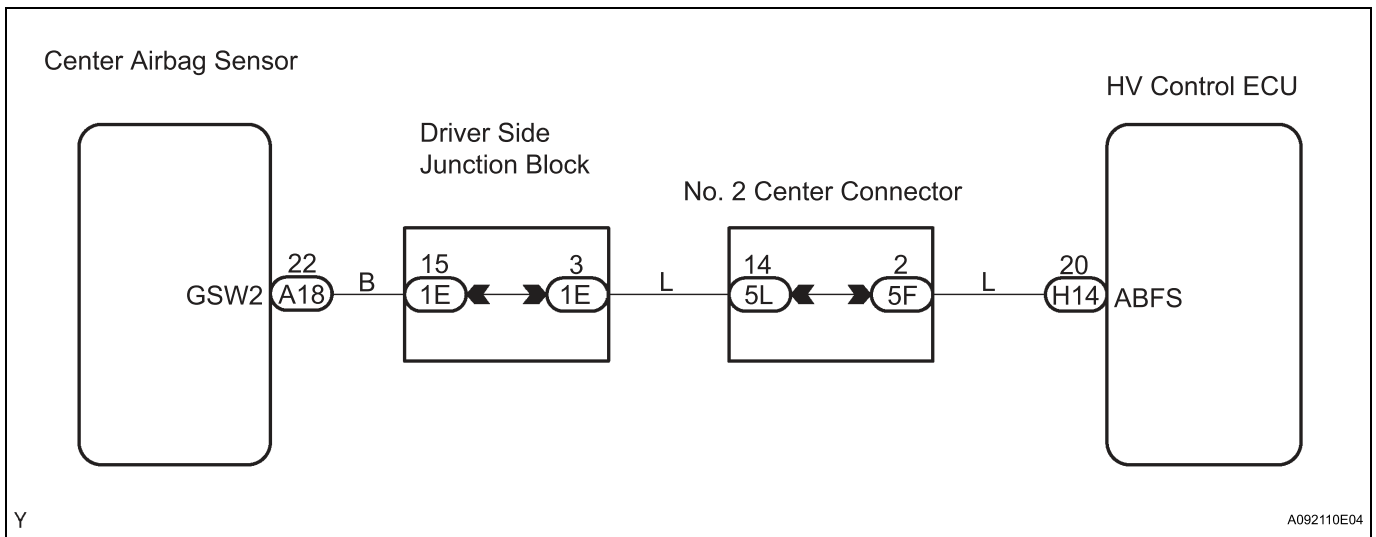
<b>DTC</b>	<b>P3107-213</b>	<b>Airbag ECU Communication Circuit Malfunction</b>
<b>DTC</b>	<b>P3107-214</b>	<b>Airbag ECU Communication Circuit Malfunction</b>
<b>DTC</b>	<b>P3107-215</b>	<b>Airbag ECU Communication Circuit Malfunction</b>

**DESCRIPTION**

The HV control ECU detects a malfunction of the collision signal circuit from the center airbag sensor and gives warning to the driver.

DTC No.	INF Code	DTC Detection Condition	Trouble Area
P3107	213	GND short in communication circuit between center airbag sensor and HV control ECU	<ul style="list-style-type: none"> <li>• Wire harness or connector</li> <li>• Center airbag sensor</li> </ul>
P3107	214	Open or +B short in communication circuit between center airbag sensor and HV control ECU	<ul style="list-style-type: none"> <li>• Wire harness or connector</li> <li>• Center airbag sensor</li> </ul>
P3107	215	Abnormal communication signals between center airbag sensor and HV control ECU	<ul style="list-style-type: none"> <li>• Wire harness or connector</li> <li>• Center airbag sensor</li> </ul>

**WIRING DIAGRAM**



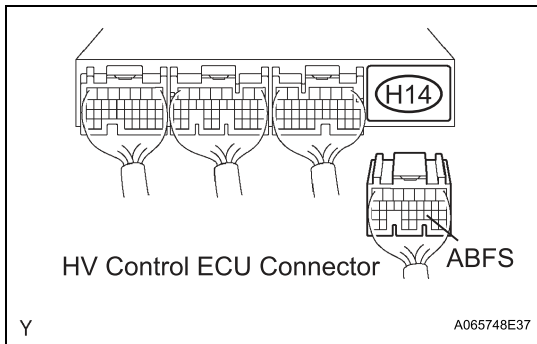
Y

A092110E04

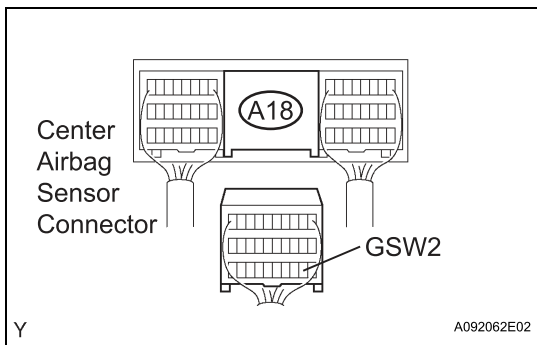
**HV**

**INSPECTION PROCEDURE**

**1 CHECK HARNESS AND CONNECTOR (HYBRID VEHICLE CONTROL ECU - CENTER AIRBAG SENSOR)**



(a) Disconnect the H14 HV control ECU connector.



- (b) Disconnect the A18 center airbag sensor connector.
- (c) Turn the power switch ON (IG).
- (d) Measure the voltage between the terminal of the HV control ECU connector and body ground.

**Standard voltage**

Tester Connection	Specified Condition
ABFS (H14-20) - Body ground	Below 1 V

- (e) Turn the power switch OFF.
- (f) Measure the resistance between the wire harness side connectors.

**Standard resistance (Check for open)**

Tester Connection	Specified Condition
ABFS (H14-20) - GSW2 (A18-22)	Below 1 Ω

**Standard resistance (Check for short)**

Tester Connection	Specified Condition
ABFS (H14-20) or GSW2 (A18-22) - Body ground	10 kΩ higher

- (g) Reconnect the center airbag sensor connector.
- (h) Reconnect the HV control ECU connector.

**NG** **REPAIR OR REPLACE HARNESS OR CONNECTOR**

**OK**

**REPLACE CENTER AIRBAG SENSOR**

**HV**