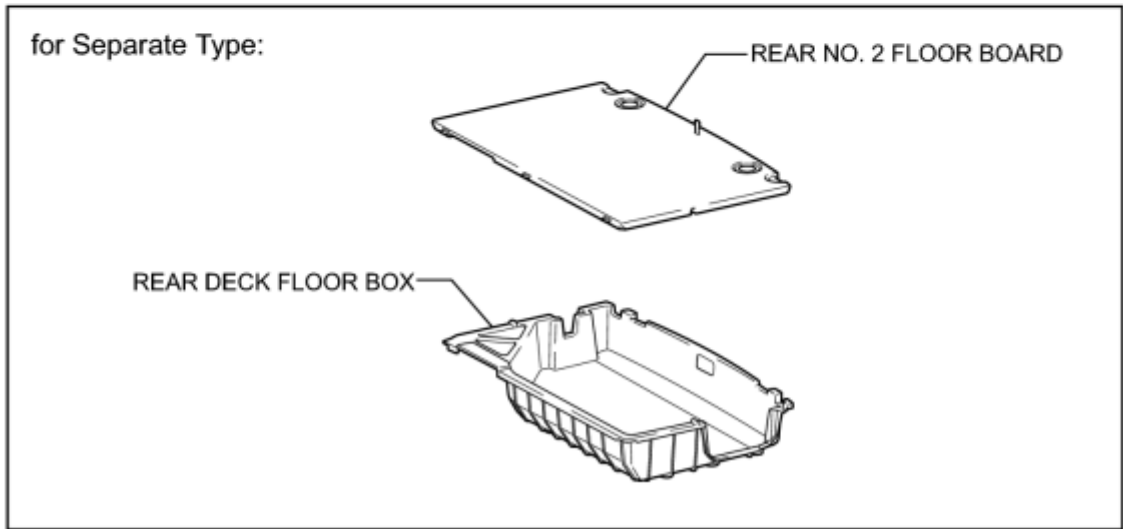
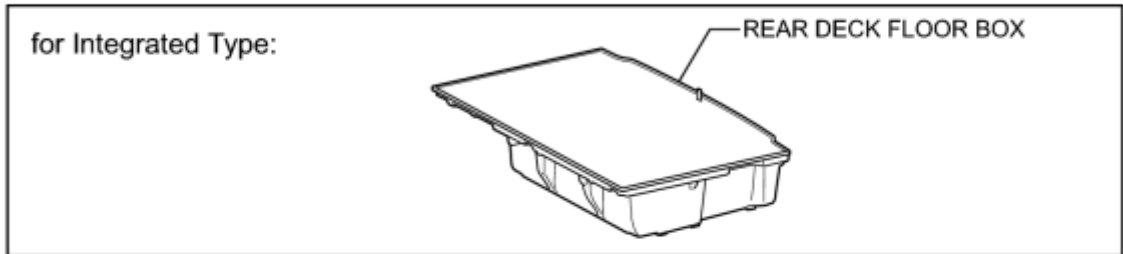
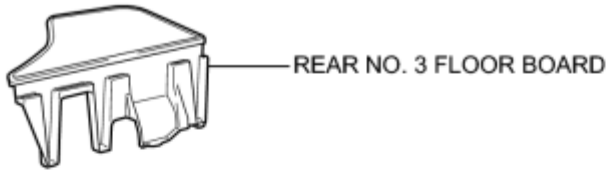


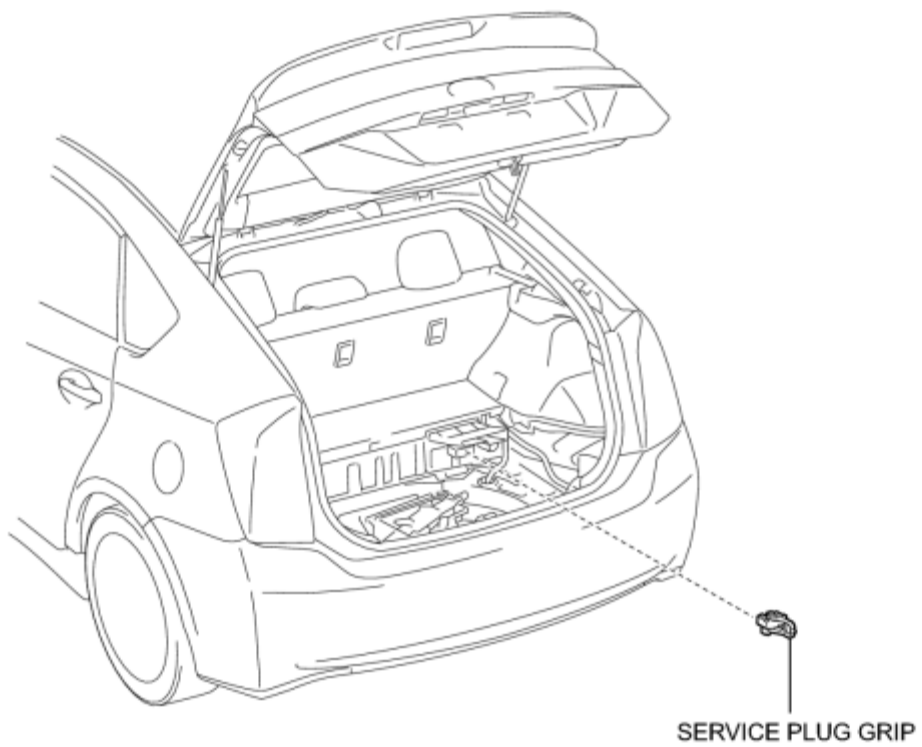
COMPONENTS

ILLUSTRATION



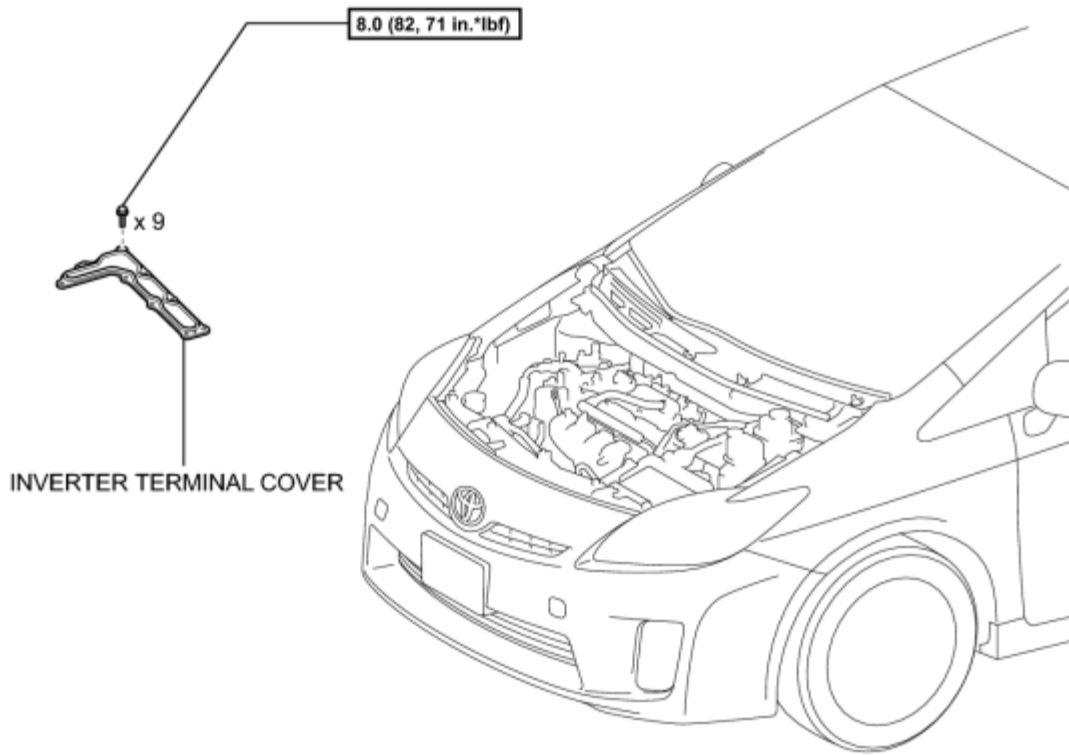
P

ILLUSTRATION



P

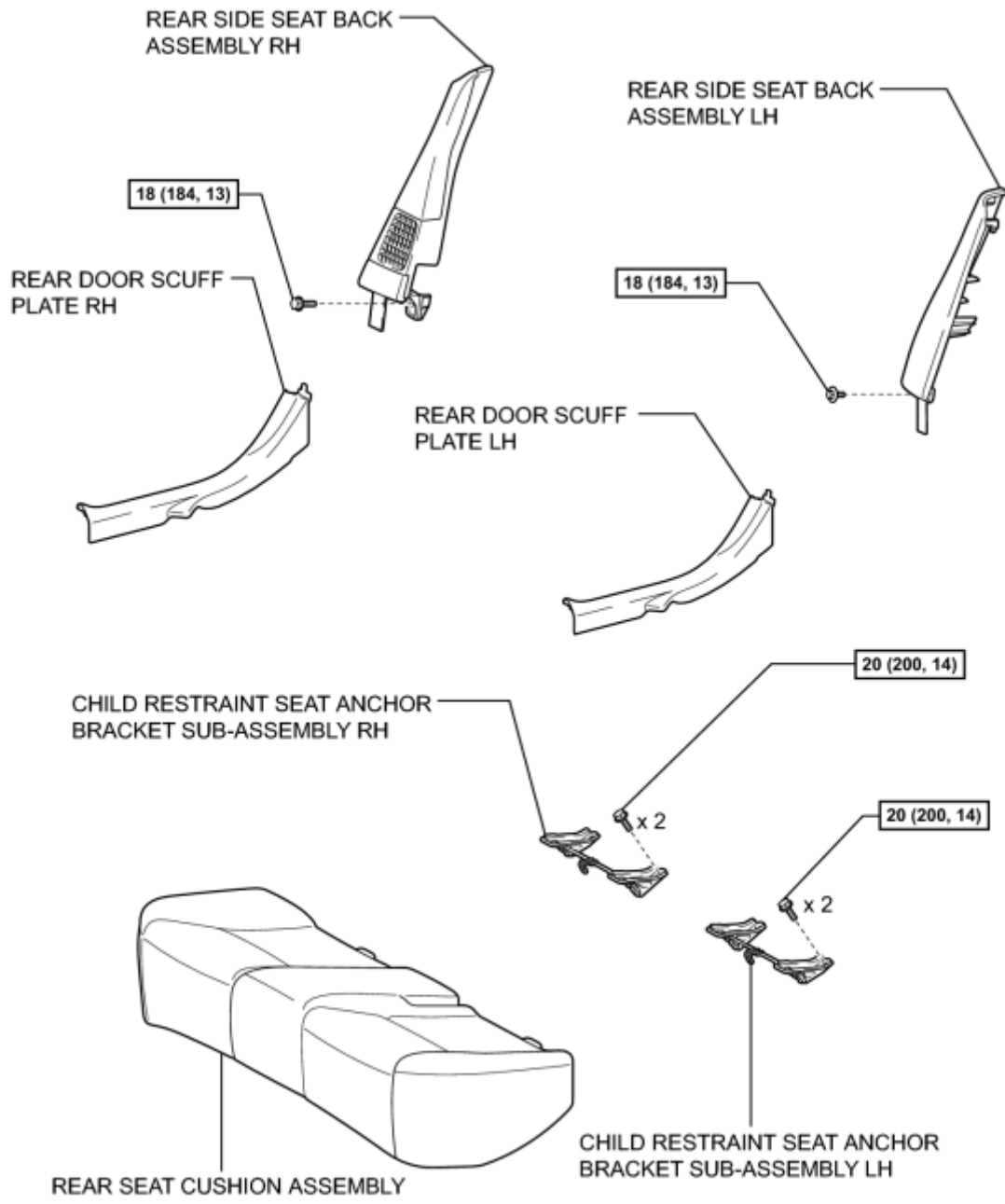
ILLUSTRATION



N*m (kgf*cm, ft.*lbf): Specified torque

c

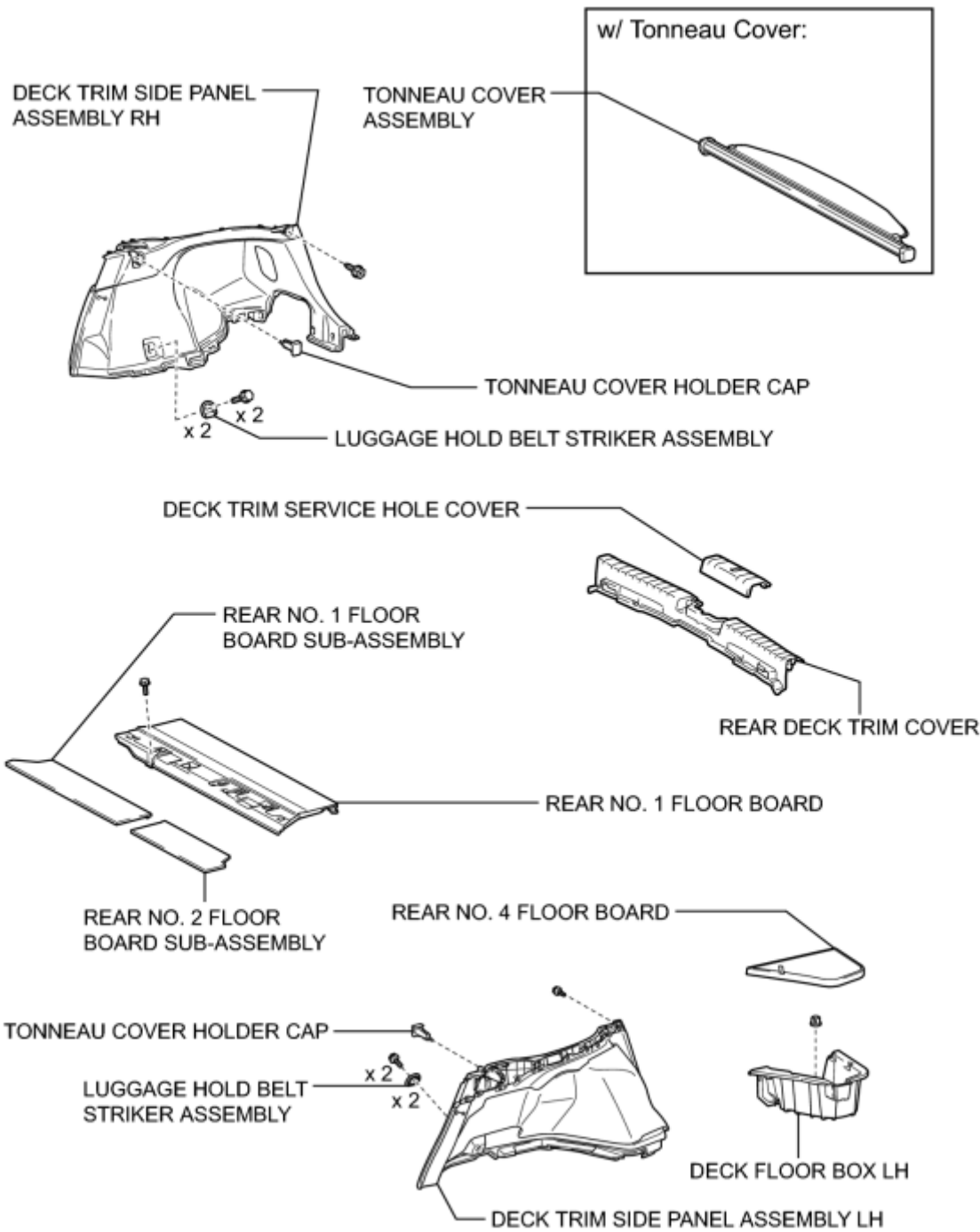
ILLUSTRATION



N*m (kgf*cm, ft.*lbf): Specified torque

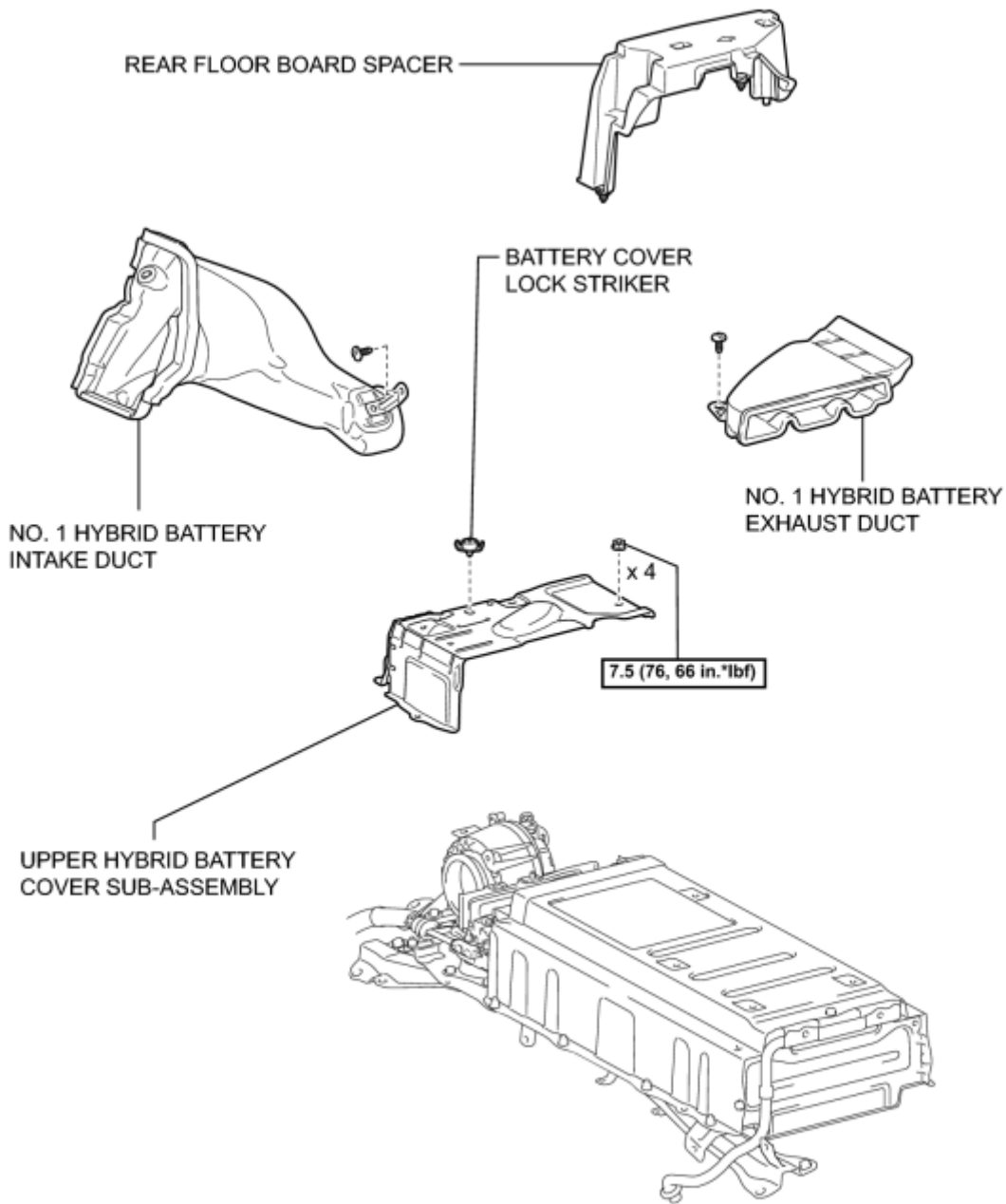
P

ILLUSTRATION



P

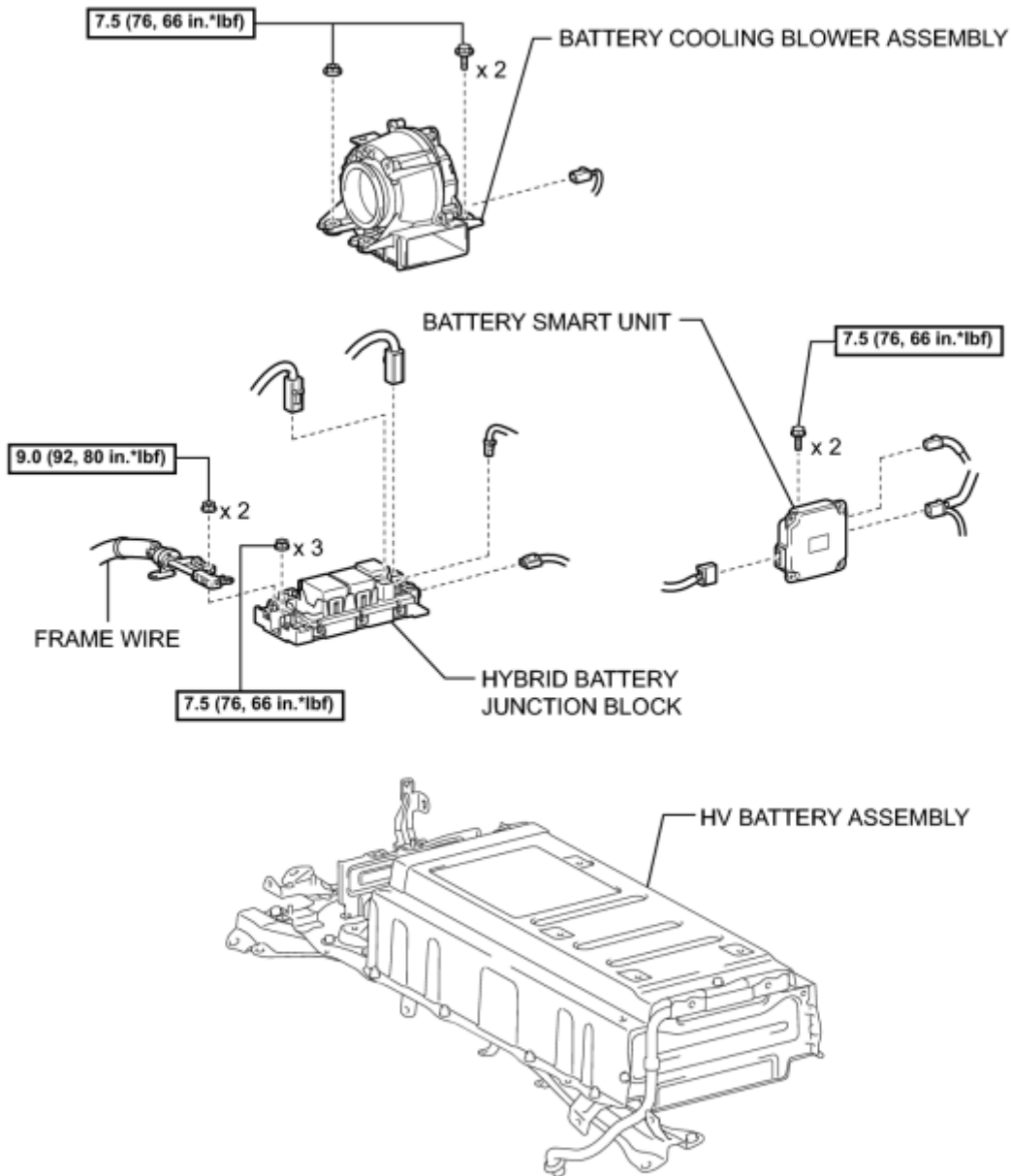
ILLUSTRATION



N*m (kgf*cm, ft.*lbf): Specified torque

P

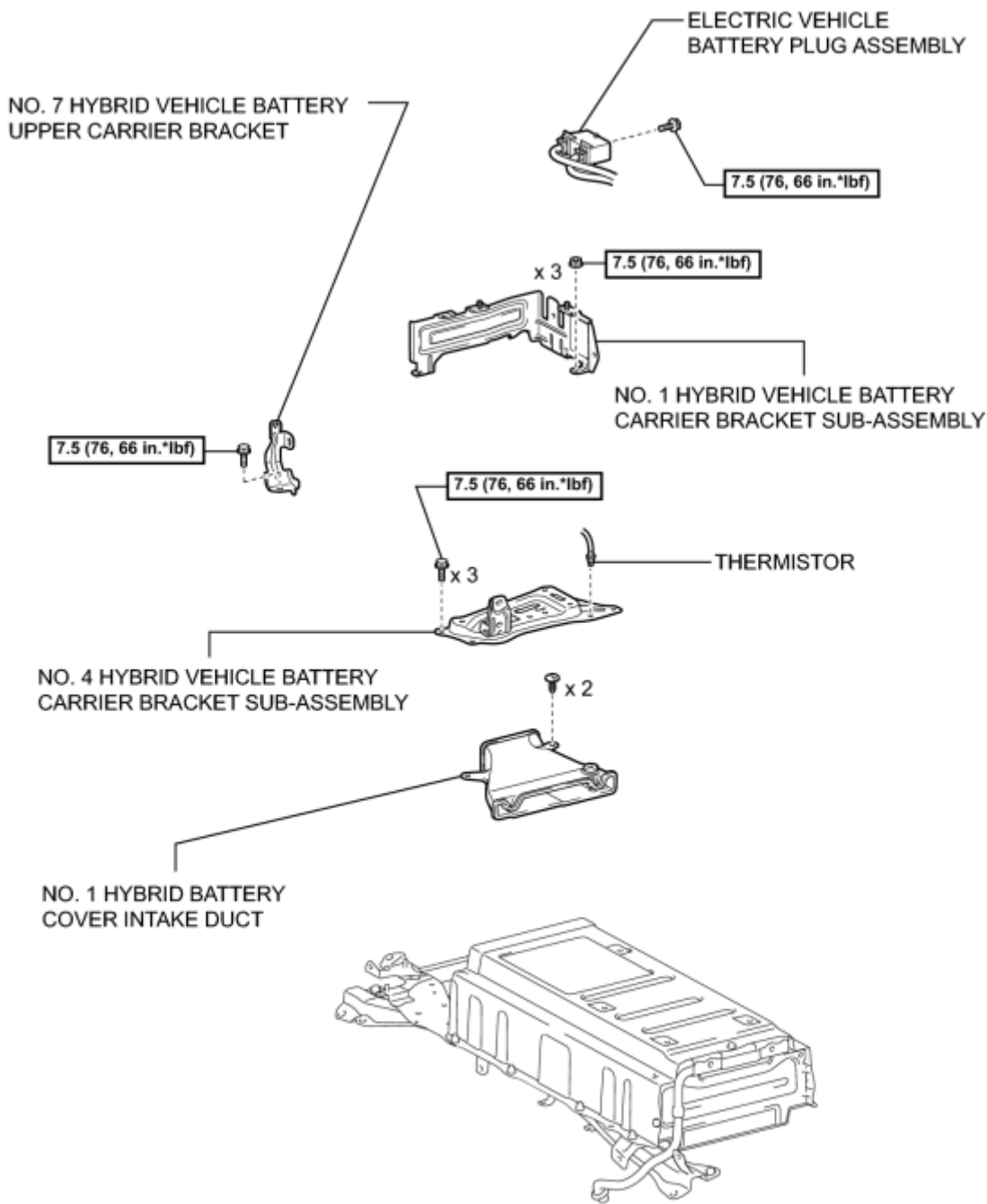
ILLUSTRATION



N*m (kgf*cm, ft.*lbf): Specified torque

P

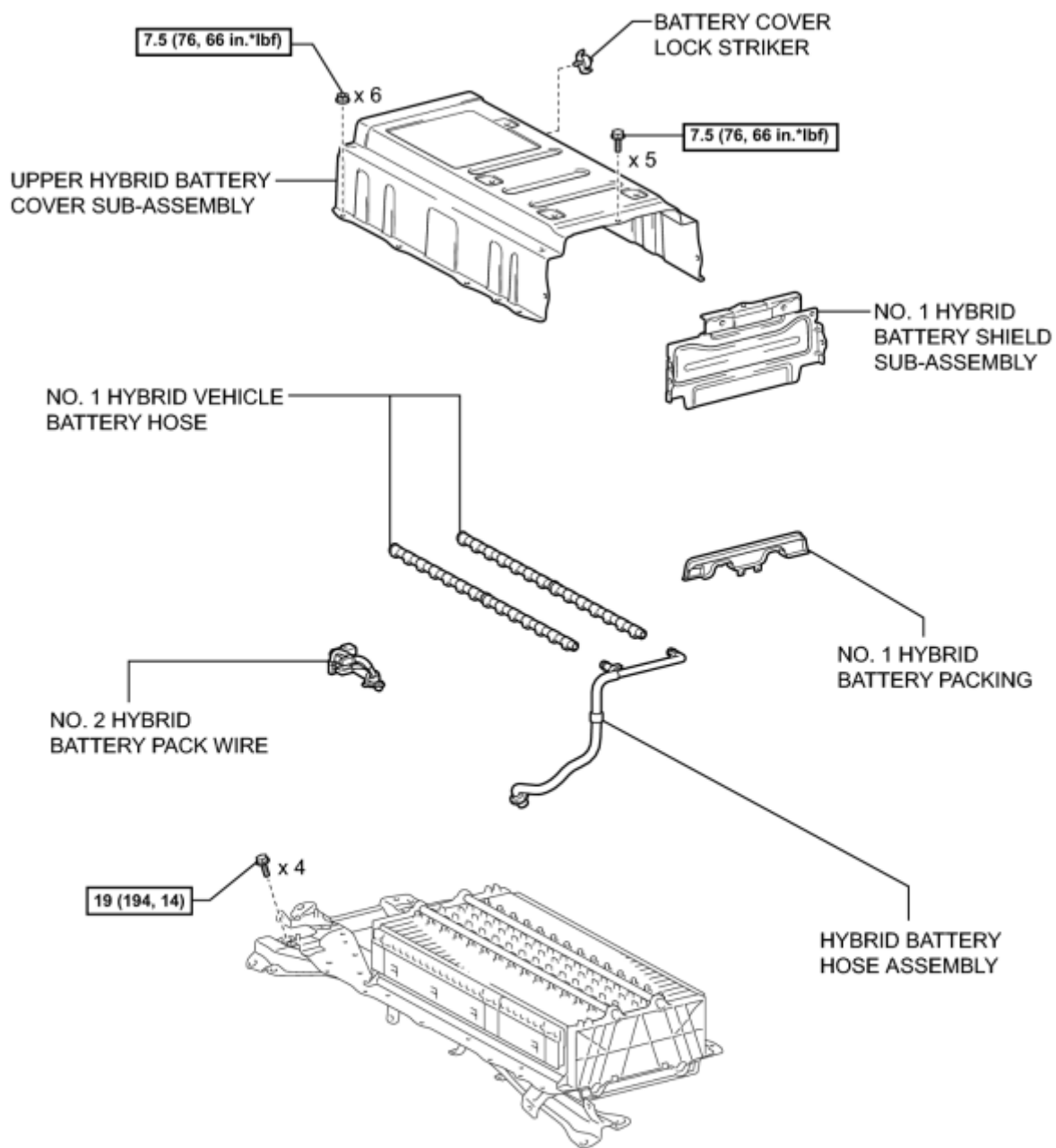
ILLUSTRATION



N*m (kgf*cm, ft.*lbf): Specified torque

P

ILLUSTRATION



N*m (kgf*cm, ft.*lbf): Specified torque

P

REMOVAL

1. PRECAUTION

HINT: [INFO](#).

2. READ OUTPUT DTC

(a) Check for DTCs [INFO](#).

NOTICE:

Check for DTCs and confirm that P0AA6 (Hybrid Battery Voltage System Isolation Fault) is not output before doing removal or installation inside the battery. If this DTC is output, perform troubleshooting for this DTC first.

3. REMOVE REAR NO. 2 FLOOR BOARD (for Separate Type) [INFO](#)

4. REMOVE REAR DECK FLOOR BOX [INFO](#)

5. REMOVE REAR NO. 3 FLOOR BOARD [INFO](#)

6. DISCONNECT CABLE FROM NEGATIVE BATTERY TERMINAL

NOTICE:

When disconnecting the cable, some systems need to be initialized after the cable is reconnected [INFO](#).

7. REMOVE SERVICE PLUG GRIP [INFO](#)

8. REMOVE INVERTER TERMINAL COVER [INFO](#)

9. CHECK TERMINAL VOLTAGE [INFO](#)

10. INSTALL INVERTER TERMINAL COVER [INFO](#)

11. REMOVE TONNEAU COVER ASSEMBLY (w/ Tonneau Cover) [INFO](#)

12. REMOVE REAR SEAT CUSHION ASSEMBLY [INFO](#)

13. REMOVE REAR NO. 1 FLOOR BOARD SUB-ASSEMBLY [INFO](#)

14. REMOVE REAR NO. 2 FLOOR BOARD SUB-ASSEMBLY [INFO](#)

15. REMOVE REAR NO. 1 FLOOR BOARD [INFO](#)

16. REMOVE REAR DOOR SCUFF PLATE LH [INFO](#)

17. REMOVE REAR DOOR SCUFF PLATE RH

HINT:

Use the same procedure described for the LH side.

18. REMOVE REAR SIDE SEAT BACK ASSEMBLY LH_ INFO

19. REMOVE REAR SIDE SEAT BACK ASSEMBLY RH_ INFO

20. REMOVE REAR NO. 4 FLOOR BOARD_ INFO

21. REMOVE DECK FLOOR BOX LH_ INFO

22. REMOVE DECK TRIM SERVICE HOLE COVER_ INFO

23. REMOVE REAR DECK TRIM COVER_ INFO

24. REMOVE LUGGAGE HOLD BELT STRIKER ASSEMBLY (for LH Side)_ INFO

25. REMOVE TONNEAU COVER HOLDER CAP (for LH Side)_ INFO

26. REMOVE DECK TRIM SIDE PANEL ASSEMBLY LH_ INFO

27. REMOVE TONNEAU COVER HOLDER CAP (for RH Side)

HINT:

Use the same procedure described for the LH side.

28. REMOVE LUGGAGE HOLD BELT STRIKER ASSEMBLY (for RH Side)

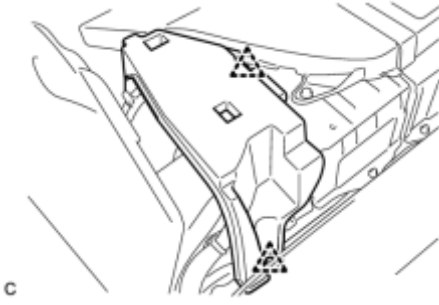
HINT:

Use the same procedure described for the LH side.

29. REMOVE DECK TRIM SIDE PANEL ASSEMBLY RH_ INFO

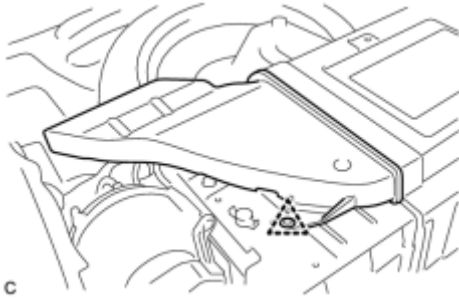
30. REMOVE REAR FLOOR BOARD SPACER

- (a) Remove the 2 clips and rear floor board spacer.



c

31. REMOVE NO. 1 HYBRID BATTERY EXHAUST DUCT



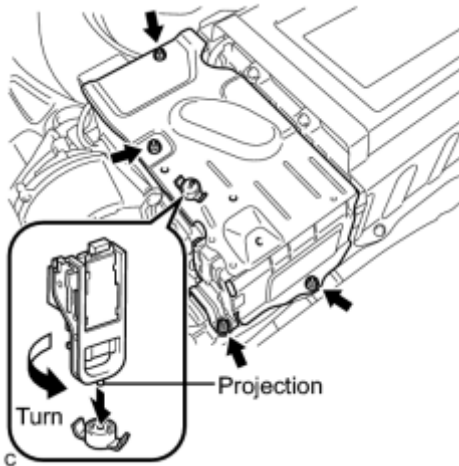
c

(a) Remove the clip and No. 1 hybrid battery exhaust duct.

32. REMOVE UPPER HYBRID BATTERY COVER SUB-ASSEMBLY

CAUTION:

Be sure to wear insulated gloves and protective goggles.



c

(a) Using the service plug grip, remove the battery cover lock striker.

HINT:

Insert the projection part of the service plug grip, and turn the button of the battery cover lock striker counterclockwise, and release the lock.

(b) Remove the 4 nuts and upper hybrid battery cover sub-assembly.

33. REMOVE NO. 1 HYBRID BATTERY INTAKE DUCT

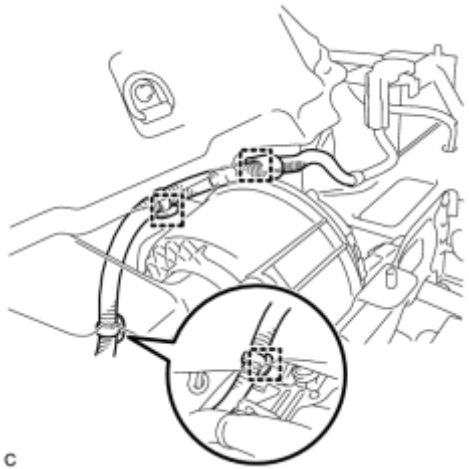
(a) Remove the 2 clips and No. 1 hybrid battery intake duct.



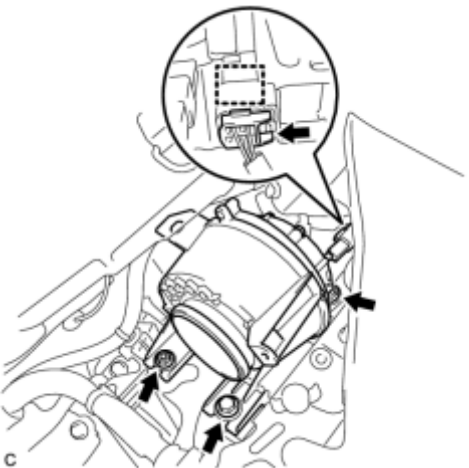
34. REMOVE BATTERY COOLING BLOWER ASSEMBLY

NOTICE:

- Be sure not to touch the fan part of the battery cooling blower assemblies.
- Do not lift the battery cooling blower assemblies using the wire harness.



(a) Disconnect the 3 wire harness clamps.

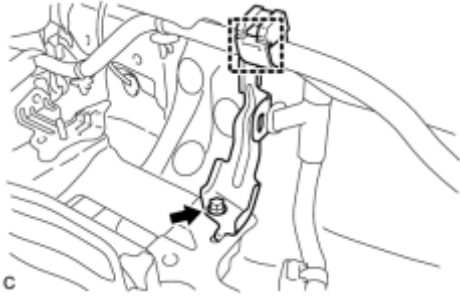


(b) Disconnect the battery cooling blower assembly connector and clamp.

(c) Remove the 2 bolts, nut and battery cooling blower assembly.

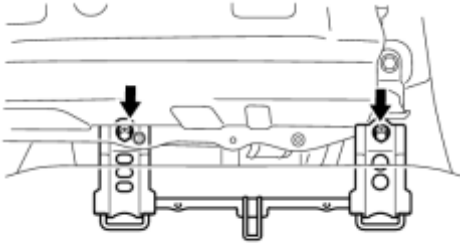
35. REMOVE NO. 7 HYBRID VEHICLE BATTERY UPPER CARRIER BRACKET

(a) Disconnect the wire harness clamp.



(b) Remove the bolt and No. 7 hybrid battery upper carrier bracket.

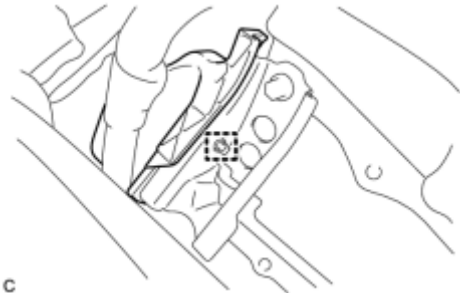
36. REMOVE CHILD RESTRAINT SEAT ANCHOR BRACKET SUB-ASSEMBLY LH



(a) Remove the 2 bolts and child restraint seat anchor bracket sub-assembly LH.

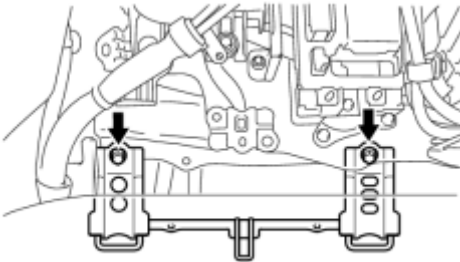
c

37. REMOVE CHILD RESTRAINT SEAT ANCHOR BRACKET SUB-ASSEMBLY RH



(a) Disconnect the wire harness protector clamp.

c



(b) Remove the 2 bolts and child restraint seat anchor bracket sub-assembly RH.

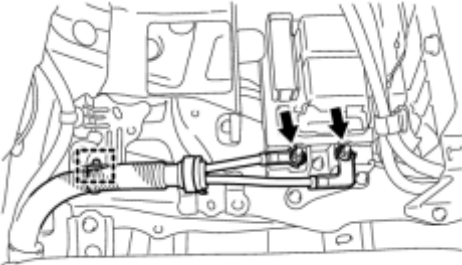
c

38. REMOVE FRAME WIRE

CAUTION:

- Wear insulating gloves.

- Insulate the removed terminals with insulating tape.



(a) Remove the 2 nuts, then disconnect the frame wire from the hybrid battery junction block assembly.

c

(b) Disconnect the clamp and frame wire.

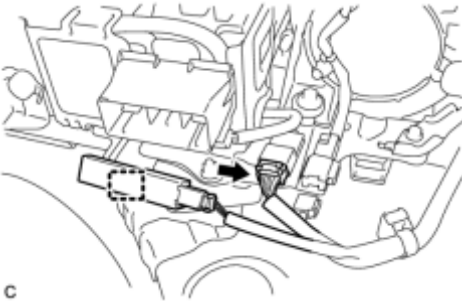
39. REMOVE HV BATTERY ASSEMBLY

CAUTION:

Wear insulating gloves.

NOTICE:

Since the HV battery is very heavy, 2 people are needed to remove the HV battery. When removing the HV battery, do not damage the parts around it.



(a) Disconnect the connector and electrical key oscillator clamp.

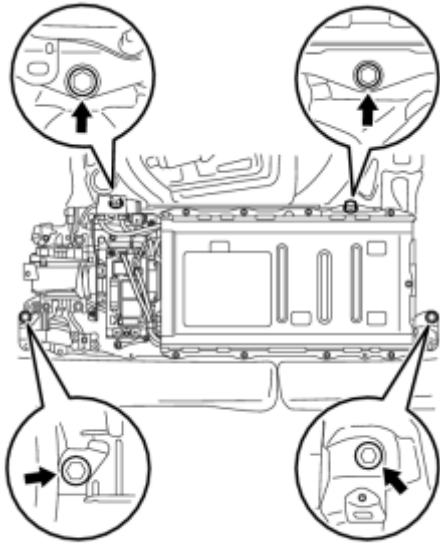
c



(b) Disconnect the battery room ventilation hose from the floor panel.

c

(c) Remove the 4 bolts shown in the illustration.



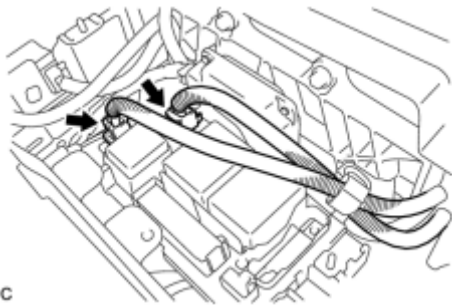
c

(d) Remove the HV battery.

40. REMOVE HYBRID BATTERY JUNCTION BLOCK

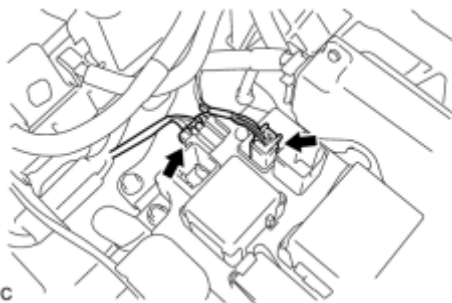
CAUTION:

Wear insulating gloves.



c

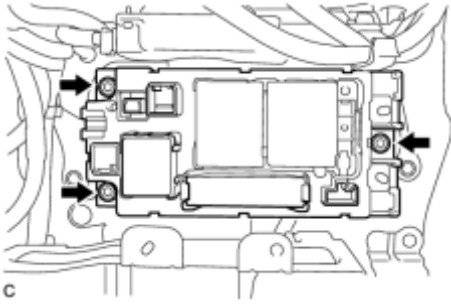
(a) Disconnect the 2 connectors from the hybrid battery junction block.



c

(b) Disconnect the 2 connectors from the hybrid battery junction block.

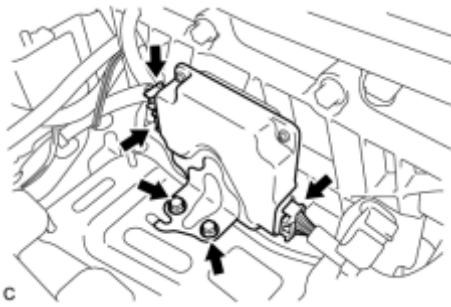
(c) Remove the 3 nuts and hybrid battery junction block.



41. REMOVE BATTERY SMART UNIT

CAUTION:

Wear insulating gloves.



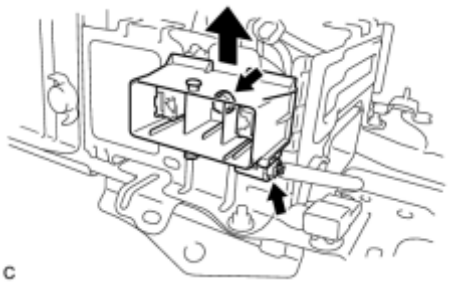
(a) Disconnect the 3 connectors.

(b) Remove the 2 nuts and battery smart unit.

42. REMOVE NO. 1 HYBRID VEHICLE BATTERY CARRIER BRACKET SUB-ASSEMBLY

CAUTION:

Wear insulating gloves.

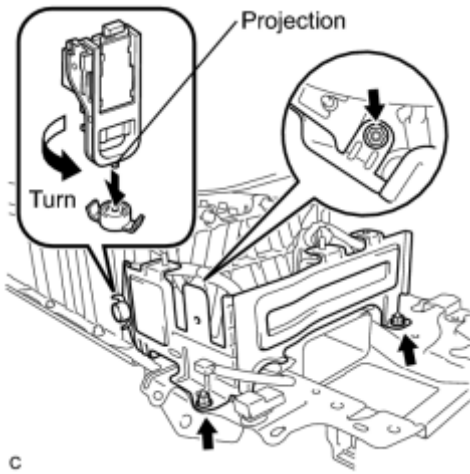


(a) Disconnect the connector.

(b) Remove the bolt and EV battery plug as shown in the illustration.

(c) Using the service plug grip, remove the battery cover lock striker.

HINT:



Insert the projection part of the service plug grip, and turn the button of the battery cover lock striker counterclockwise, and release the lock.

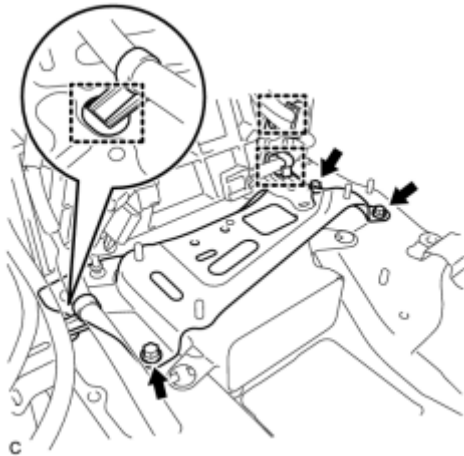
c

(d) Remove the 3 nuts and No. 1 hybrid vehicle battery carrier bracket sub-assembly.

43. REMOVE NO. 4 HYBRID VEHICLE BATTERY CARRIER BRACKET SUB-ASSEMBLY

CAUTION:

Wear insulating gloves.



(a) Disconnect the 3 wire harness clamps.

c

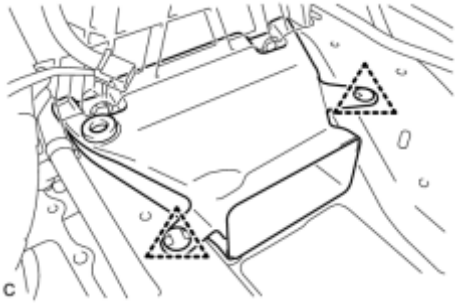
(b) Remove the 3 bolts and No. 4 hybrid vehicle battery carrier bracket sub-assembly.



(c) Disengage the 2 claws and remove the HV battery thermistor.

c

44. REMOVE NO. 1 HYBRID BATTERY COVER INTAKE DUCT

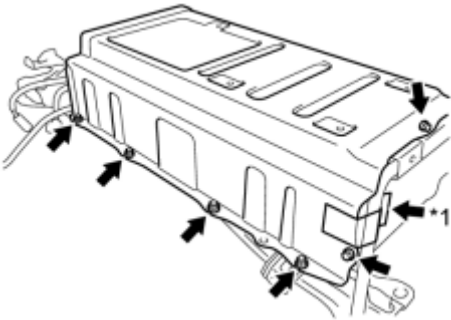


(a) Remove the 2 clips and No. 1 hybrid battery cover intake duct.

45. REMOVE UPPER HYBRID BATTERY COVER SUB-ASSEMBLY

CAUTION:

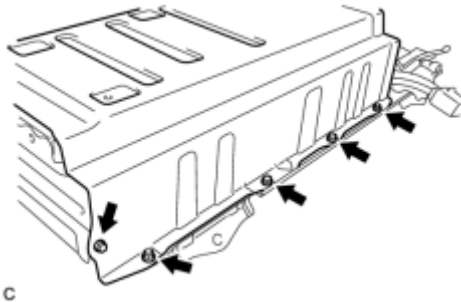
Be sure to wear insulated gloves and protective goggles.



(a) Remove the tape.

Text in Illustration

*1	Tape
----	------



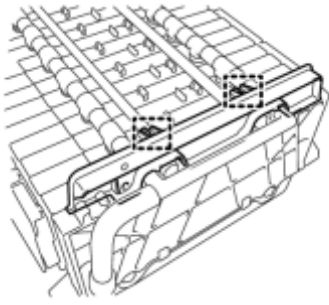
(b) Remove the 5 bolts, 6 nuts and battery cover with the No. 1 hybrid battery shield sub-assembly.

46. REMOVE NO. 1 HYBRID BATTERY PACKING

CAUTION:

Be sure to wear insulated gloves and protective goggles.

(a) Remove the 2 clamps and No. 1 hybrid battery packing.

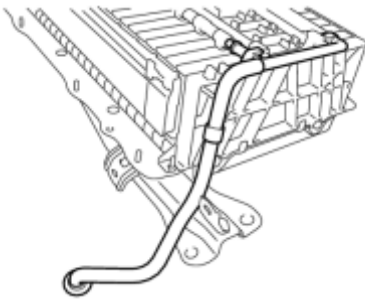


c

47. REMOVE HYBRID BATTERY HOSE ASSEMBLY

CAUTION:

Be sure to wear insulated gloves and protective goggles.



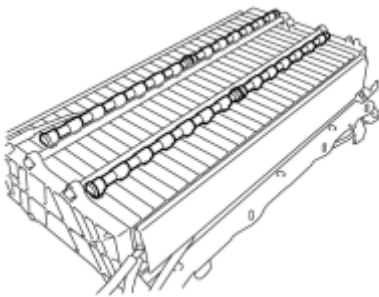
c

(a) Remove the hybrid battery hose assembly from the HV battery.

48. REMOVE NO. 1 HYBRID VEHICLE BATTERY HOSE

CAUTION:

Be sure to wear insulated gloves and protective goggles.

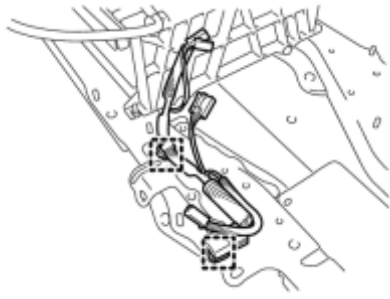


c

(a) Remove the 2 No. 1 hybrid vehicle battery hoses from the HV battery.

49. REMOVE NO. 2 HYBRID BATTERY PACK WIRE

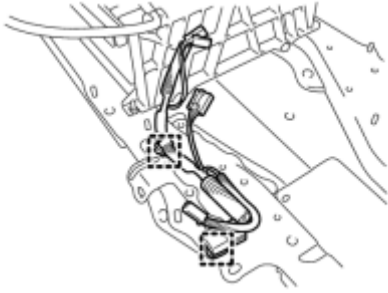
(a) Disconnect the 2 clamps, then remove the No. 2 hybrid battery pack wire.



C

INSTALLATION

1. INSTALL NO. 2 HYBRID BATTERY PACK WIRE

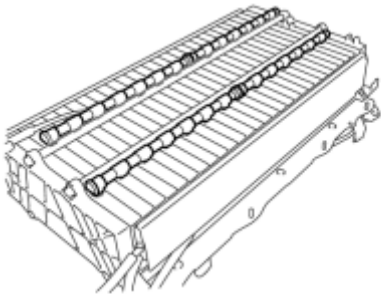


(a) Connect the 2 clamps and No. 2 hybrid battery pack wire.

2. INSTALL NO. 1 HYBRID VEHICLE BATTERY HOSE

CAUTION:

Be sure to wear insulated gloves and protective goggles.

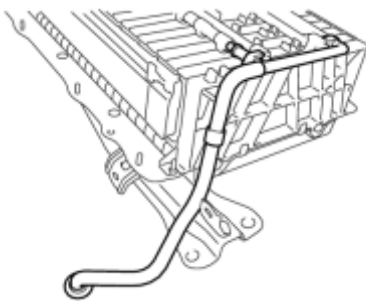


(a) Install the 2 No. 1 hybrid vehicle battery hoses to the HV battery.

3. INSTALL HYBRID BATTERY HOSE ASSEMBLY

CAUTION:

Be sure to wear insulated gloves and protective goggles.



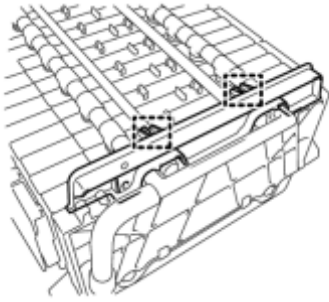
(a) Install the hybrid battery hose assembly to the HV battery.

4. INSTALL NO. 1 HYBRID BATTERY PACKING

CAUTION:

2010 Toyota Prius

Be sure to wear insulated gloves and protective goggles.

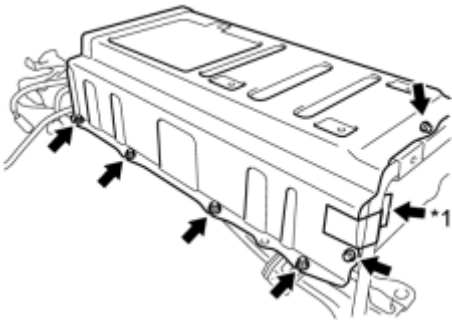


(a) Install the No. 1 hybrid battery packing with the 2 clamps.

5. INSTALL UPPER HYBRID BATTERY COVER SUB-ASSEMBLY

CAUTION:

Be sure to wear insulated gloves and protective goggles.

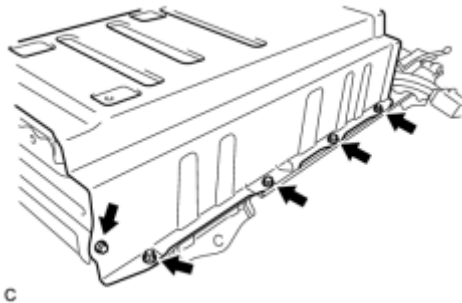


(a) Install the battery cover and No. 1 hybrid battery shield sub-assembly with the 5 bolts and 6 nuts.

Text in Illustration

*1	Tape
----	------

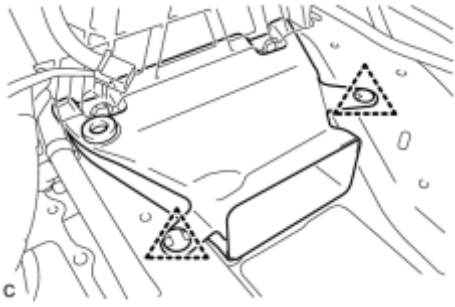
Torque: 7.5 N·m (76 kgf·cm, 66in·lbf)



(b) Install the tape.

6. INSTALL NO. 1 HYBRID BATTERY COVER INTAKE DUCT

(a) Install the No. 1 hybrid battery cover intake duct with the 2 clips.



7. INSTALL NO. 4 HYBRID VEHICLE BATTERY CARRIER BRACKET SUB-ASSEMBLY

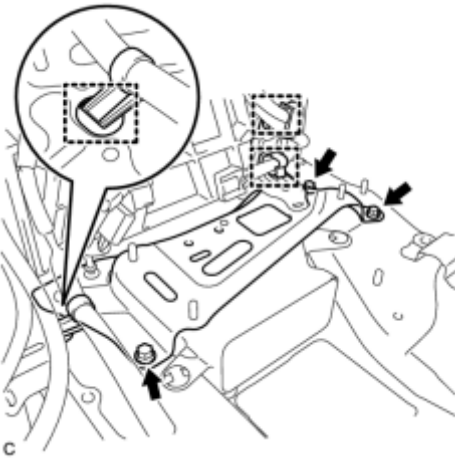
CAUTION:

Wear insulated gloves.



(a) Install the HV battery thermistor to the No. 4 hybrid vehicle battery carrier bracket sub-assembly.

c



(b) Install the No. 4 hybrid vehicle battery carrier bracket sub-assembly with the 3 bolts.

Torque: 7.5 N·m (76 kgf·cm, 66in·lbf)

(c) Connect the 3 wire harness clamps.

8. INSTALL NO. 1 HYBRID VEHICLE BATTERY CARRIER BRACKET SUB-ASSEMBLY

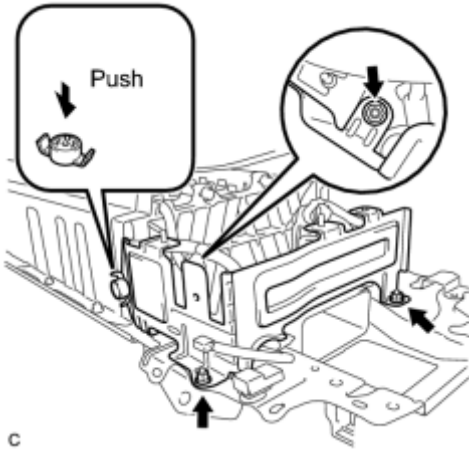
CAUTION:

Wear insulated gloves.

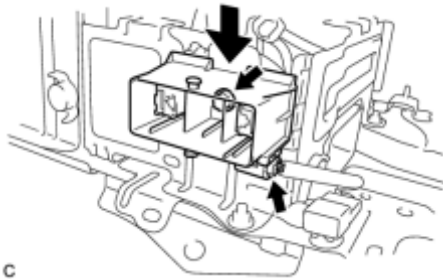
(a) Install the No. 1 hybrid vehicle battery carrier bracket sub-assembly

with the 3 nuts.

Torque: **7.5 N·m (76 kgf·cm, 66in·lbf)**



(b) Install the battery cover lock striker, then push the button to lock it.



(c) Install the electric vehicle battery plug assembly with the bolt as shown in the illustration.

Torque: **7.5 N·m (76 kgf·cm, 66in·lbf)**

(d) Connect the connector.

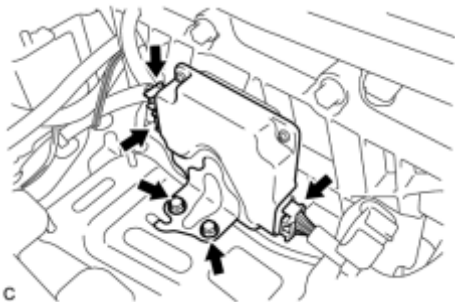
NOTICE:

The connector should be connected securely.

9. INSTALL BATTERY SMART UNIT

CAUTION:

Wear insulated gloves.



(a) Install the battery smart unit with the 2 bolts.

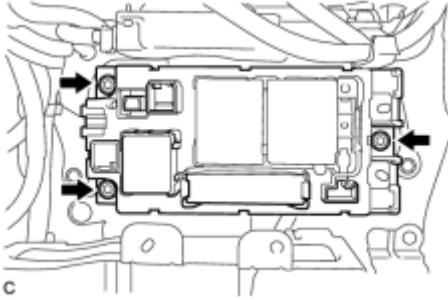
Torque: **7.5 N·m (76 kgf·cm, 66in·lbf)**

(b) Connect the 3 connectors.

NOTICE:

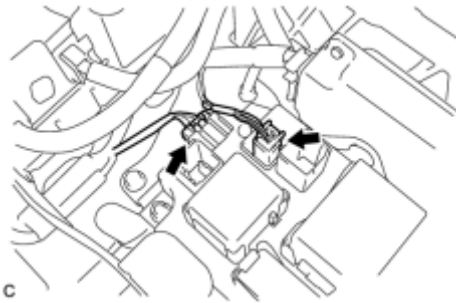
The connectors should be connected securely.

10. INSTALL HYBRID BATTERY JUNCTION BLOCK



(a) Install the hybrid battery junction block with the 3 nuts.

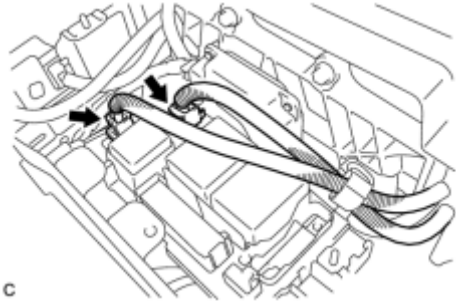
Torque: 7.5 N·m (76 kgf·cm, 66in·lbf)



(b) Connect the 2 connectors to the hybrid battery junction block.

NOTICE:

The connectors should be connected securely.



(c) Connect the 2 connectors to the hybrid battery junction block.

NOTICE:

The connectors should be connected securely.

11. INSTALL HV BATTERY ASSEMBLY

CAUTION:

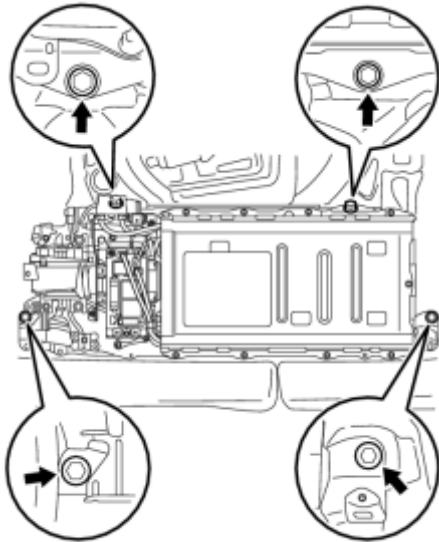
Wear insulated gloves.

NOTICE:

Since the HV battery is very heavy, 2 people are needed to install the HV battery. When installing the HV battery, do not damage the parts around it.

(a) Install the HV battery to the vehicle with the 4 bolts.

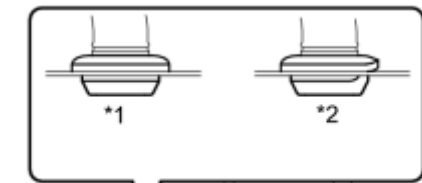
Torque: 19 N·m (194 kgf·cm, 14ft·lbf)



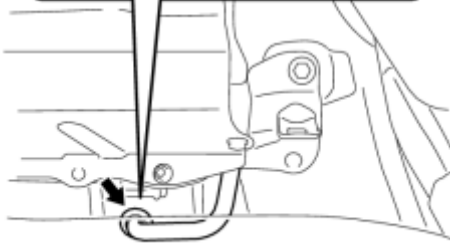
c

(b) Connect the battery room ventilation hose to the floor panel.

Text in Illustration



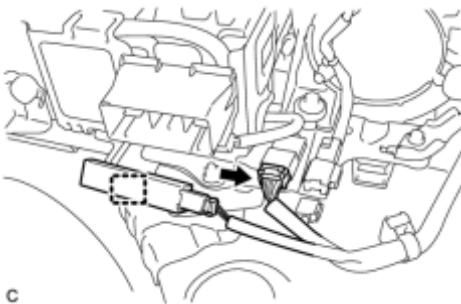
*1	Correct
*2	Incorrect



c

NOTICE:

Make sure that there is no space or gap between the grommet and the body.



c

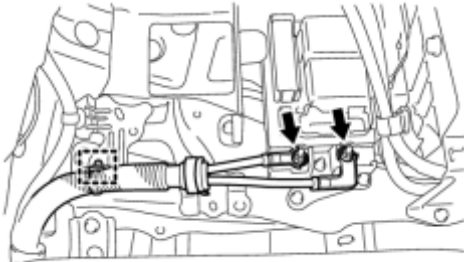
(c) Connect the connector and electrical key oscillator clamp.

12. INSTALL FRAME WIRE

CAUTION:

Wear insulating gloves.

(a) Install the frame wire on the hybrid battery junction block assembly



with the 2 nuts.

Torque: **9.0 N·m (92 kgf·cm, 80in·lbf)**

- Make sure that the ends of the frame wire are not crossed over each other.
- Be sure to connect the frame wires to the correct terminals.

c

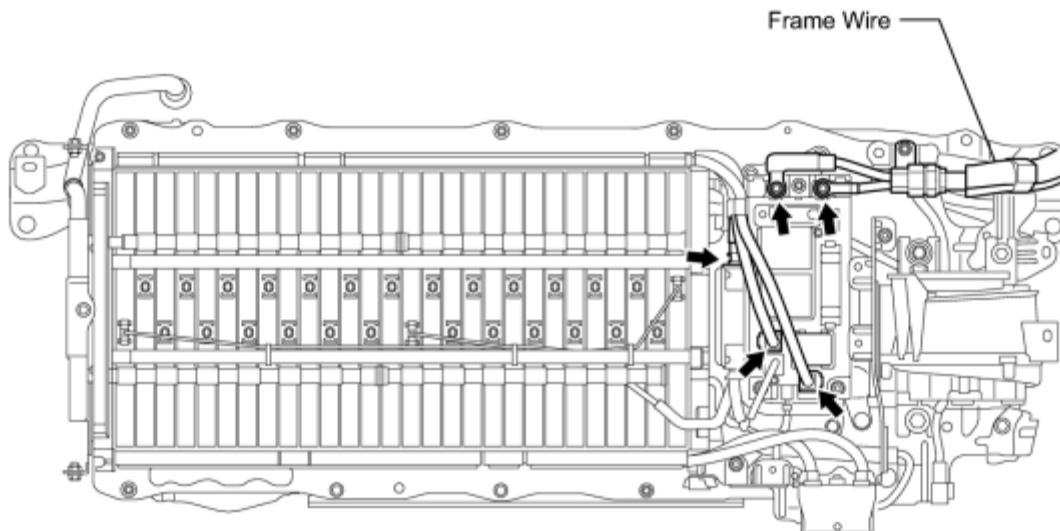
(b) Connect the clamp and frame wire.

13. CHECK HIGH VOLTAGE CABLE CONNECTION CONDITION

CAUTION:

Wear insulated gloves and protective goggles.

(a) Check that each wire harness is being installed securely.

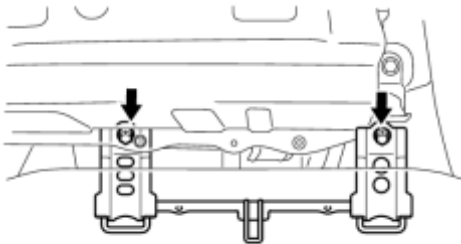


c

NOTICE:

- Make sure that the end of the frame wire are not crossover each other.
- Be sure to connect the frame wire to the correct terminals as shown in the illustration.
- The connectors should be connected securely.
- The nuts should be fastened securely.
- Make sure that the 4 plastic covers are engaged securely.

14. INSTALL CHILD RESTRAINT SEAT ANCHOR BRACKET SUB-ASSEMBLY LH

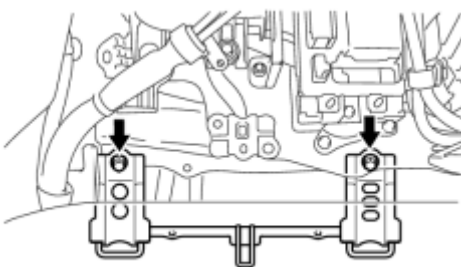


(a) Install the child restraint seat anchor bracket sub-assembly LH with the 2 bolts.

Torque: **20 N·m (200 kgf·cm, 14ft·lbf)**

c

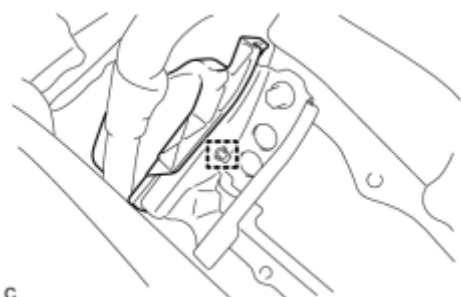
15. INSTALL CHILD RESTRAINT SEAT ANCHOR BRACKET SUB-ASSEMBLY RH



(a) Install the child restraint seat anchor bracket sub-assembly RH with the 2 bolts.

Torque: **20 N·m (200 kgf·cm, 14ft·lbf)**

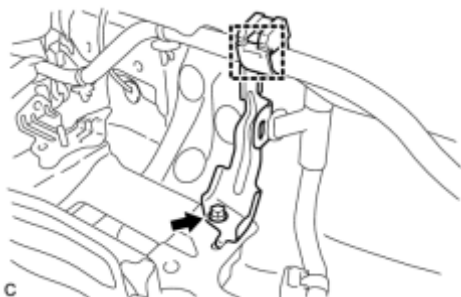
c



(b) Connect the wire harness protector clamp.

c

16. INSTALL NO. 7 HYBRID VEHICLE BATTERY UPPER CARRIER BRACKET



(a) Install the No. 7 hybrid battery upper carrier bracket with the bolt.

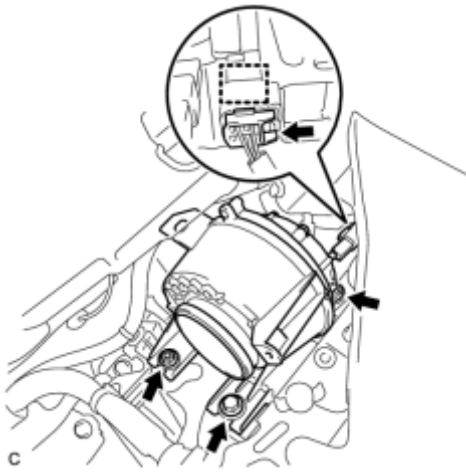
Torque: **7.5 N·m (76 kgf·cm, 66in·lbf)**

c

17. INSTALL BATTERY COOLING BLOWER ASSEMBLY

NOTICE:

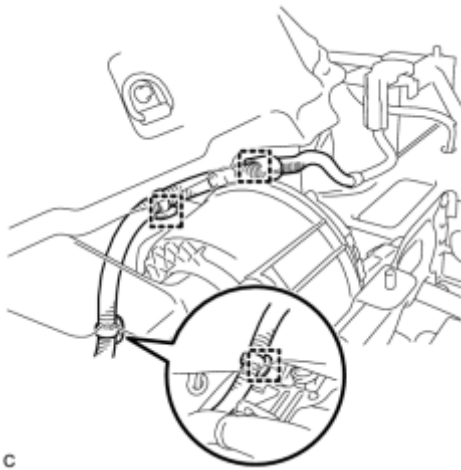
- Be sure not to touch the fan part of the battery cooling blower assemblies.
- Do not lift the battery cooling blower assemblies using the wire harness.



(a) Install the battery cooling blower assembly with the 2 bolts and nut

Torque: **7.5 N·m (76 kgf·cm, 66in·lbf)**

(b) Connect each battery cooling blower assembly connector and clamp.

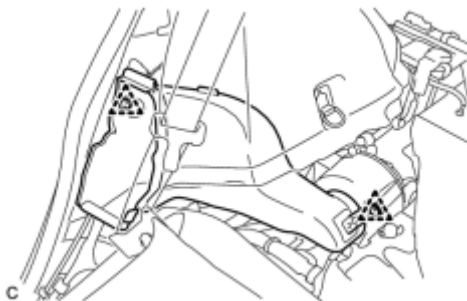


(c) Connect the 3 wire harness clamps.

18. INSTALL NO. 1 HYBRID BATTERY INTAKE DUCT

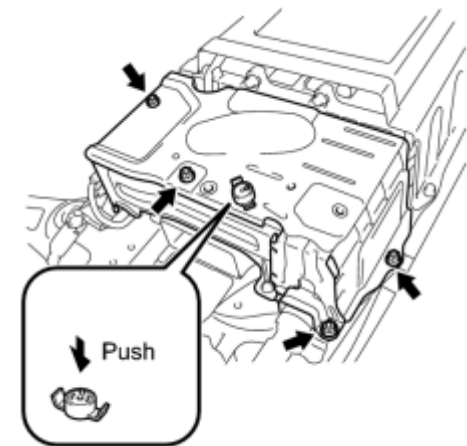
NOTICE:

Ensure that the duct is installed securely.



(a) Install the No. 1 hybrid battery intake duct with the 2 clips.

19. INSTALL UPPER HYBRID BATTERY COVER SUB-ASSEMBLY



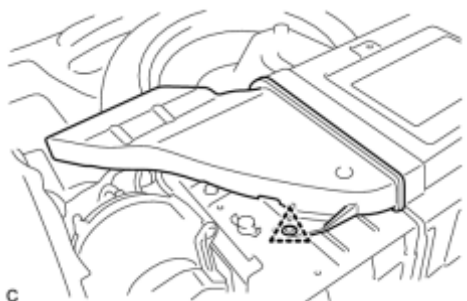
(a) Install the upper hybrid battery cover sub-assembly with the 4 nuts.

Torque: **7.5 N·m (76 kgf·cm, 66in·lbf)**

c

(b) Install the battery cover lock striker, then push the button to lock.

20. INSTALL NO. 1 HYBRID BATTERY EXHAUST DUCT



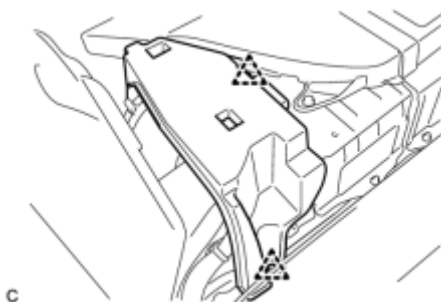
(a) Insert the No. 1 hybrid battery exhaust duct with the clip.

NOTICE:

Ensure that the duct is installed securely.

c

21. INSTALL REAR FLOOR BOARD SPACER



(a) Install the rear floor board spacer with the 2 clips.

c

22. INSTALL DECK TRIM SIDE PANEL ASSEMBLY LH INFO

23. INSTALL TONNEAU COVER HOLDER CAP (for LH Side) INFO

24. INSTALL LUGGAGE HOLD BELT STRIKER ASSEMBLY (for LH Side) INFO

25. INSTALL DECK TRIM SIDE PANEL ASSEMBLY RH_ [INFO](#)

26. REMOVE TONNEAU COVER HOLDER CAP (for RH Side)

HINT:

Use the same procedure described for the LH side.

27. INSTALL LUGGAGE HOLD BELT STRIKER ASSEMBLY (for RH Side)

HINT:

Use the same procedure described for the LH side.

28. INSTALL REAR DECK TRIM COVER_ [INFO](#)

29. INSTALL DECK TRIM SERVICE HOLE COVER_ [INFO](#)

30. INSTALL DECK FLOOR BOX LH_ [INFO](#)

31. INSTALL REAR NO. 4 FLOOR BOARD_ [INFO](#)

32. INSTALL REAR SIDE SEAT BACK ASSEMBLY LH_ [INFO](#)

33. INSTALL REAR SIDE SEAT BACK ASSEMBLY RH_ [INFO](#)

34. INSTALL REAR DOOR SCUFF PLATE LH_ [INFO](#)

35. INSTALL REAR DOOR SCUFF PLATE RH

HINT:

Use the same procedure described for the LH side.

36. INSTALL REAR NO. 1 FLOOR BOARD_ [INFO](#)

37. INSTALL REAR NO. 2 FLOOR BOARD SUB-ASSEMBLY_ [INFO](#)

38. INSTALL REAR NO. 1 FLOOR BOARD SUB-ASSEMBLY_ [INFO](#)


39. INSTALL REAR SEAT CUSHION ASSEMBLY_ [INFO](#)


40. INSTALL TONNEAU COVER ASSEMBLY (w/ Tonneau Cover)_ [INFO](#)

41. INSTALL SERVICE PLUG GRIP_ [INFO](#)

42. CONNECT CABLE TO NEGATIVE BATTERY TERMINAL

NOTICE:

When disconnecting the cable, some systems need to be initialized after the cable is reconnected .

43. INSTALL REAR NO. 3 FLOOR BOARD .

44. INSTALL REAR DECK FLOOR BOX .

45. INSTALL REAR NO. 2 FLOOR BOARD (for Separate Type) .