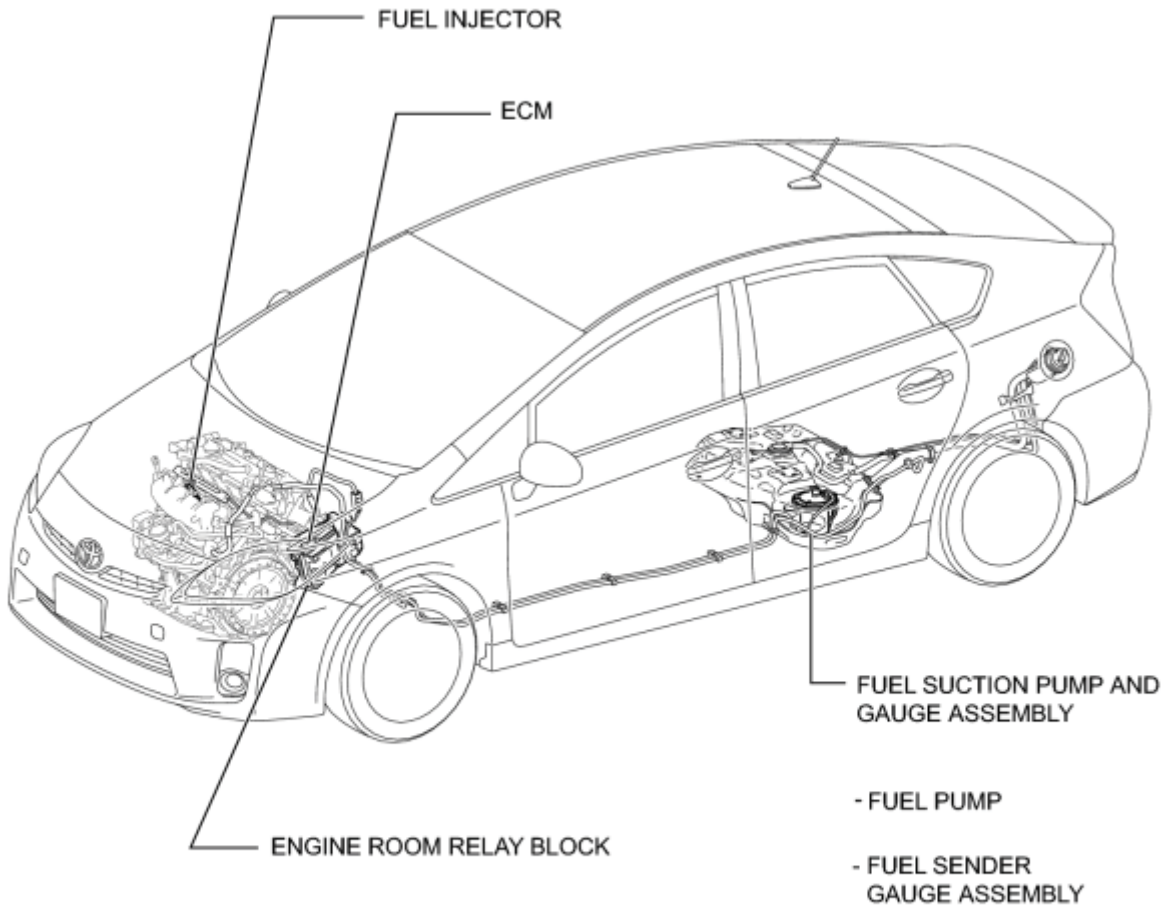


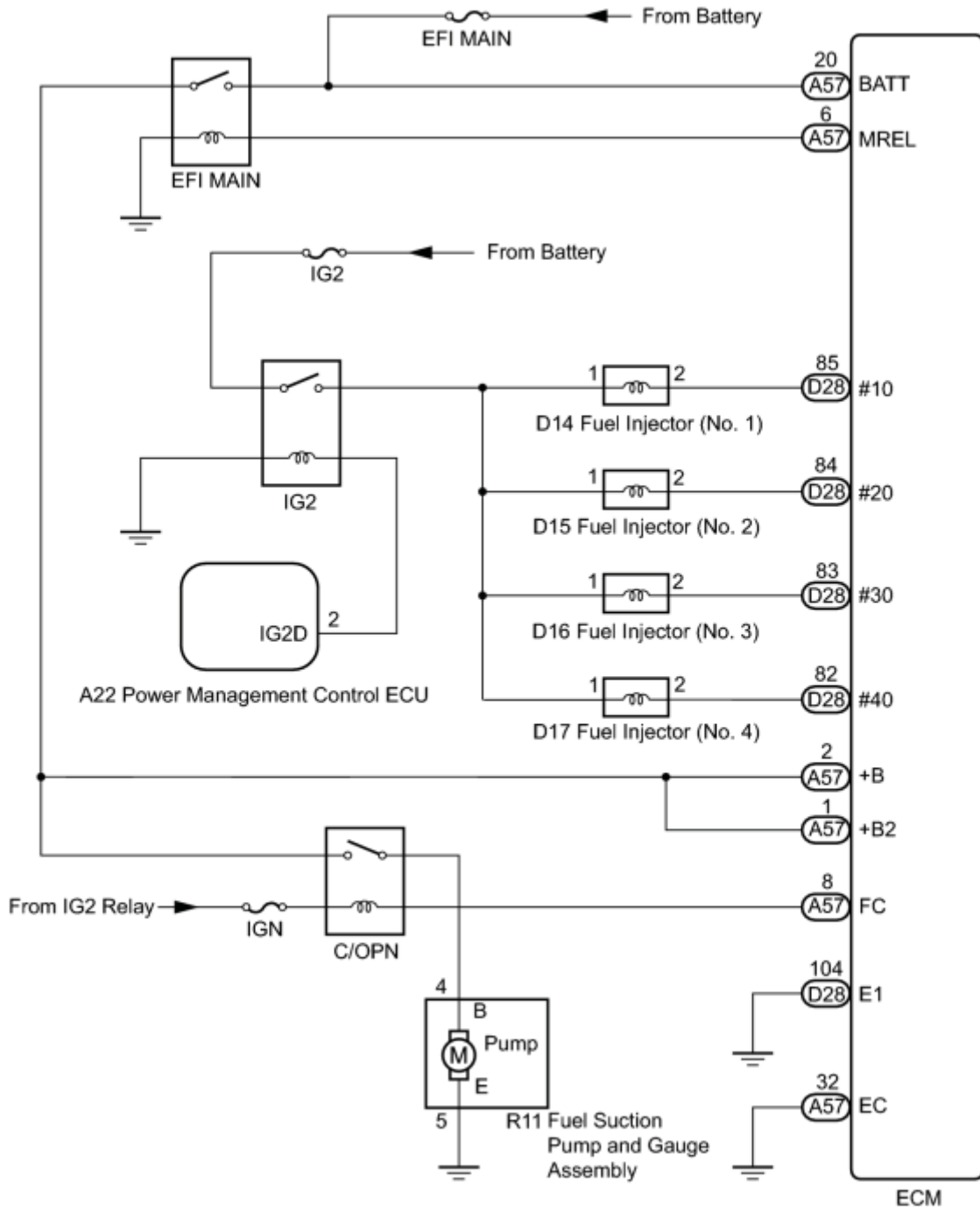
PARTS LOCATION

ILLUSTRATION



c

SYSTEM DIAGRAM



ON-VEHICLE INSPECTION

1. CHECK FUEL PUMP OPERATION AND INSPECT FOR FUEL LEAK

(a) Check fuel pump operation.

(1) Connect the Techstream to the DLC3.

(2) Turn the power switch on (IG).

NOTICE:

Do not start the engine.

(3) Turn the Techstream on.

(4) Enter the following menus: Powertrain / Engine and ECT / Active Test / Control the Fuel Pump /Speed.

(5) Check for pressure in the fuel inlet tube from the fuel line. Check that sounds of fuel flowing from the fuel tank can be heard. If no sounds can be heard, check the integration relay, fuel pump, ECM and wiring connectors.

(b) Inspect for fuel leaks.

(1) Check that there is no fuel leakage after performing maintenance anywhere on the fuel system. If there is a fuel leak, repair or replace parts as necessary.

(c) Turn the power switch off.

(d) Disconnect the Techstream from the DLC3.

2. CHECK FUEL PRESSURE

(a) Discharge fuel system pressure .

(b) Using a voltmeter, measure the battery voltage according to the value(s) in the table below.

Standard Voltage:

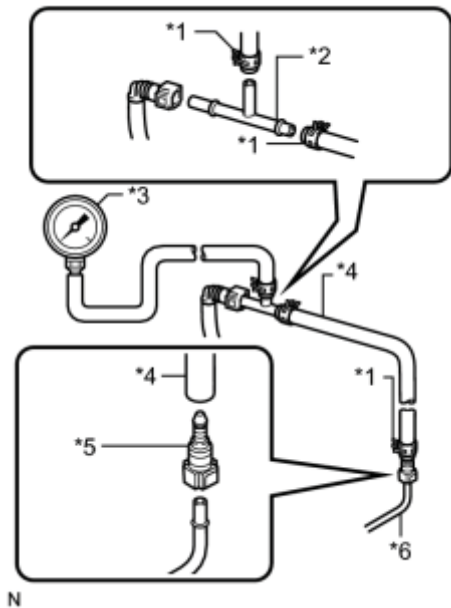
Tester Connection	Condition	Specified Condition
Positive terminal - Negative terminal	Power switch off	11 to 14 V

(c) Disconnect the cable from the negative (-) battery terminal.

(d) Disconnect the fuel hose from the fuel main tube .

(e) Install SST (pressure gauge) using other SST as shown in the illustration.

Text in Illustration



*1	SST (Clip)
*2	SST (T-joint)
*3	SST (Pressure Gauge)
*4	SST (Hose)
*5	SST (Tube Connector)
*6	Fuel Tube

SST: 09268-31012

09268-41500

90467-13001

95336-08070

SST: 09268-45014

09268-41200

09268-41220

09268-41250

(f) Clean up any spilled gasoline.

(g) Connect the cable to the negative (-) battery terminal.

(h) Connect the Techstream to the DLC3.

(i) Enter the following menus: Powertrain / Engine and ECT / Active Test / Control the Fuel Pump /Speed.


(j) Measure the fuel pressure.

Standard fuel pressure:

304 to 343 kPa (3.1 to 3.5 kgf/cm², 44 to 50 psi)

- If the fuel pressure is greater than the standard value, replace the fuel pressure regulator.
- If the fuel pressure is less than the standard value, check the fuel hoses and connections, fuel pump, fuel filter and fuel pressure regulator.

(k) Disconnect the Techstream from the DLC3.

(l) Put the vehicle in the "inspection mode" .

(m) Start the engine.

(n) Measure the fuel pressure at idle.

Standard fuel pressure:

304 to 343 kPa (3.1 to 3.5 kgf/cm², 44 to 50 psi)

(o) Stop the engine.

(p) Check that the fuel pressure remains as specified for 5 minutes after the engine stops.

Standard fuel pressure:

147 kPa (1.5 kgf/cm², 21 psi) or more

If the fuel pressure is not as specified, check the fuel pump or fuel injector.

(q) After checking the fuel pressure, disconnect the cable from the negative (-) battery terminal and carefully remove SST to prevent gasoline from spraying.

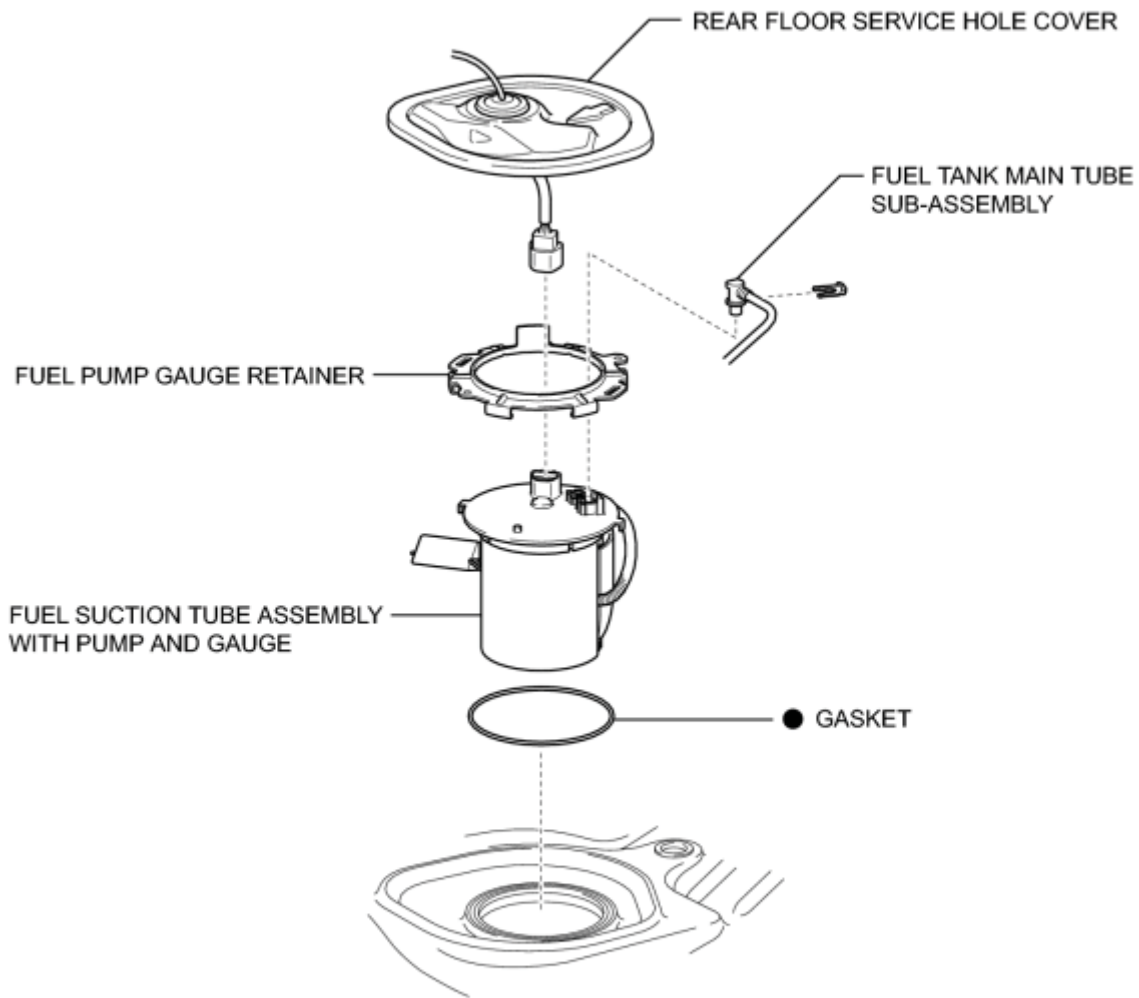
(r) Reconnect the fuel tube to the main fuel tube (fuel tube connector).

(s) Install the No. 1 fuel pipe clamp to the fuel tube connector.

(t) Inspect for fuel leaks (Step 1).

COMPONENTS

ILLUSTRATION



● Non-reusable part

c

ILLUSTRATION