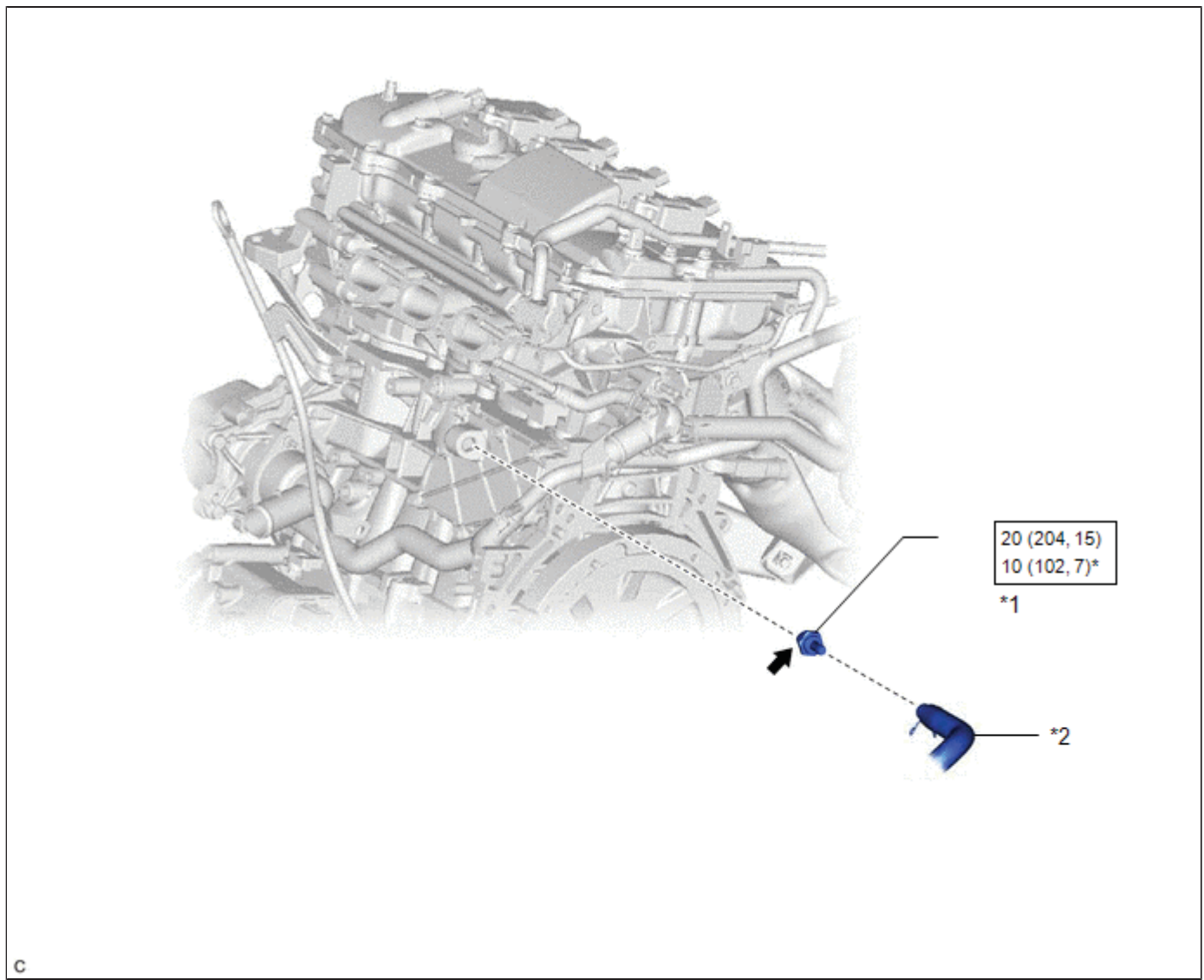


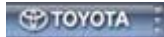
Last Modified: 01-14-2019	6.8:8.0.48	Doc ID: RM100000000TAYA
Model Year Start: 2016	Model: Prius	Prod Date Range: [11/2015 - ]
Title: 2ZR-FXE (EMISSION CONTROL): PCV VALVE: COMPONENTS; 2016 - 2019 MY Prius [11/2015 - ]		

## COMPONENTS

## ILLUSTRATION



*1	PCV VALVE (VENTILATION VALVE SUB-ASSEMBLY)	*2	VENTILATION HOSE
	N*m (kgf*cm, ft.*lbf): Specified torque	*	For use with a 22 mm ball joint lock nut wrench
	Adhesive 1324		Precoated part



<b>Last Modified:</b> 01-14-2019	6.8:8.0.48	<b>Doc ID:</b> RM100000000TAYB
<b>Model Year Start:</b> 2016	<b>Model:</b> Prius	<b>Prod Date Range:</b> [11/2015 - ]
<b>Title:</b> 2ZR-FXE (EMISSION CONTROL): PCV VALVE: REMOVAL; 2016 - 2019 MY Prius [11/2015 - ]		

## REMOVAL

### CAUTION / NOTICE / HINT

The necessary procedures (adjustment, calibration, initialization or registration) that must be performed after parts are removed and installed, or replaced during PCV valve (ventilation valve sub-assembly) removal/installation are shown below.

#### Necessary Procedures After Parts Removed/Installed/Replaced

REPLACED PART OR PERFORMED PROCEDURE	NECESSARY PROCEDURE	EFFECT/INOPERATIVE FUNCTION WHEN NECESSARY PROCEDURE NOT PERFORMED	LINK
<ul style="list-style-type: none"> <li>Replacement of throttle body assembly</li> <li>Cleaning the deposits from the throttle body assembly</li> </ul>	Inspection After Repair	<ul style="list-style-type: none"> <li>Poor idle, etc.</li> <li>Engine start function, etc.</li> </ul>	<a href="#">INFO</a>

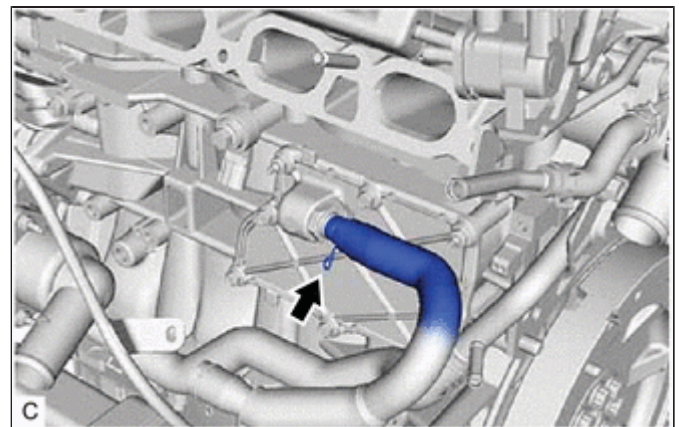
## PROCEDURE

### 1. REMOVE INTAKE MANIFOLD

Click here [INFO](#)

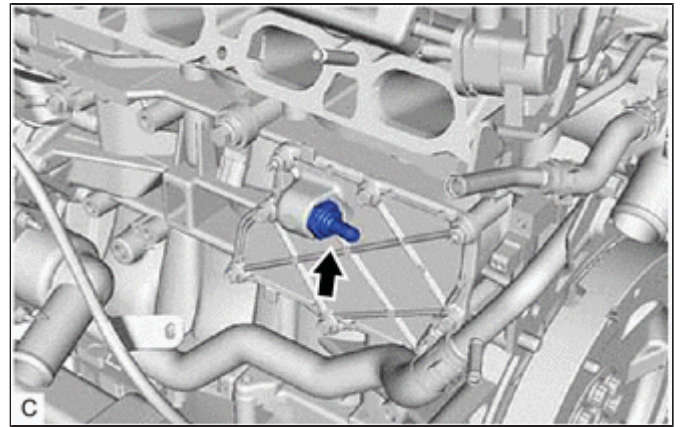
### 2. DISCONNECT VENTILATION HOSE

(a) Slide the clip and disconnect the ventilation hose from the PCV valve (ventilation valve sub-assembly).



### 3. REMOVE PCV VALVE (VENTILATION VALVE SUB-ASSEMBLY)

(a) Using a 22 mm ball joint lock nut wrench, remove the PCV valve (ventilation valve sub-assembly) from the No. 1 ventilation case.



Last Modified: 01-14-2019	6.8:8.0.48	Doc ID: RM100000000TAY8
Model Year Start: 2016	Model: Prius	Prod Date Range: [11/2015 - ]
Title: 2ZR-FXE (EMISSION CONTROL): PCV VALVE: INSTALLATION; 2016 - 2019 MY Prius [11/2015 - ]		

## INSTALLATION

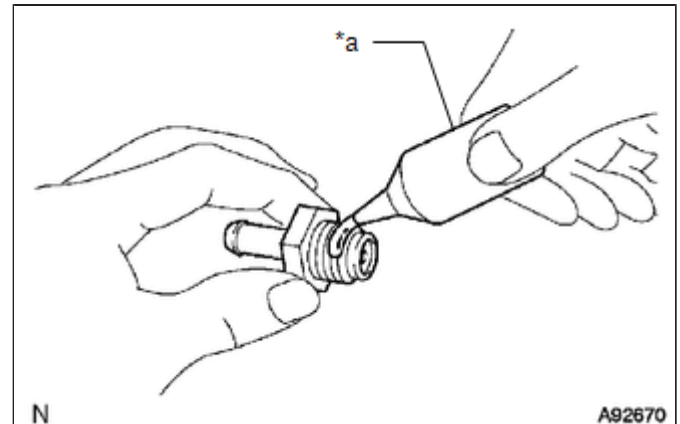
### PROCEDURE

#### 1. INSTALL PCV VALVE (VENTILATION VALVE SUB-ASSEMBLY)

- (a) Apply adhesive to 2 or 3 threads of the PCV valve (ventilation valve sub-assembly).

Adhesive:

Toyota Genuine Adhesive 1324, Three Bond 1324 or equivalent



*a	Adhesive 1324
----	---------------

- (b) Using a 22 mm ball joint lock nut wrench, install the PCV valve (ventilation valve sub-assembly) to the No. 1 ventilation case.

Torque:

Specified tightening torque :

20 N·m { 204 kgf·cm, 15 ft·lbf }

#### NOTICE:

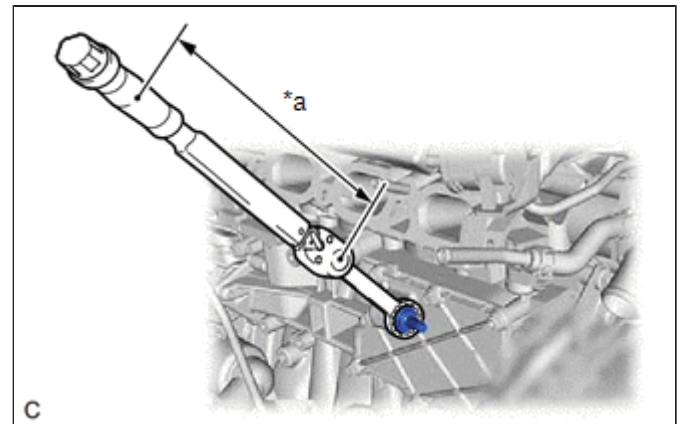
Do not start the engine for at least 1 hour after installation.

#### HINT:

- Calculate the torque wrench reading when changing the fulcrum length of the torque wrench.

Click here [INFO](#) [INFO](#) [INFO](#)

- When using a 22 mm ball joint lock nut wrench (fulcrum length of 149.75 mm (5.9 in.)) + torque wrench (fulcrum length of 155 mm (6.1 in.)): 10 N·m (102 kgf·cm, 7 ft.·lbf)



*a	Torque Wrench Fulcrum Length
----	------------------------------

#### 2. CONNECT VENTILATION HOSE

- (a) Connect the ventilation hose to the PCV valve (ventilation valve sub-assembly) and slide the clip to secure it.

#### 3. INSTALL INTAKE MANIFOLD

Click here [INFO](#)

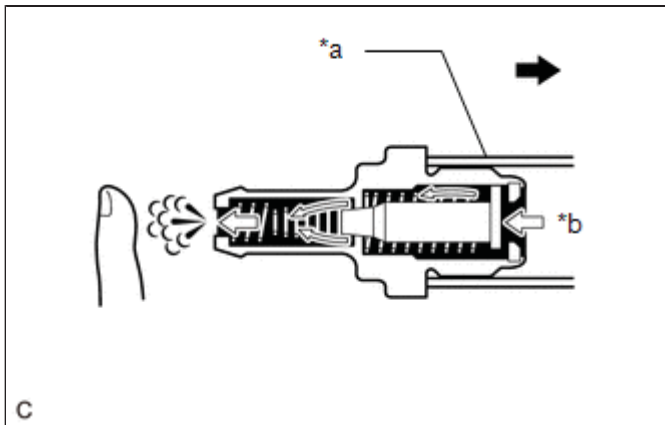
Last Modified: 01-14-2019	6.8:8.0.48	Doc ID: RM100000000TAY9
Model Year Start: 2016	Model: Prius	Prod Date Range: [11/2015 - ]
Title: 2ZR-FXE (EMISSION CONTROL): PCV VALVE: INSPECTION; 2016 - 2019 MY Prius [11/2015 - ]		


## INSPECTION

### PROCEDURE

#### 1. INSPECT PCV VALVE (VENTILATION VALVE SUB-ASSEMBLY)

- (a) Install a clean hose to the PCV valve (ventilation valve sub-assembly).
- (b) Check PCV valve (ventilation valve sub-assembly) operation.
  - (1) Blow air into the No. 1 ventilation case side, and check that air passes through easily.



*a	Hose
*b	Air
	No. 1 Ventilation Case Side

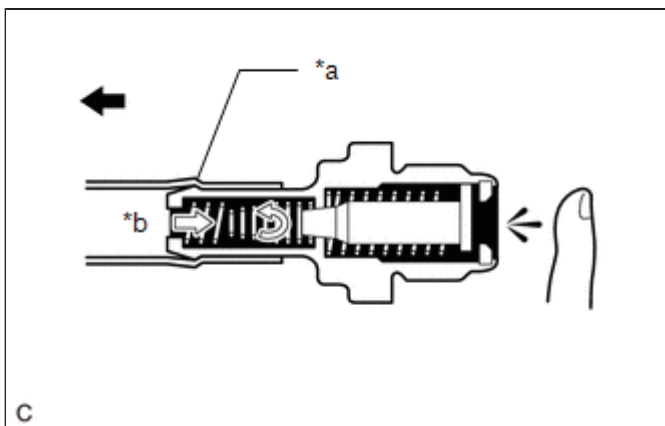
#### CAUTION:

Do not suck air through the valve.

Petroleum substances inside the valve are hazardous to your health.

If the result is not as specified, replace the PCV valve (ventilation valve sub-assembly).

- (2) Blow air into the intake manifold side, and check that air passes through with difficulty.



*a	Hose
*b	Air
	Intake Manifold Side

**CAUTION:**

Do not suck air through the valve.

Petroleum substances inside the valve are hazardous to your health.

If the result is not as specified, replace the PCV valve (ventilation valve sub-assembly).

(c) Remove the hose from the PCV valve (ventilation valve sub-assembly).

