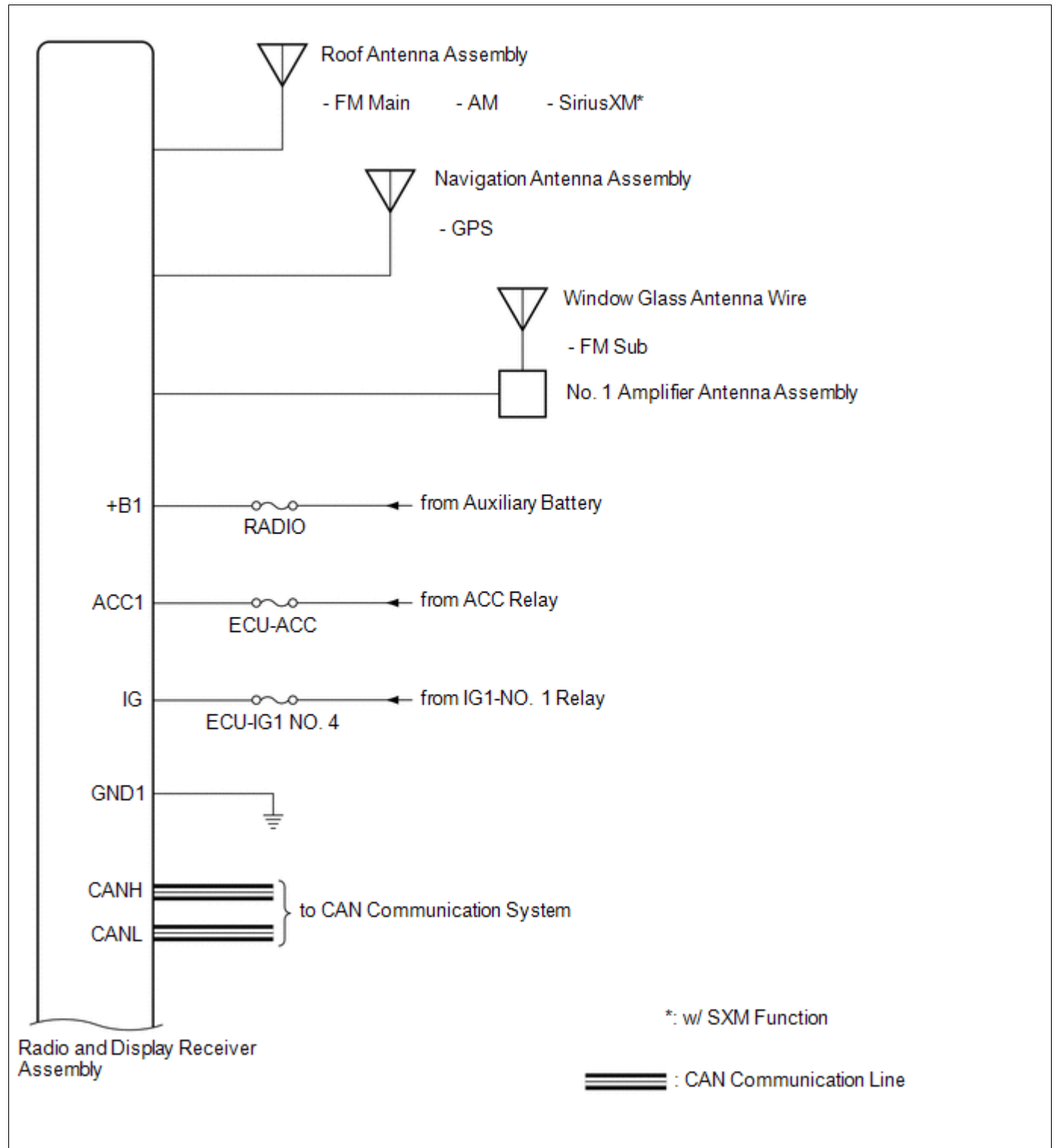
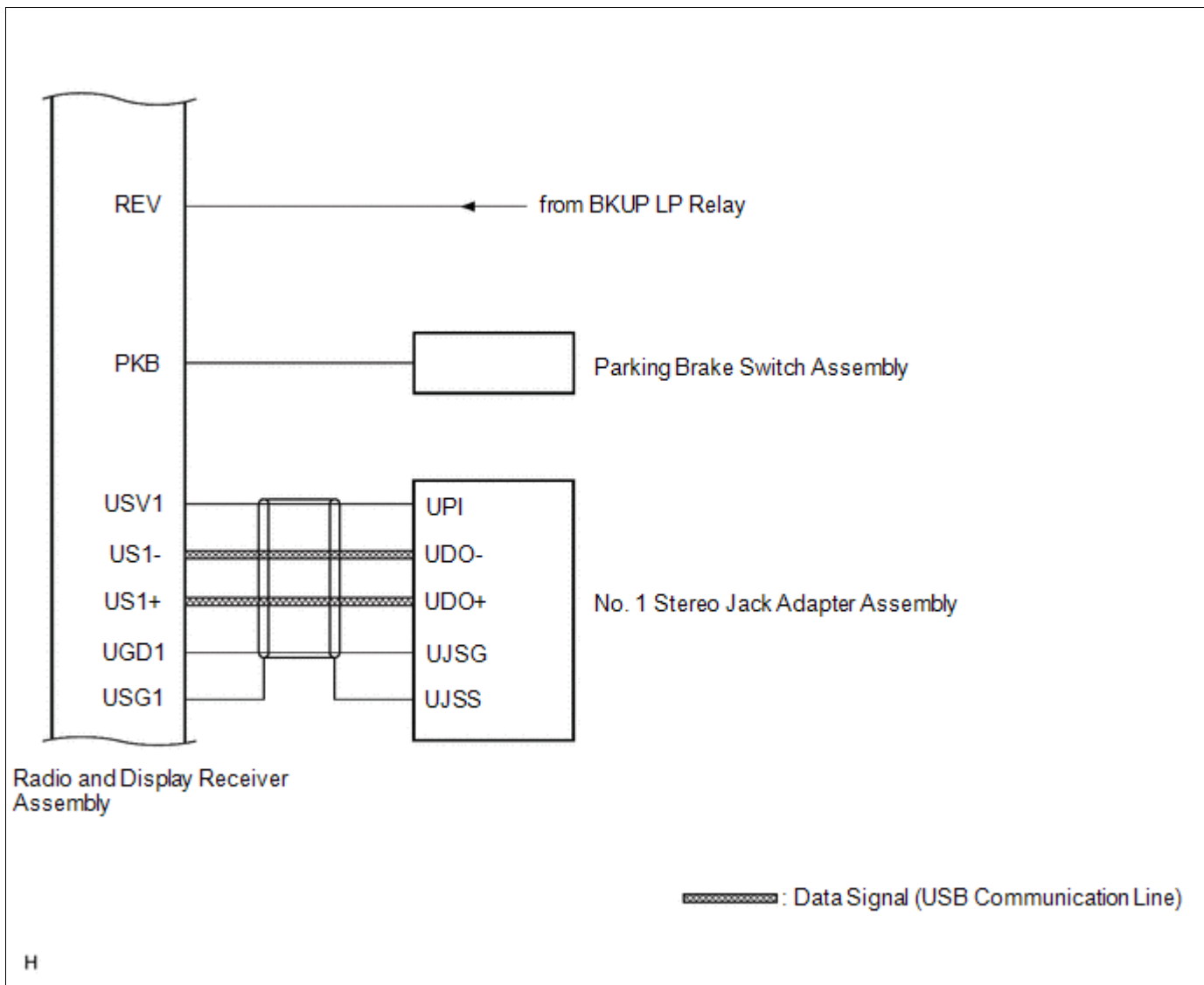
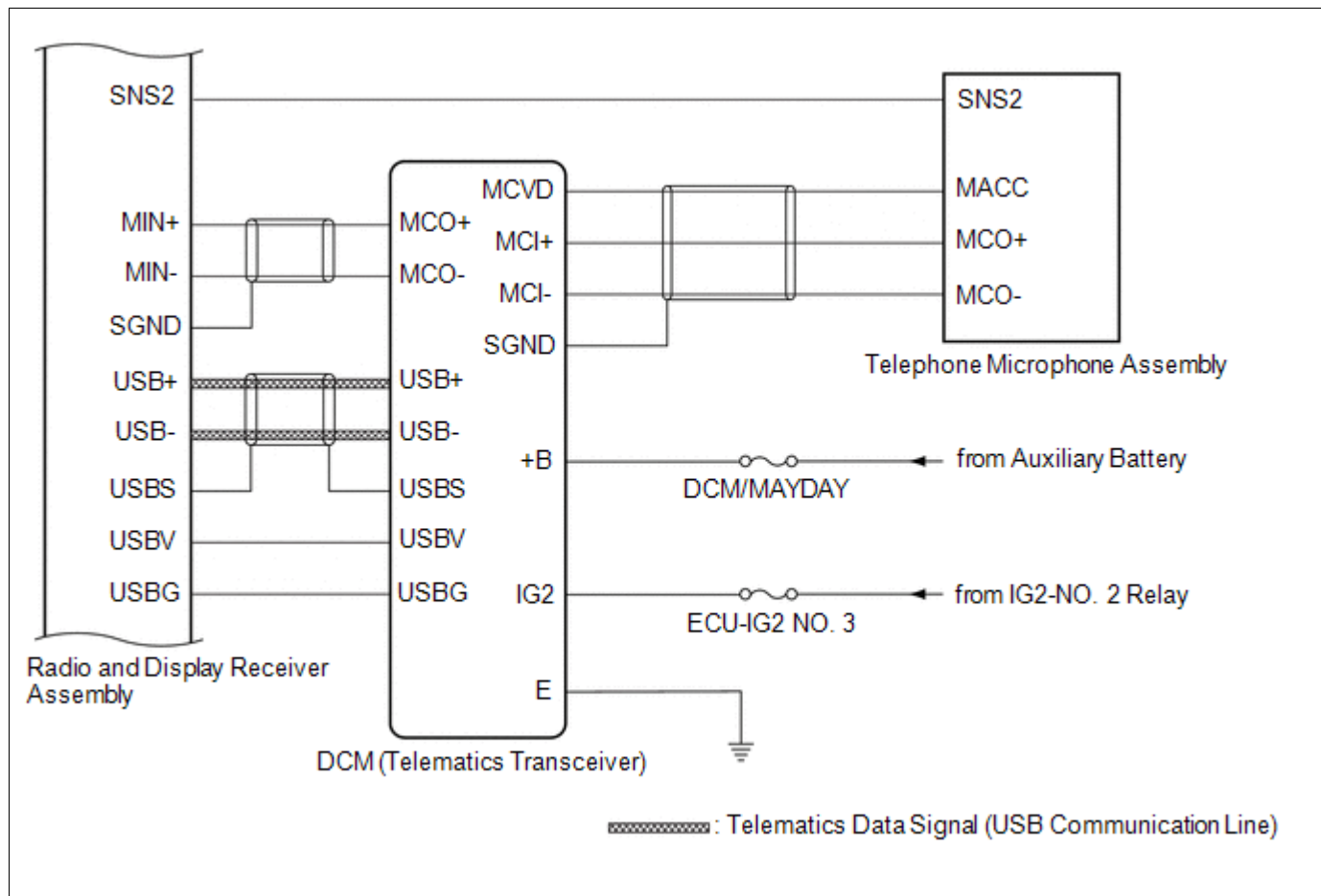


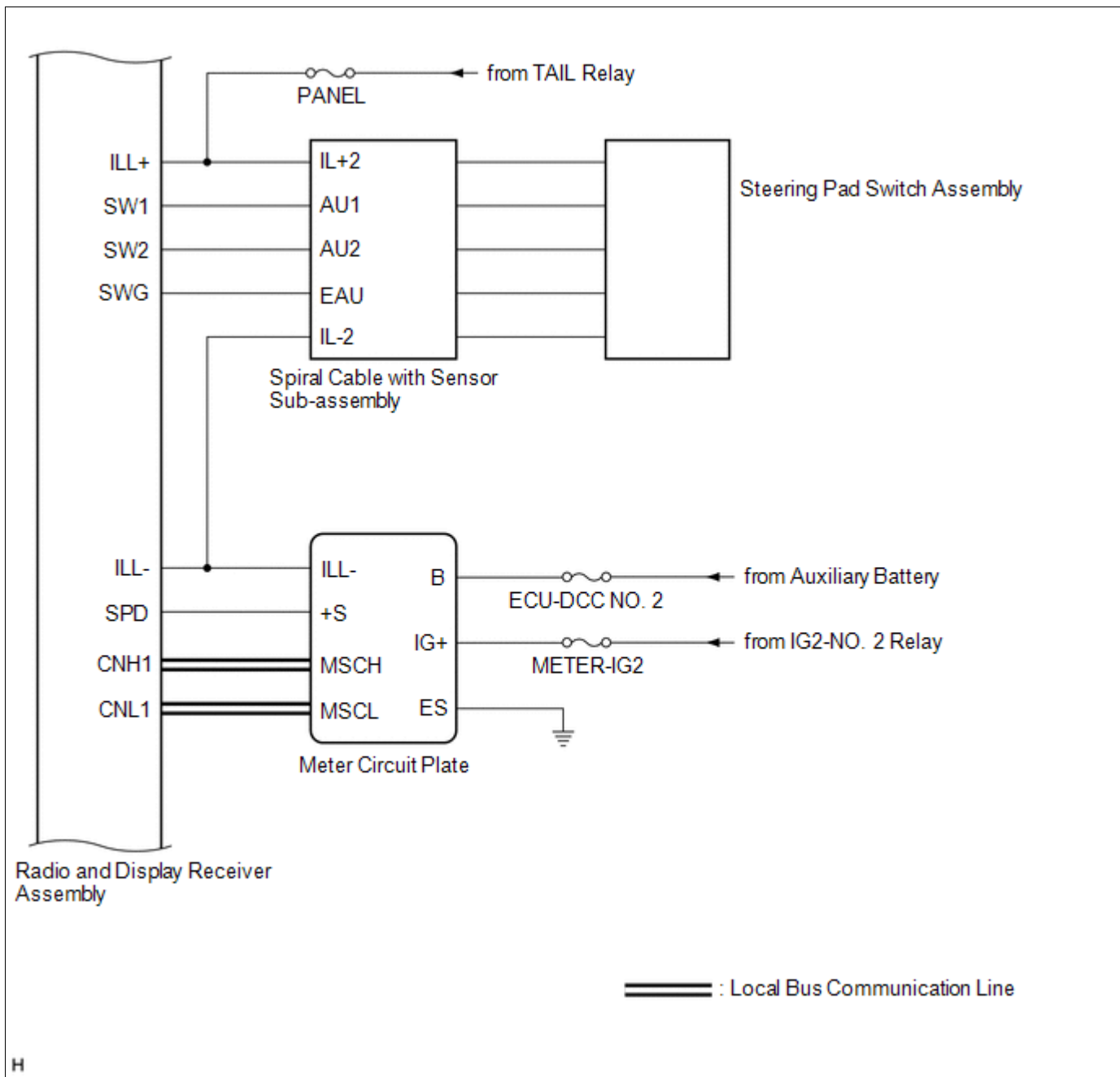
|   |                           |                                      |
|---|---------------------------|--------------------------------------|
| <b>Last Modified:</b> 05-25-2022  | 6.11:8.1.0                | <b>Doc ID:</b> RM100000001PBXF       |
| <b>Model Year Start:</b> 2021   | <b>Model:</b> Prius Prime | <b>Prod Date Range:</b> [07/2020 - ] |
| <b>Title:</b> AUDIO / VIDEO: AUDIO AND VISUAL SYSTEM: SYSTEM DIAGRAM; 2021 - 2022 MY Prius Prime [07/2020 - ] |                           |                                      |

## SYSTEM DIAGRAM

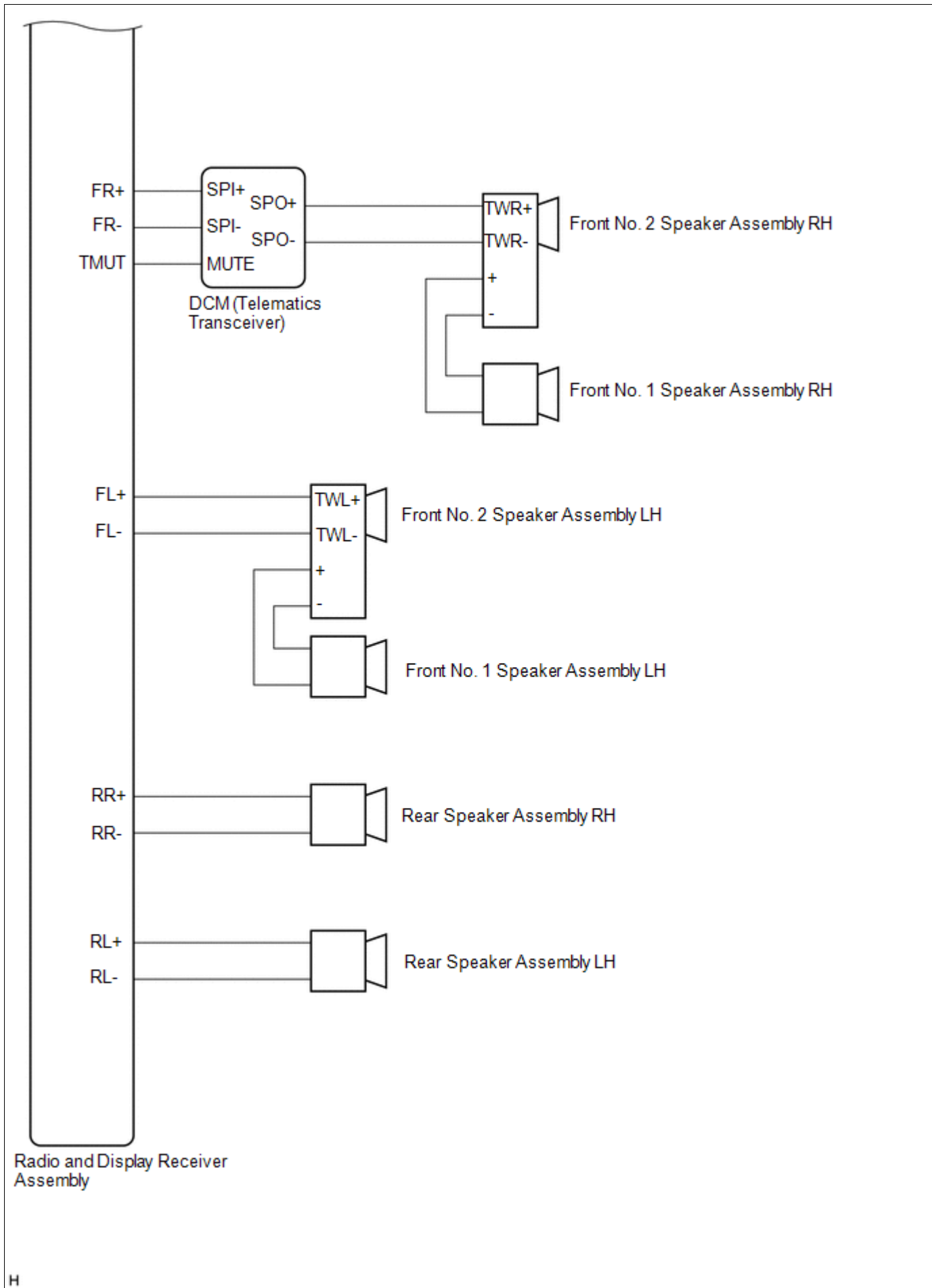








H



H

