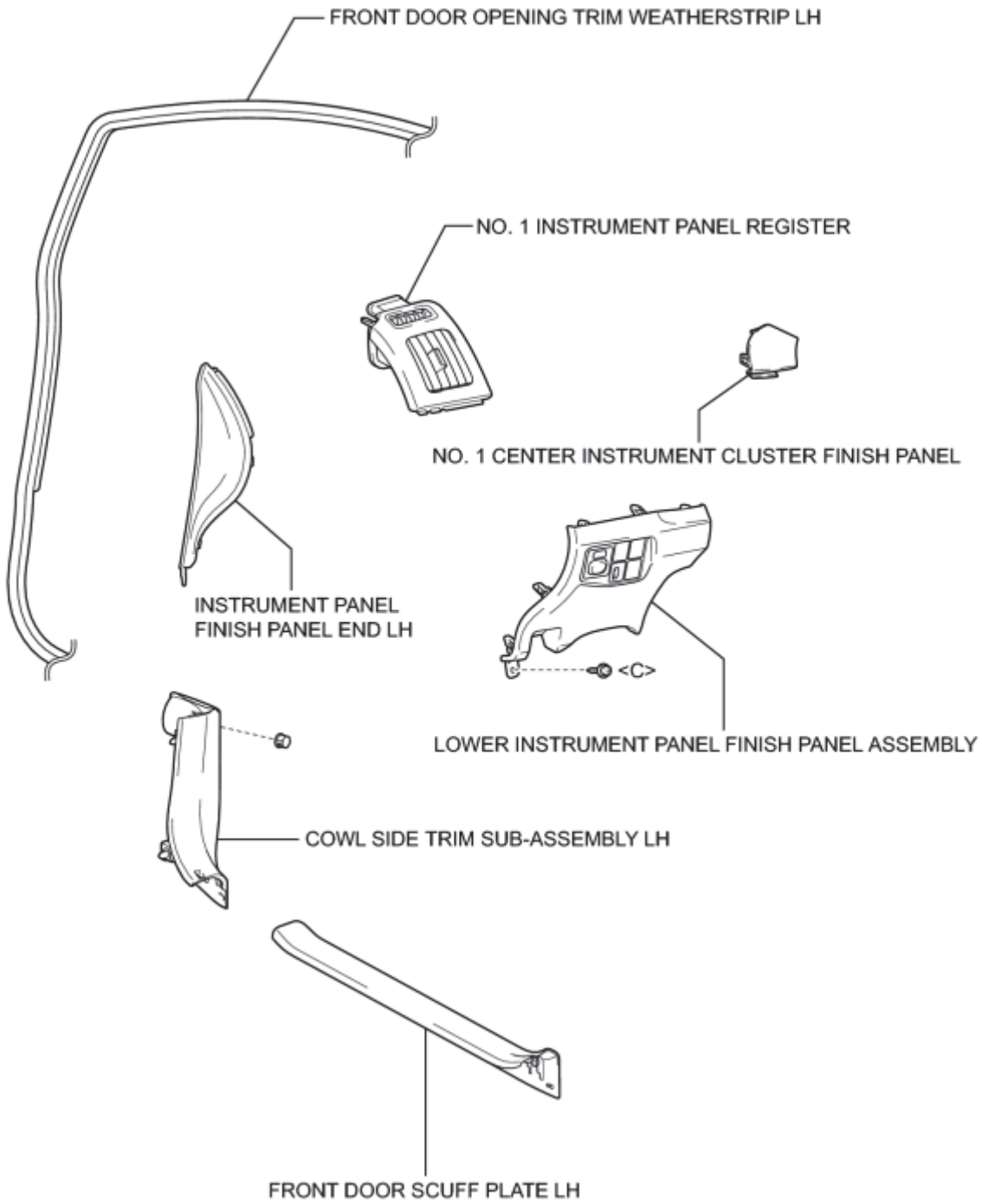


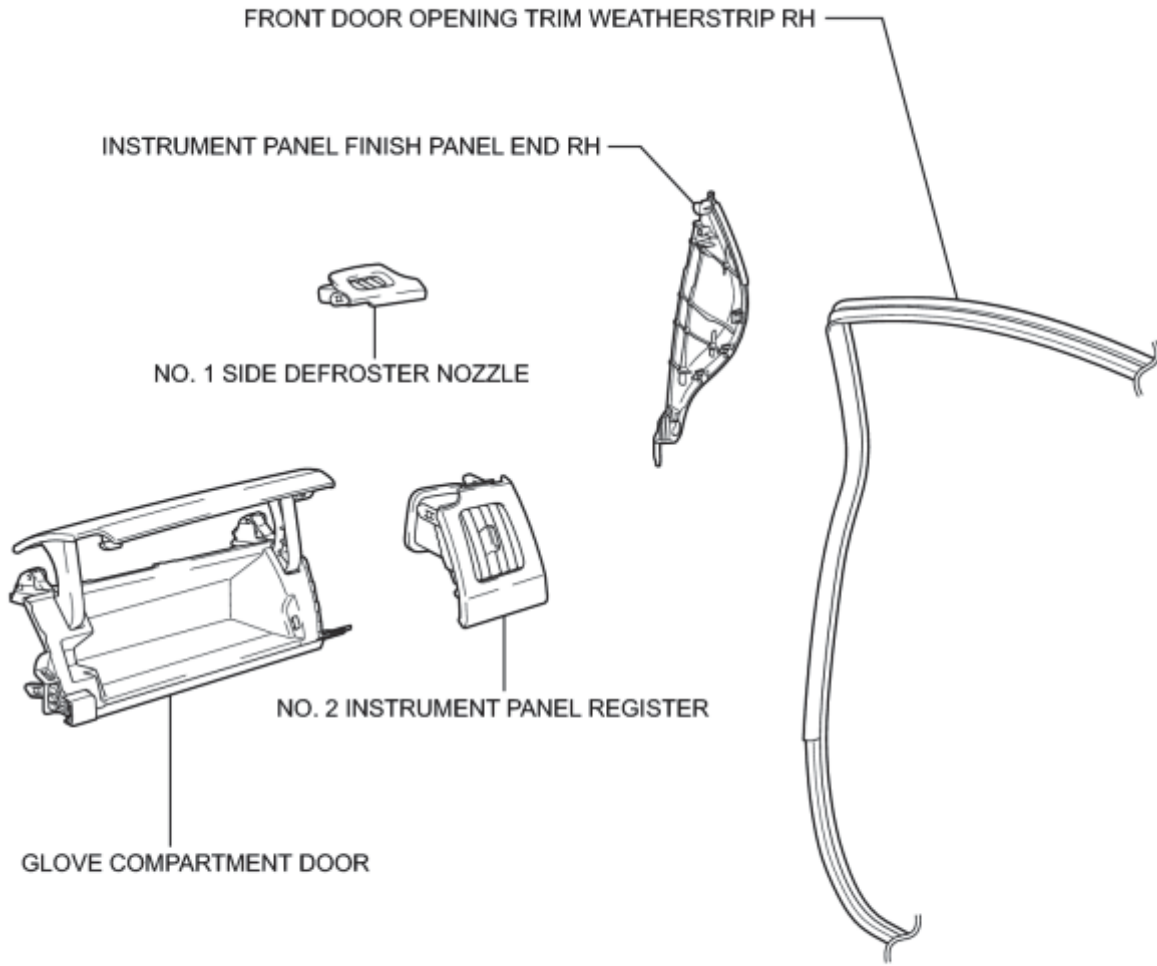
P

ILLUSTRATION



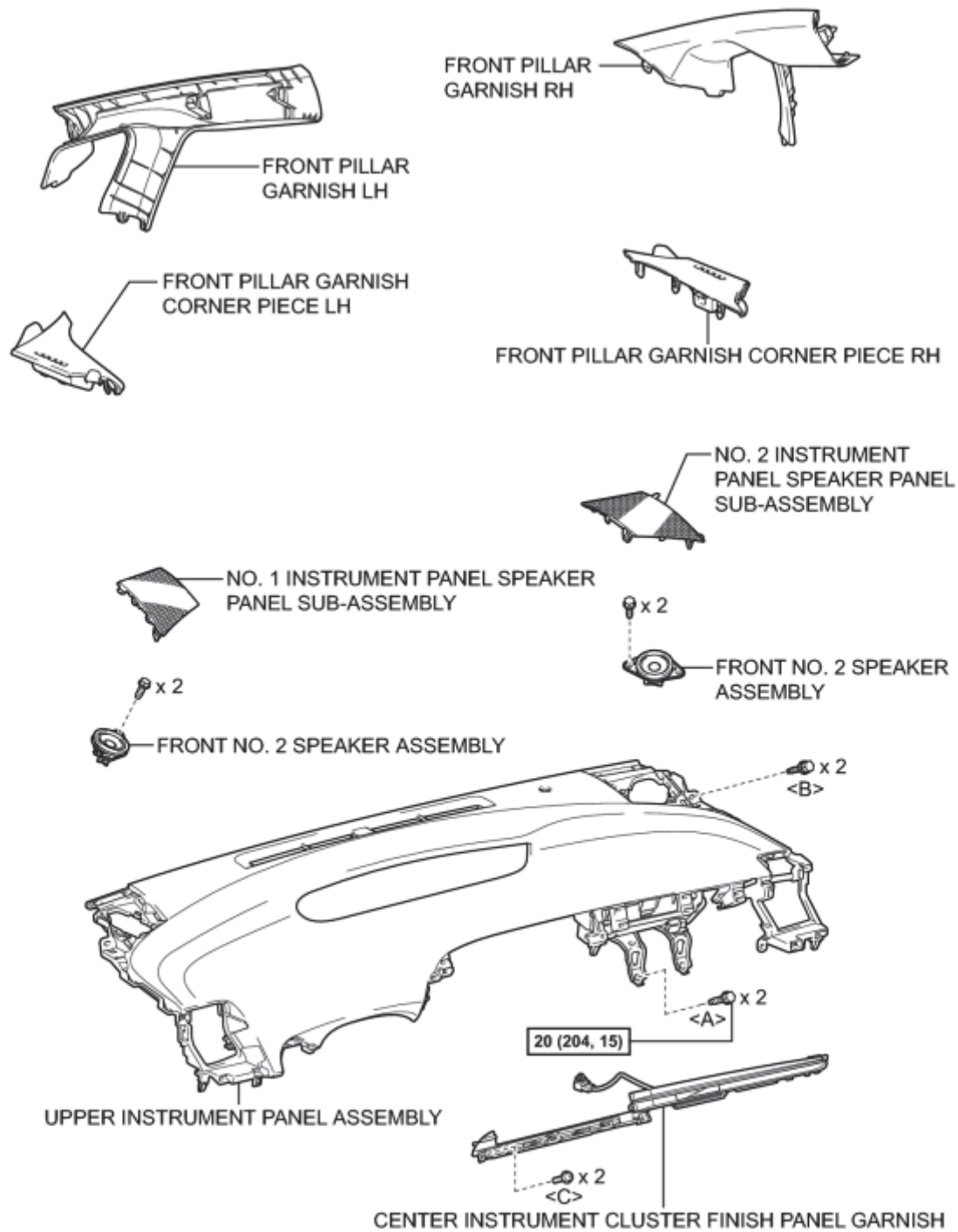
P

ILLUSTRATION



P

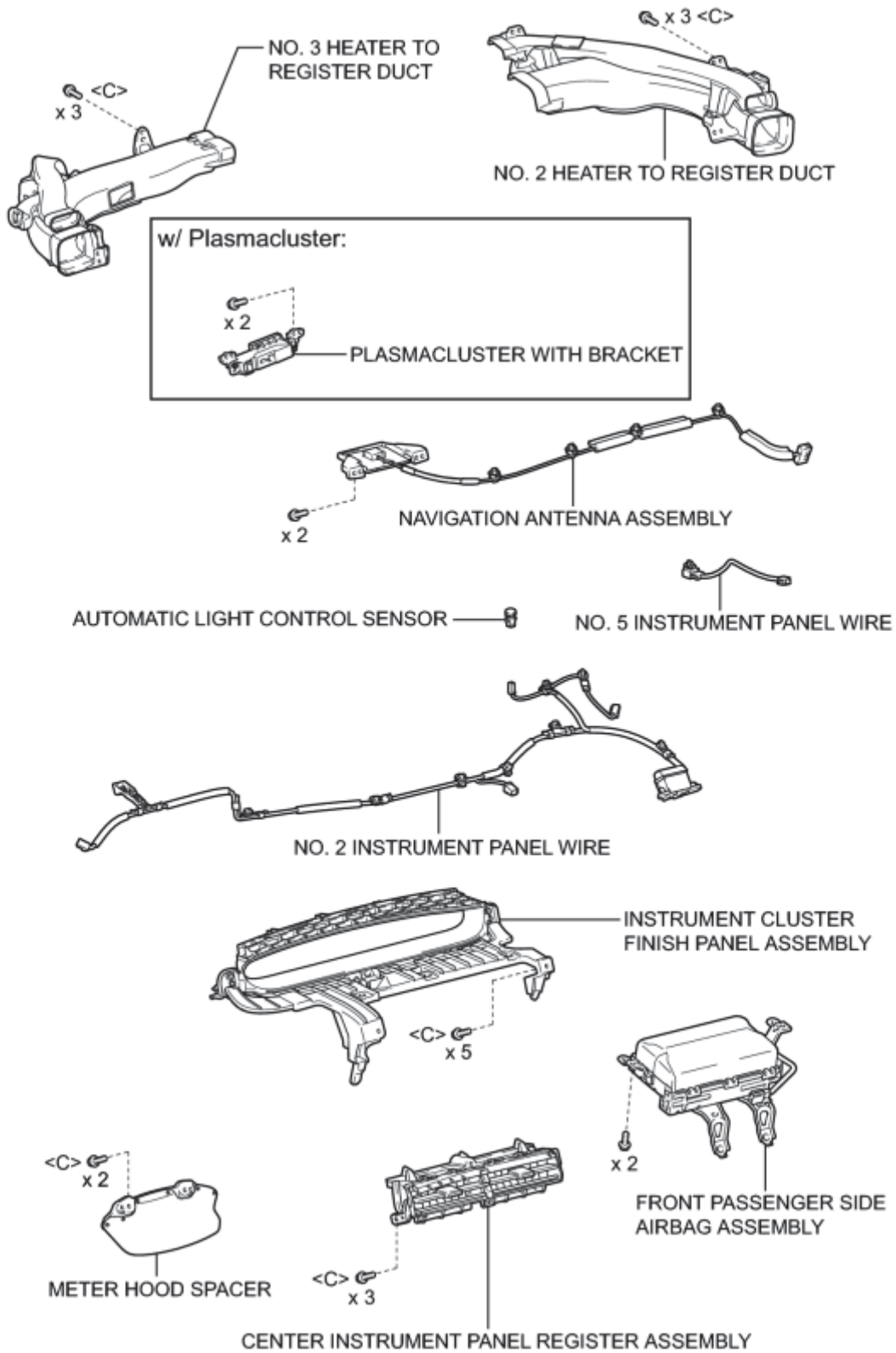
ILLUSTRATION



N*m (kgf*cm, ft.*lbf) : Specified torque

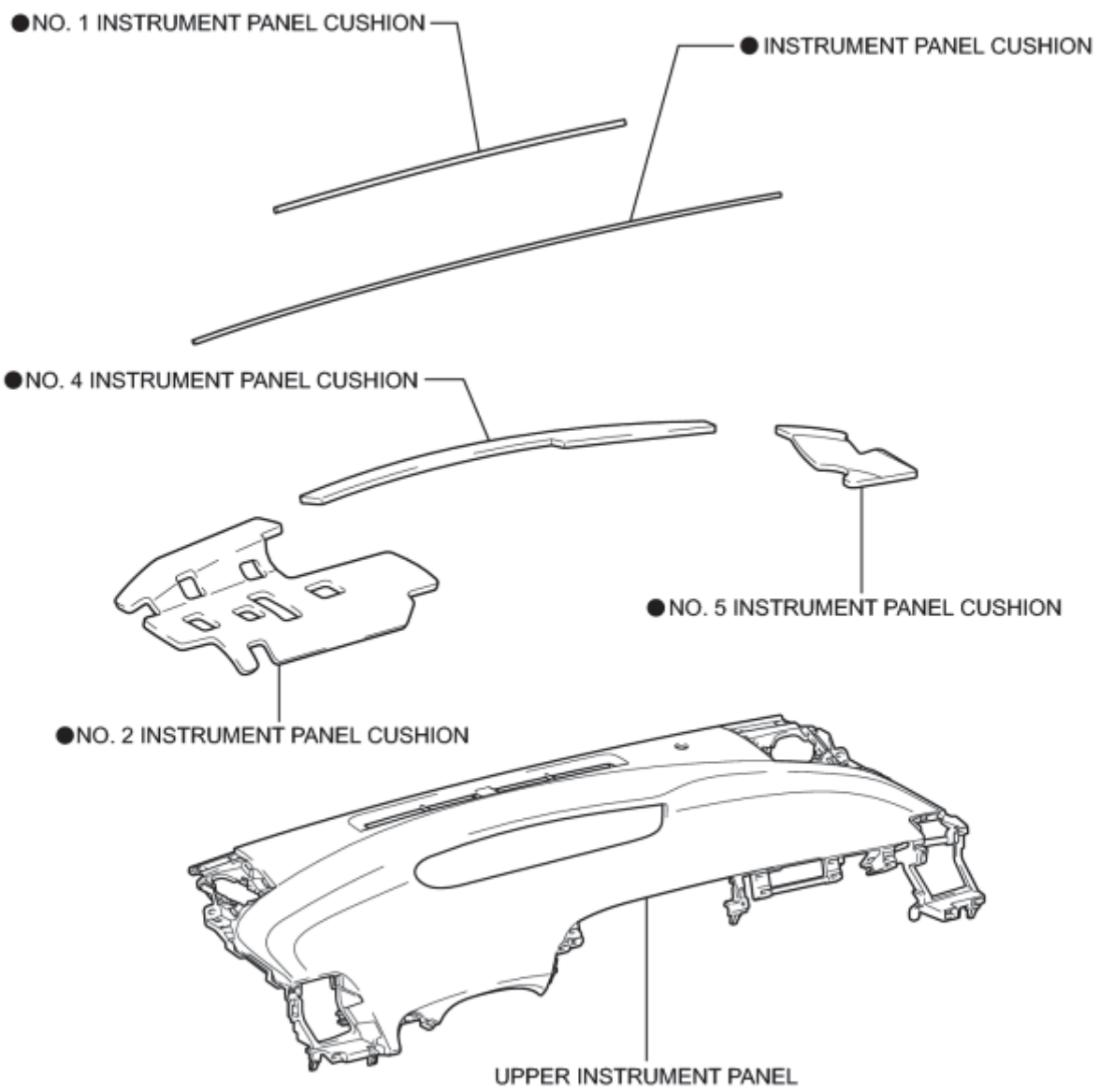
P

ILLUSTRATION



P

ILLUSTRATION



● Non-reusable part

P

ILLUSTRATION



INSTRUMENT PANEL CUP
HOLDER ASSEMBLY

<C>  x 4

P

REMOVAL

1. PRECAUTION

INFO

2. REMOVE REAR NO. 2 FLOOR BOARD (for Separate Type) INFO

3. REMOVE REAR DECK FLOOR BOX INFO

4. REMOVE REAR NO. 3 FLOOR BOARD INFO

5. DISCONNECT CABLE FROM NEGATIVE BATTERY TERMINAL

CAUTION:

Wait at least 90 seconds after disconnecting the cable from the negative (-) battery terminal to disable the SRS system.

NOTICE:

When disconnecting the cable, some systems need to be initialized after the cable is reconnected INFO.

6. REMOVE INTEGRATION CONTROL AND PANEL ASSEMBLY

(a) Using a moulding remover, slightly lift the panel at the position shown in the illustration.

Text in Illustration

*a	Lift slightly
----	---------------



(b) Pull the integration control and panel assembly in the direction indicated by the arrow to disengage the 6 claws.

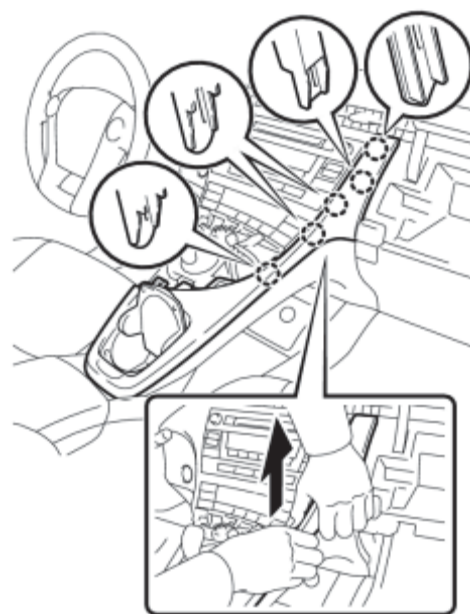
(c) Disconnect each connector and remove the integration control and panel assembly.

7. REMOVE LOWER CENTER INSTRUMENT CLUSTER FINISH PANEL SUB-ASSEMBLY

(a) Pull the lower center instrument cluster finish panel sub-assembly in the direction indicated by the arrow to disengage the 2 claws and 2 clips.



P

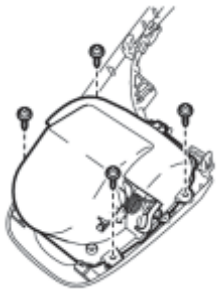


P

(b) Pull the lower center instrument cluster finish panel sub-assembly in the direction indicated by the arrow to disengage the 5 claws and remove the lower center instrument cluster finish panel sub-assembly.

8. REMOVE INSTRUMENT PANEL CUP HOLDER ASSEMBLY

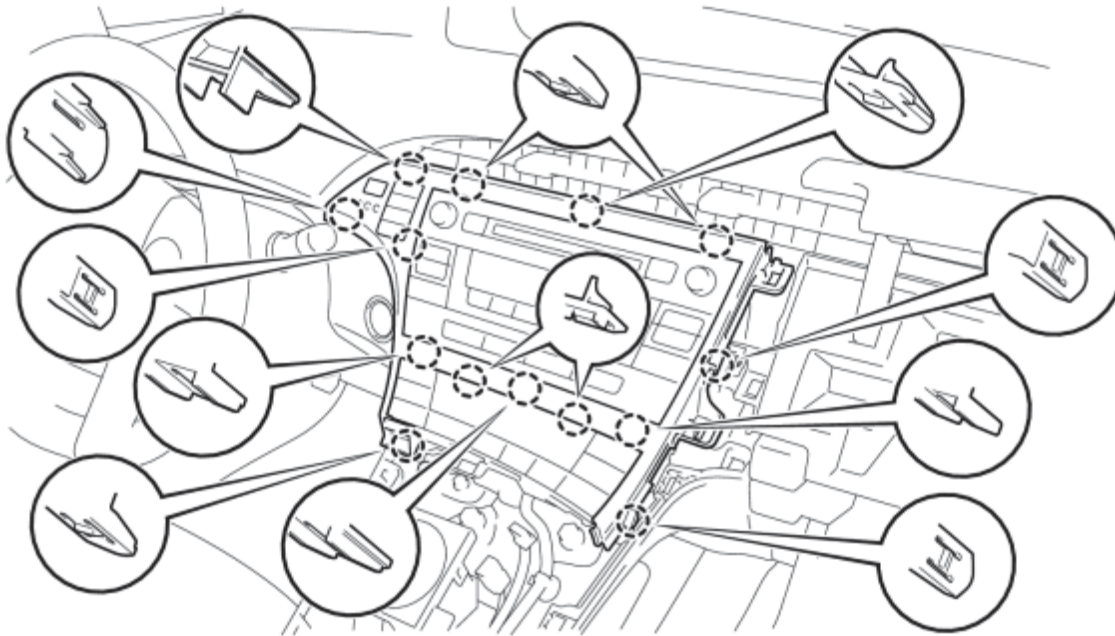
(a) Remove the 4 screws <C> and instrument panel cup holder assembly from the lower center instrument cluster finish panel sub-assembly.



P

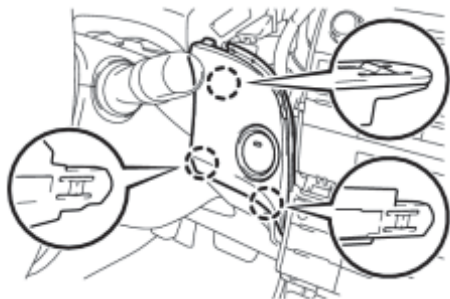
9. REMOVE INSTRUMENT CLUSTER FINISH PANEL GARNISH

- (a) Disengage the 14 claws.
- (b) Disconnect the connector and remove the instrument cluster finish panel garnish.



P

10. REMOVE UPPER INSTRUMENT PANEL FINISH PANEL SUB-ASSEMBLY



P

- (a) Disengage the 3 claws.

(b) Disconnect the connector and remove the upper instrument panel finish panel sub-assembly.

11. REMOVE RADIO RECEIVER WITH BRACKET (w/o Navigation System) INFO

12. REMOVE NAVIGATION RECEIVER WITH BRACKET (w/ Navigation System) INFO

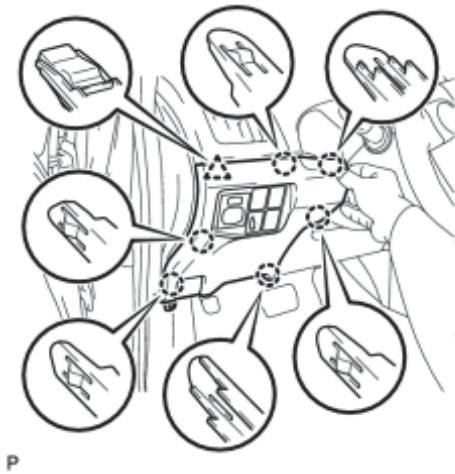
13. REMOVE FRONT DOOR SCUFF PLATE LH INFO

14. REMOVE COWL SIDE TRIM SUB-ASSEMBLY LH INFO

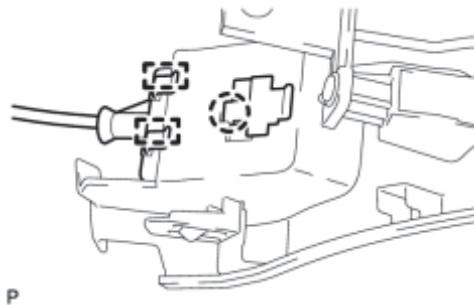
15. REMOVE LOWER INSTRUMENT PANEL FINISH PANEL ASSEMBLY



(a) Remove the screw <C>.



(b) Disengage the 6 claws and clip as shown in the illustration.



(c) Disengage the claw and 2 guides and disconnect the hood lock control cable.

(d) Disconnect each connector and clamp, and remove the lower instrument panel finish panel assembly.

16. REMOVE NO. 1 INSTRUMENT PANEL REGISTER



(a) Pull the No. 1 instrument panel register in the direction indicated by the arrow to disengage the 2 claws.



(b) Pull the No. 1 instrument panel register in the direction indicated by the arrow to disengage the 2 claws and remove the No. 1 instrument panel register.

17. REMOVE NO. 1 CENTER INSTRUMENT CLUSTER FINISH PANEL

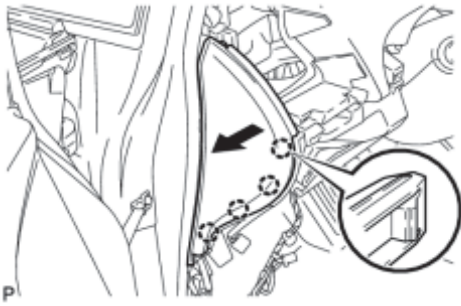


(a) Disengage the 4 claws to remove the No. 1 center instrument cluster finish panel.

18. DISCONNECT FRONT DOOR OPENING TRIM WEATHERSTRIP LH

19. REMOVE INSTRUMENT PANEL FINISH PANEL END LH

(a) Pull the instrument panel finish panel end LH in the direction indicated by the arrow to disengage the 4 claws.



P



P

(b) Disengage the guide as shown in the illustration.



P

(c) Disengage the guide and remove the instrument panel finish panel end LH as shown in the illustration.

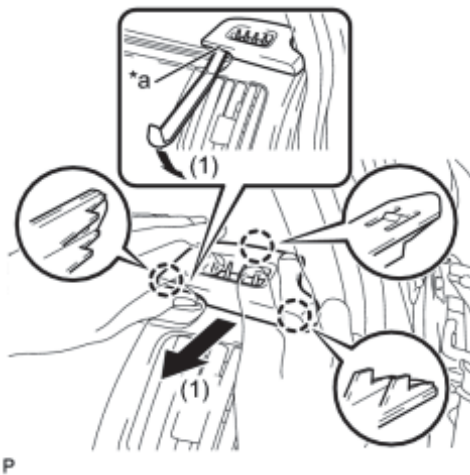


20. REMOVE NO. 1 SIDE DEFROSTER NOZZLE

(a) Using a moulding remover, slightly lift the panel at the position shown in the illustration.

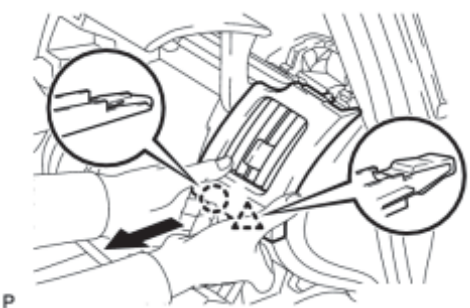
Text in Illustration

*a	Lift slightly
----	---------------



(b) Pull the No. 1 side defroster nozzle in the direction indicated by the arrow to disengage the 3 claws and remove the No. 1 side defroster nozzle.

21. REMOVE NO. 2 INSTRUMENT PANEL REGISTER



(a) Pull the No. 2 instrument panel register in the direction indicated by the arrow to disengage the claw and clip.

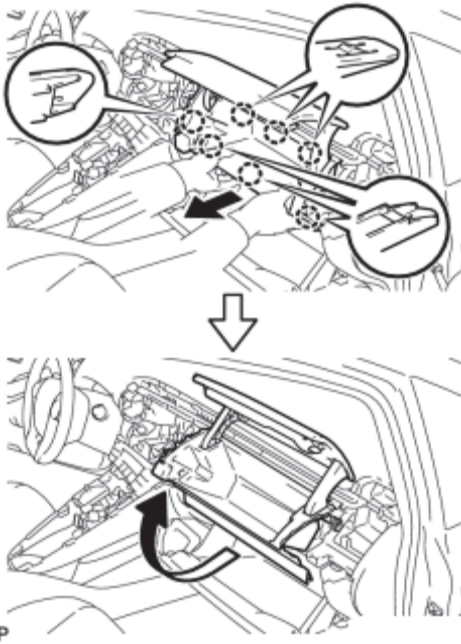


(b) Pull the No. 2 instrument panel register in the direction indicated by the arrow to disengage the 2 claws and remove the No. 2 instrument panel register.

22. REMOVE GLOVE COMPARTMENT DOOR

(a) Open the glove compartment door assembly.

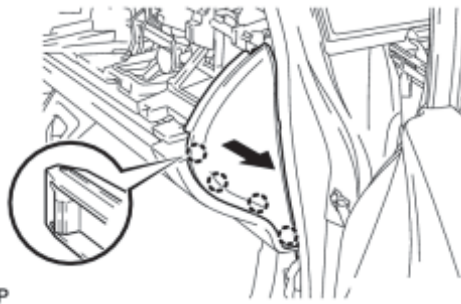
(b) Pull the glove compartment door in the direction indicated by the arrow to disengage the 7 claws.



(c) Pull the glove compartment door in the direction indicated by the arrow to remove the glove compartment door.

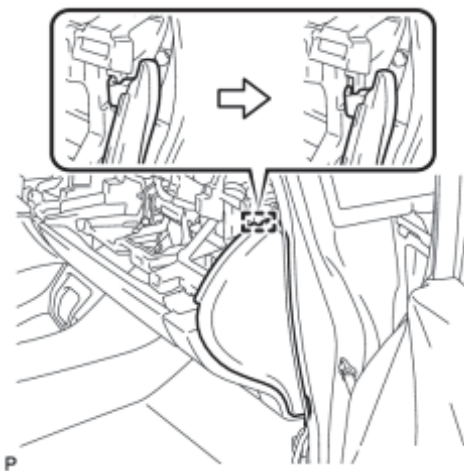
23. DISCONNECT FRONT DOOR OPENING TRIM WEATHERSTRIP RH

24. REMOVE INSTRUMENT PANEL FINISH PANEL END RH



(a) Pull the instrument panel finish panel end RH in the direction indicated by the arrow to disengage the 4 claws.

(b) Disengage the guide as shown in the illustration.

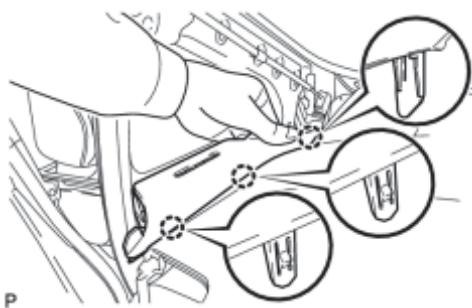


(c) Disengage the guide and remove the instrument panel finish panel end RH as shown in the illustration.



25. REMOVE FRONT PILLAR GARNISH LH INFO

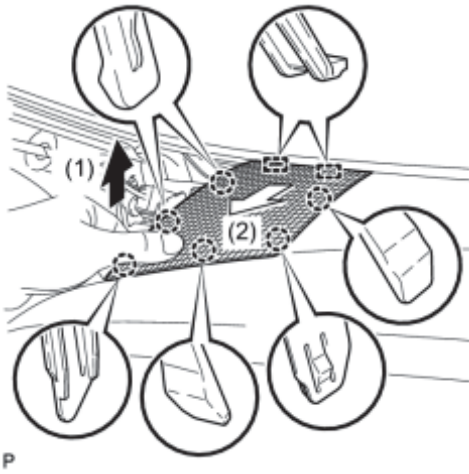
26. REMOVE FRONT PILLAR GARNISH CORNER PIECE LH



(a) Disengage the 3 claws and front pillar garnish corner piece LH as shown in the illustration.

27. REMOVE NO. 1 INSTRUMENT PANEL SPEAKER PANEL SUB-ASSEMBLY

(a) Pull the No. 1 instrument panel speaker panel sub-assembly in the direction indicated by the arrow to disengage the 6 claws and 2 guides, and remove the No. 1 instrument panel speaker panel sub-assembly.



P

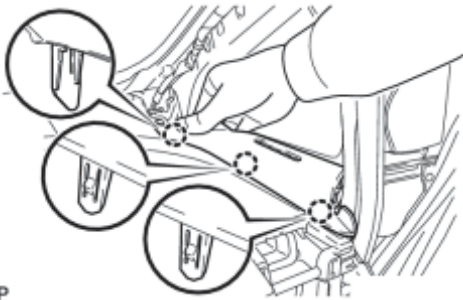
28. REMOVE FRONT NO. 2 SPEAKER ASSEMBLY INFO

29. REMOVE FRONT PILLAR GARNISH RH

HINT:

Use the same procedure for the RH side and LH side INFO.

30. REMOVE FRONT PILLAR GARNISH CORNER PIECE RH

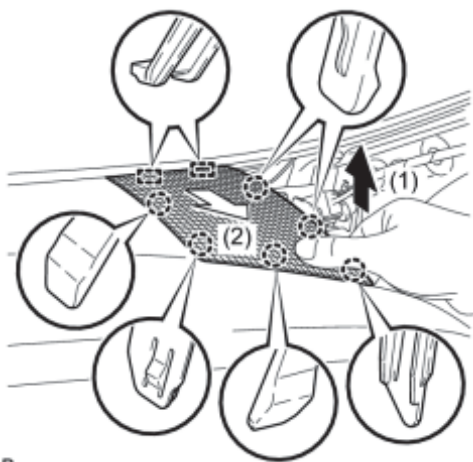


P

(a) Disengage the 3 claws and front pillar garnish corner piece RH as shown in the illustration.

31. REMOVE NO. 2 INSTRUMENT PANEL SPEAKER PANEL SUB-ASSEMBLY

(a) Pull the No. 2 instrument panel speaker panel sub-assembly in the direction indicated by the arrow to disengage the 6 claws and 2 guides, and remove the No. 2 instrument panel speaker panel sub-assembly.



P

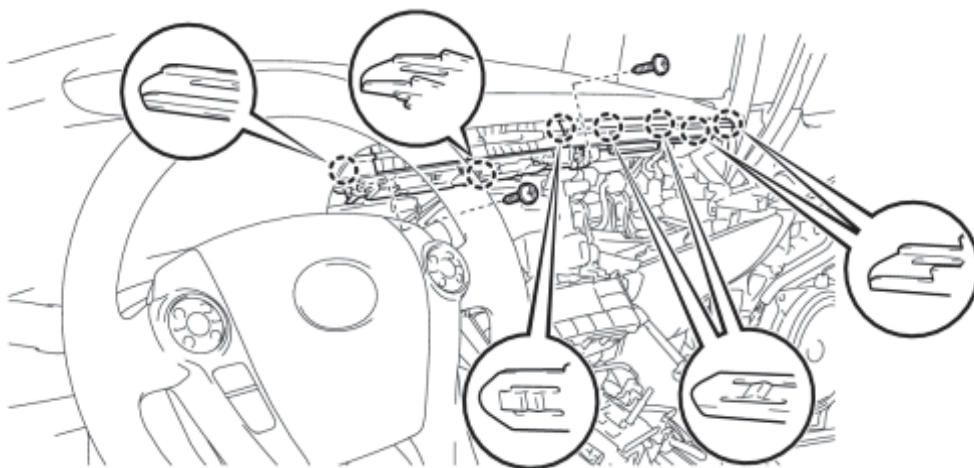
32. REMOVE FRONT NO. 2 SPEAKER ASSEMBLY

HINT:

Use the same procedure for the RH side and LH side INFO.

33. REMOVE CENTER INSTRUMENT CLUSTER FINISH PANEL GARNISH

- (a) Remove the 2 screws <C>.
- (b) Disengage the 7 claws.
- (c) Disconnect the connector and remove the center instrument cluster finish panel garnish.



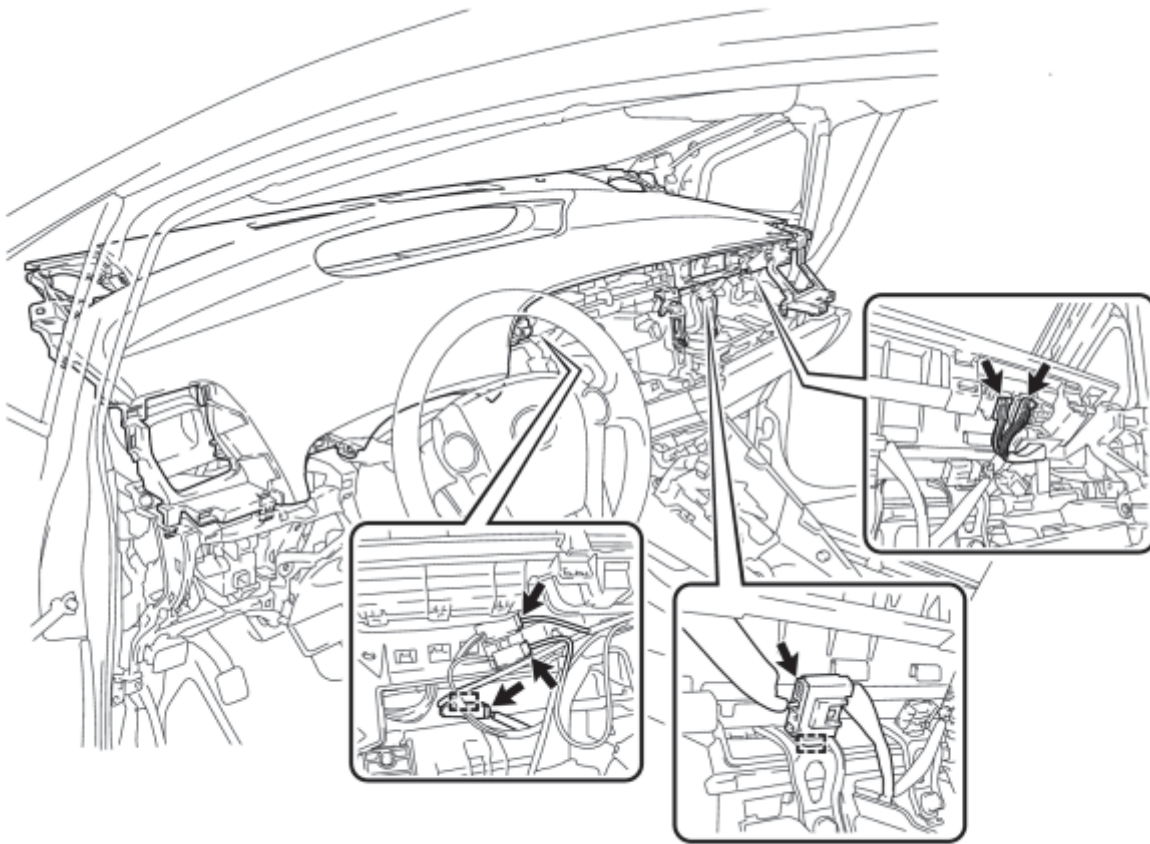
P

34. DISCONNECT NO. 3 INSTRUMENT PANEL WIRE INFO

35. REMOVE UPPER INSTRUMENT PANEL ASSEMBLY

- (a) Disconnect each connector.

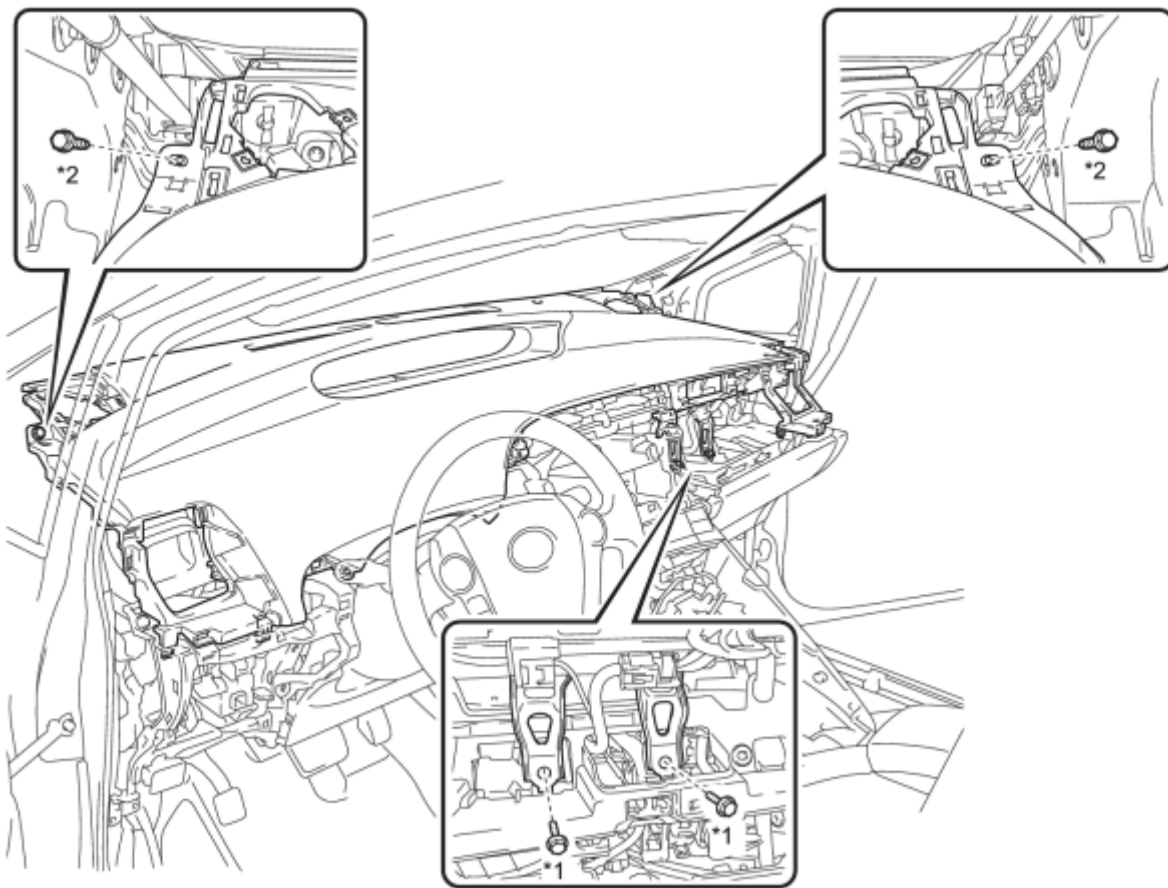
(b) Disengage the 2 clamps.



P

(c) Remove the 2 bolts .

(d) Remove the 2 passenger airbag bolts <A>.



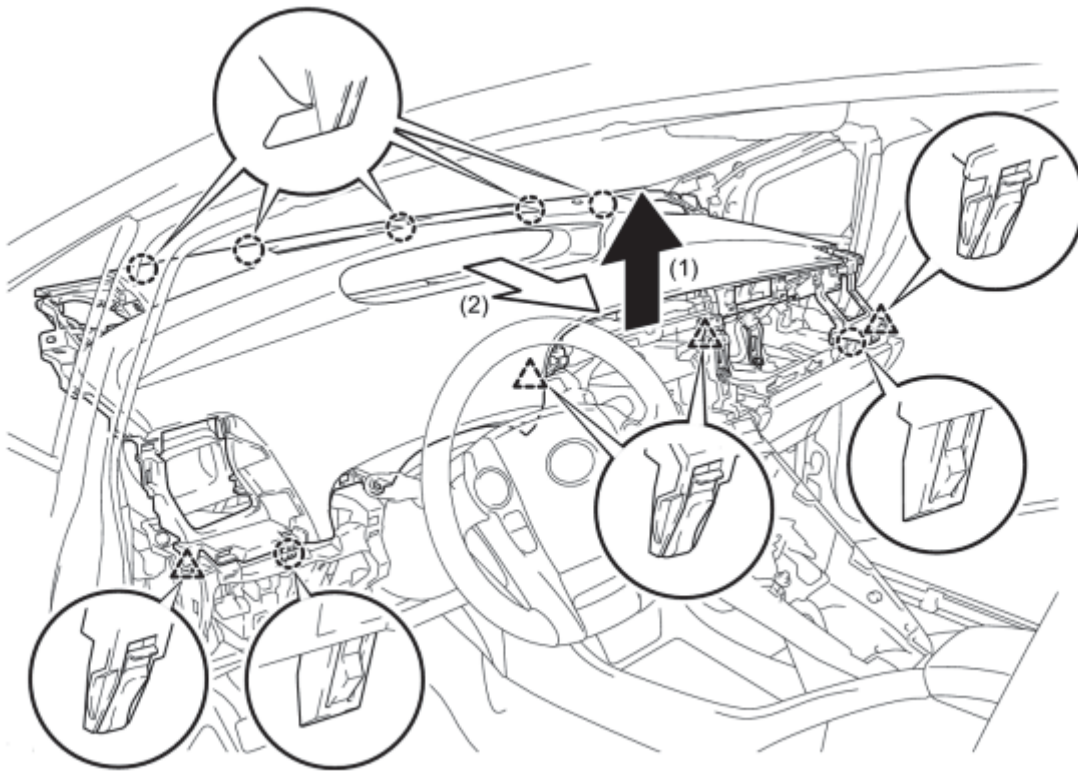
P

Text in Illustration

*1	Passenger Airbag Bolt <A>	*2	Bolt
----	---------------------------	----	----------

(e) Pull the upper instrument panel assembly in the direction indicated by the arrow to disengage the 2 claws and 4 clips.

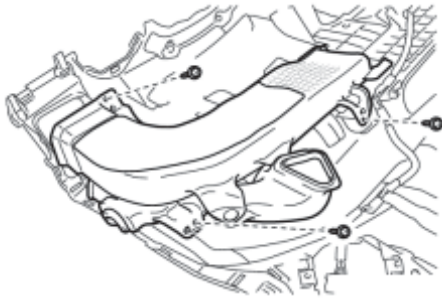
(f) Pull the upper instrument panel assembly in the direction indicated by the arrow to disengage the 5 claws and remove the upper instrument panel assembly.



P

DISASSEMBLY

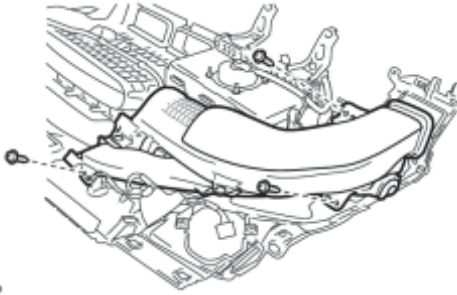
1. REMOVE NO. 3 HEATER TO REGISTER DUCT



(a) Remove the 3 screws <C> and No. 3 heater to register duct.

P

2. REMOVE NO. 2 HEATER TO REGISTER DUCT



(a) Remove the 3 screws <C> and No. 2 heater to register duct.

P

3. REMOVE PLASMACLUSTER WITH BRACKET (w/ Plasmacluster) INFO

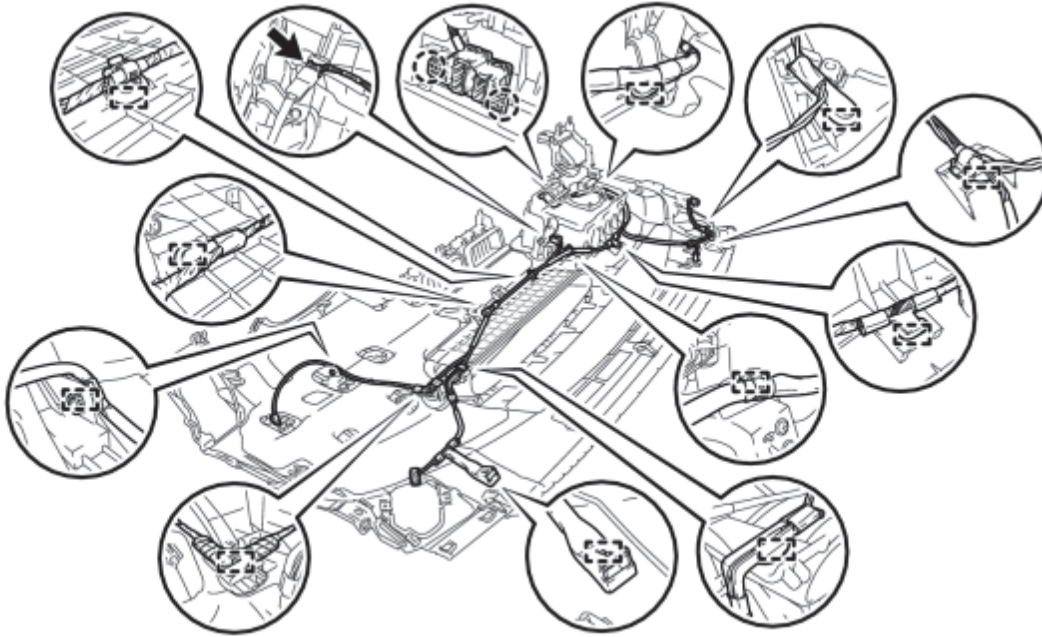
4. REMOVE NAVIGATION ANTENNA ASSEMBLY (w/ Navigation System) INFO

5. REMOVE AUTOMATIC LIGHT CONTROL SENSOR INFO

6. REMOVE NO. 2 INSTRUMENT PANEL WIRE

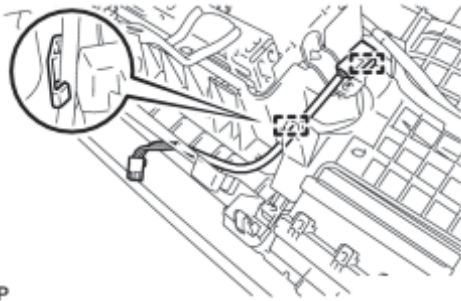
(a) Disconnect the connector.

(b) Disengage the 2 claws and each clamp, and remove the No. 2 instrument panel wire.



P

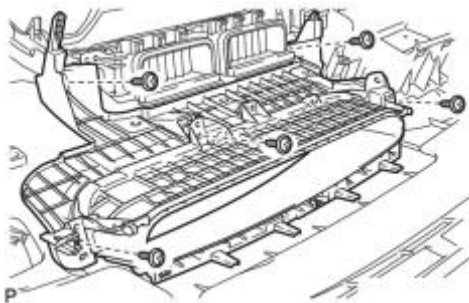
7. REMOVE NO. 5 INSTRUMENT PANEL WIRE



P

(a) Disengage the 2 clamps and remove the No. 5 instrument panel wire.

8. REMOVE INSTRUMENT CLUSTER FINISH PANEL ASSEMBLY

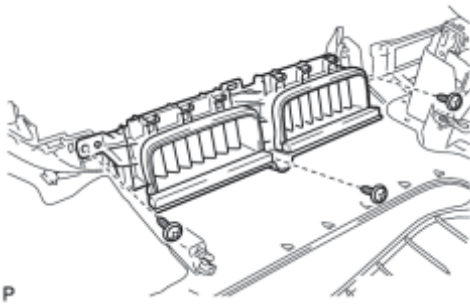


P

(a) Remove the 5 screws <C> and instrument cluster finish panel assembly.

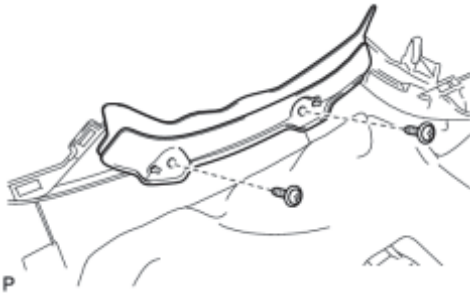
9. REMOVE CENTER INSTRUMENT PANEL REGISTER ASSEMBLY

(a) Remove the 3 screws <C> and center instrument panel register



assembly.

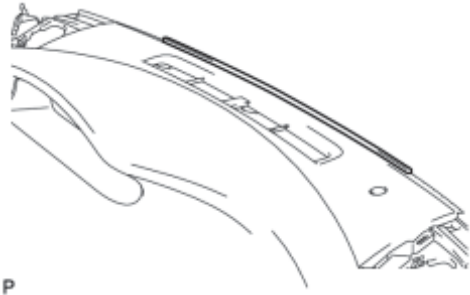
10. REMOVE METER HOOD SPACER



(a) Remove the 2 screws <C> and meter hood spacer.

11. REMOVE FRONT PASSENGER SIDE AIRBAG ASSEMBLY [INFO](#)

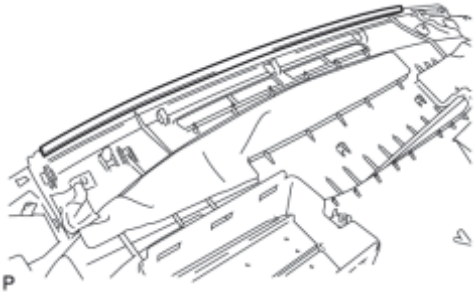
12. REMOVE NO. 1 INSTRUMENT PANEL CUSHION



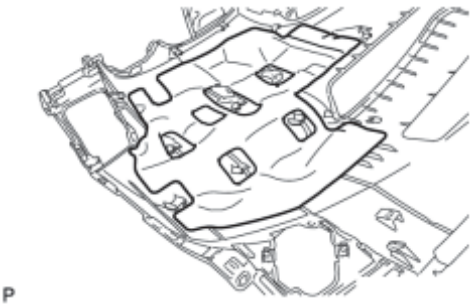
(a) Remove the No. 1 instrument panel cushion.

13. REMOVE INSTRUMENT PANEL CUSHION

(a) Remove the instrument panel cushion.

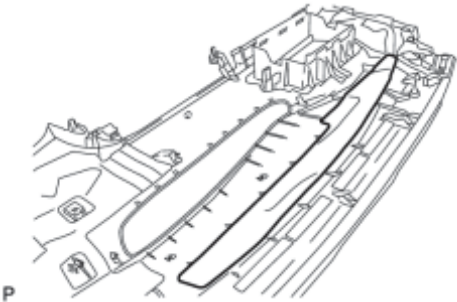


14. REMOVE NO. 2 INSTRUMENT PANEL CUSHION



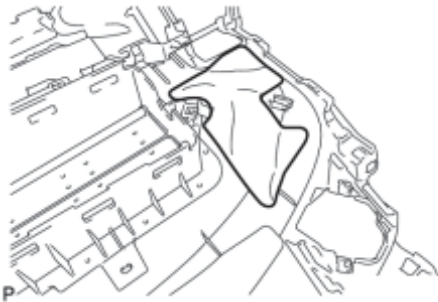
(a) Remove the No. 2 instrument panel cushion.

15. REMOVE NO. 4 INSTRUMENT PANEL CUSHION



(a) Remove the No. 4 instrument panel cushion.

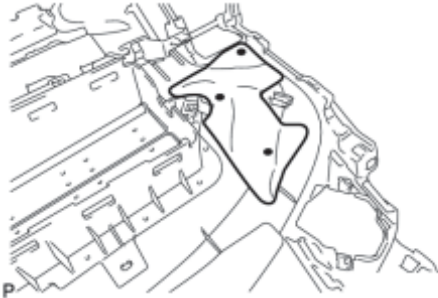
16. REMOVE NO. 5 INSTRUMENT PANEL CUSHION



(a) Remove the No. 5 instrument panel cushion.

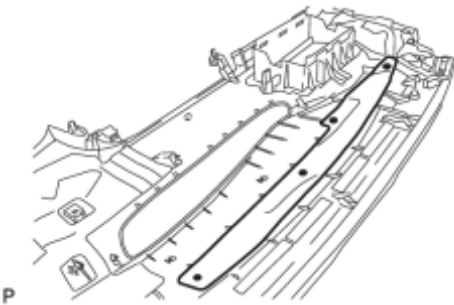
REASSEMBLY

1. INSTALL NO. 5 INSTRUMENT PANEL CUSHION



(a) Using hot-melt glue and install a new No. 5 instrument panel cushion as shown in the illustration.

2. INSTALL NO. 4 INSTRUMENT PANEL CUSHION



(a) Using hot-melt glue and install a new No. 4 instrument panel cushion as shown in the illustration.

3. INSTALL NO. 2 INSTRUMENT PANEL CUSHION

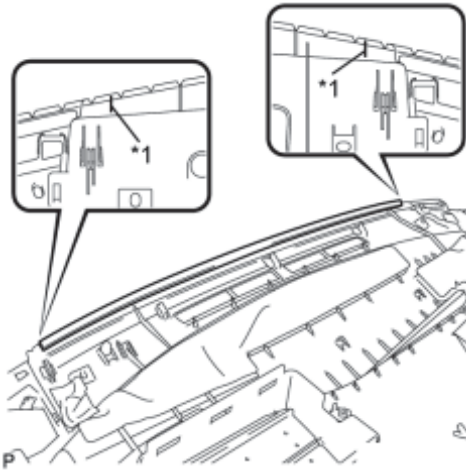


(a) Using hot-melt glue and install a new No. 2 instrument panel cushion as shown in the illustration.

4. INSTALL INSTRUMENT PANEL CUSHION

(a) Align the marking lines on the upper instrument panel with the ends of the instrument panel cushion and install a new instrument panel cushion

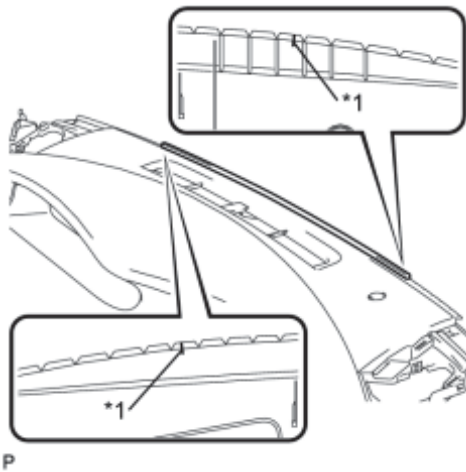
as shown in the illustration.



Text in Illustration

*1	Marking Line
----	--------------

5. INSTALL NO. 1 INSTRUMENT PANEL CUSHION



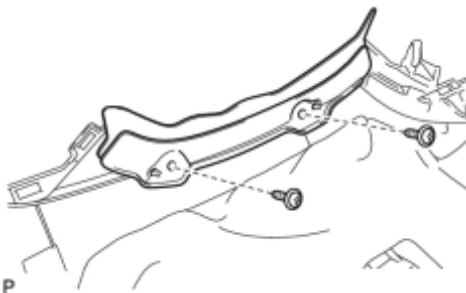
(a) Align the marking lines on the upper instrument panel with the ends of the No. 1 instrument panel cushion and install a new No. 1 instrument panel cushion as shown in the illustration.

Text in Illustration

*1	Marking Line
----	--------------

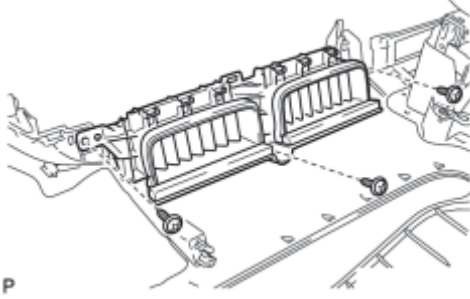
6. INSTALL FRONT PASSENGER SIDE AIRBAG ASSEMBLY_ INFO

7. INSTALL METER HOOD SPACER



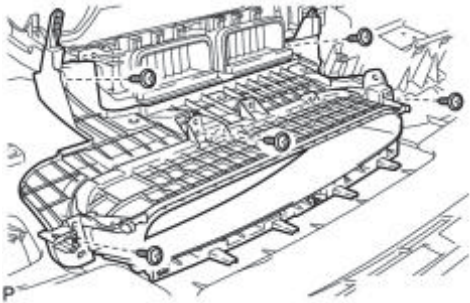
(a) Install the meter hood spacer with the 2 screws <C>.

8. INSTALL CENTER INSTRUMENT PANEL REGISTER ASSEMBLY



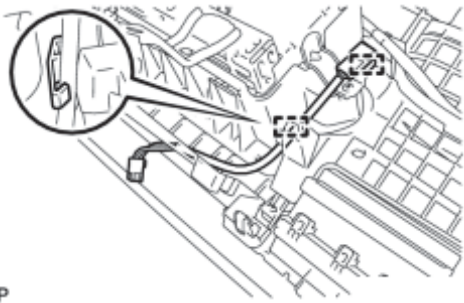
(a) Install the center instrument panel register assembly with the 3 screws <C>.

9. INSTALL INSTRUMENT CLUSTER FINISH PANEL ASSEMBLY



(a) Install the instrument cluster finish panel assembly with the 5 screws <C>.

10. INSTALL NO. 5 INSTRUMENT PANEL WIRE

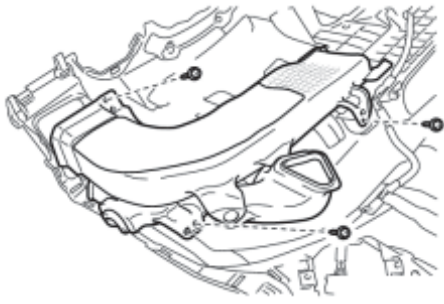


(a) Engage the 2 clamps to install the No. 5 instrument panel wire.

11. INSTALL NO. 2 INSTRUMENT PANEL WIRE

(a) Engage each clamp and 2 claws.

(b) Connect the connector to install the No. 2 instrument panel wire.



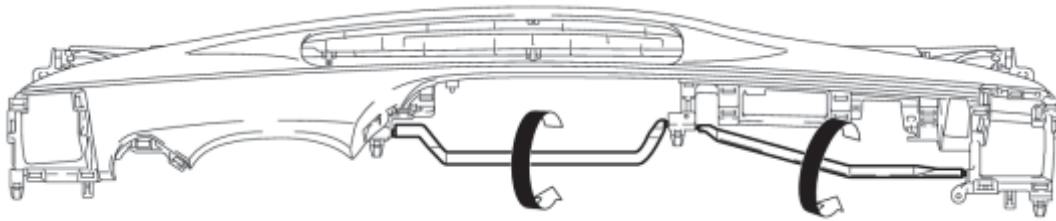
P

INSTALLATION

1. INSTALL UPPER INSTRUMENT PANEL ASSEMBLY

(a) When using a new upper instrument panel sub-assembly:

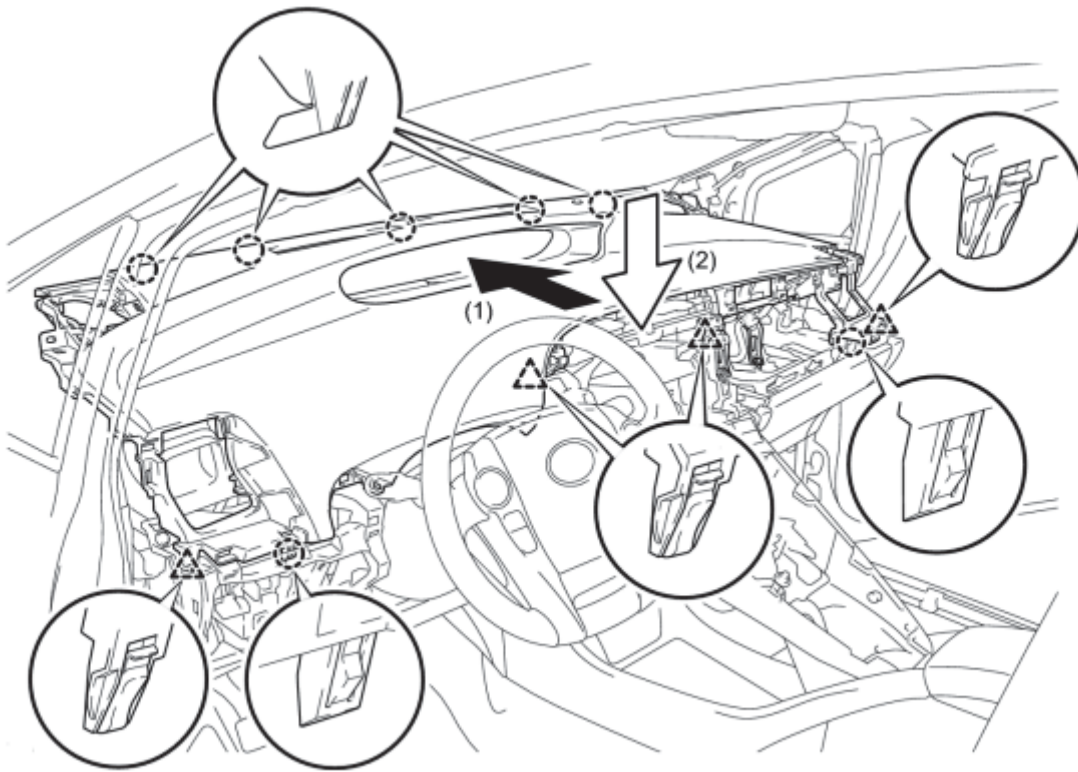
(1) Immediately before installing the upper instrument panel assembly, twist and cut off the portions shown in the illustration.



P

(b) Engage the 5 claws as shown in the illustration.

(c) Engage the 2 claws and 4 clips, and install the upper instrument panel assembly as shown in the illustration.

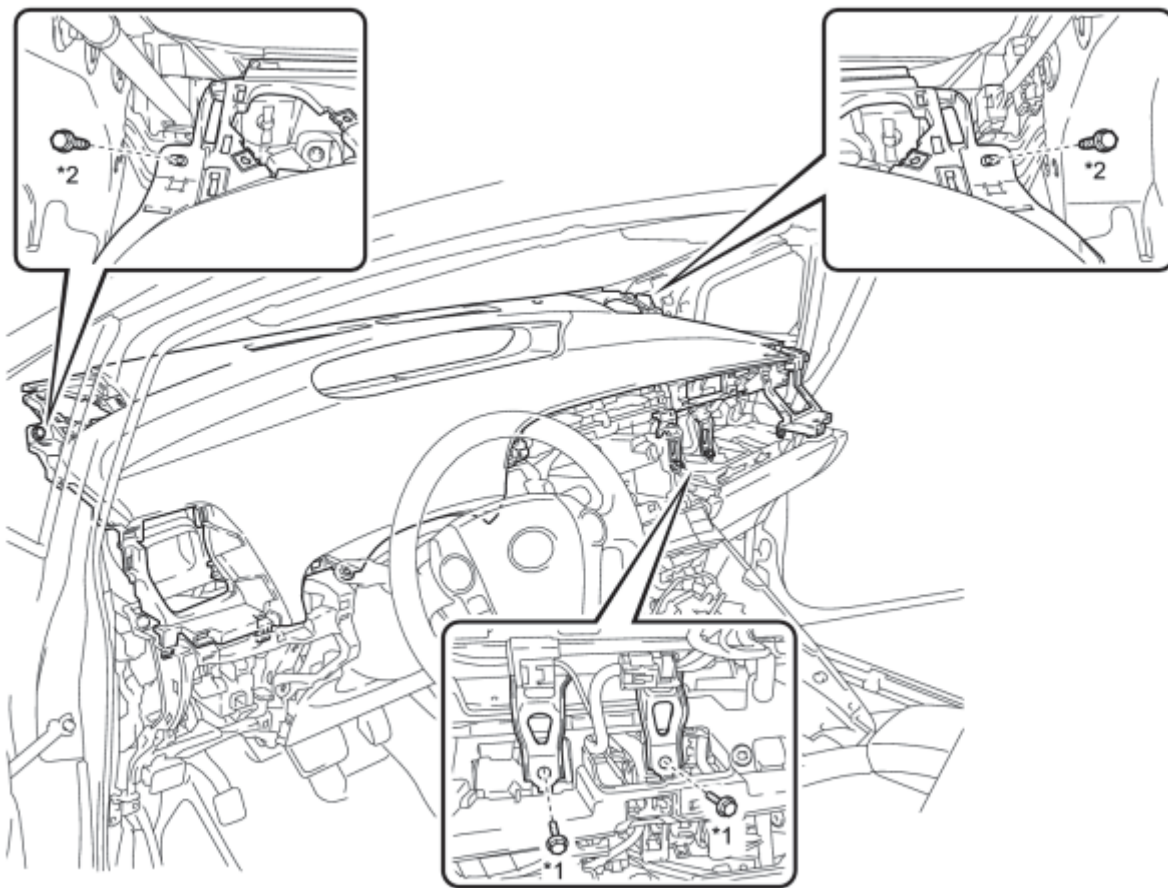


P

(d) Install the 2 bolts .

(e) Install the 2 passenger airbag bolts <A>.

Torque: **20 N·m (204 kgf·cm, 15ft·lbf)**



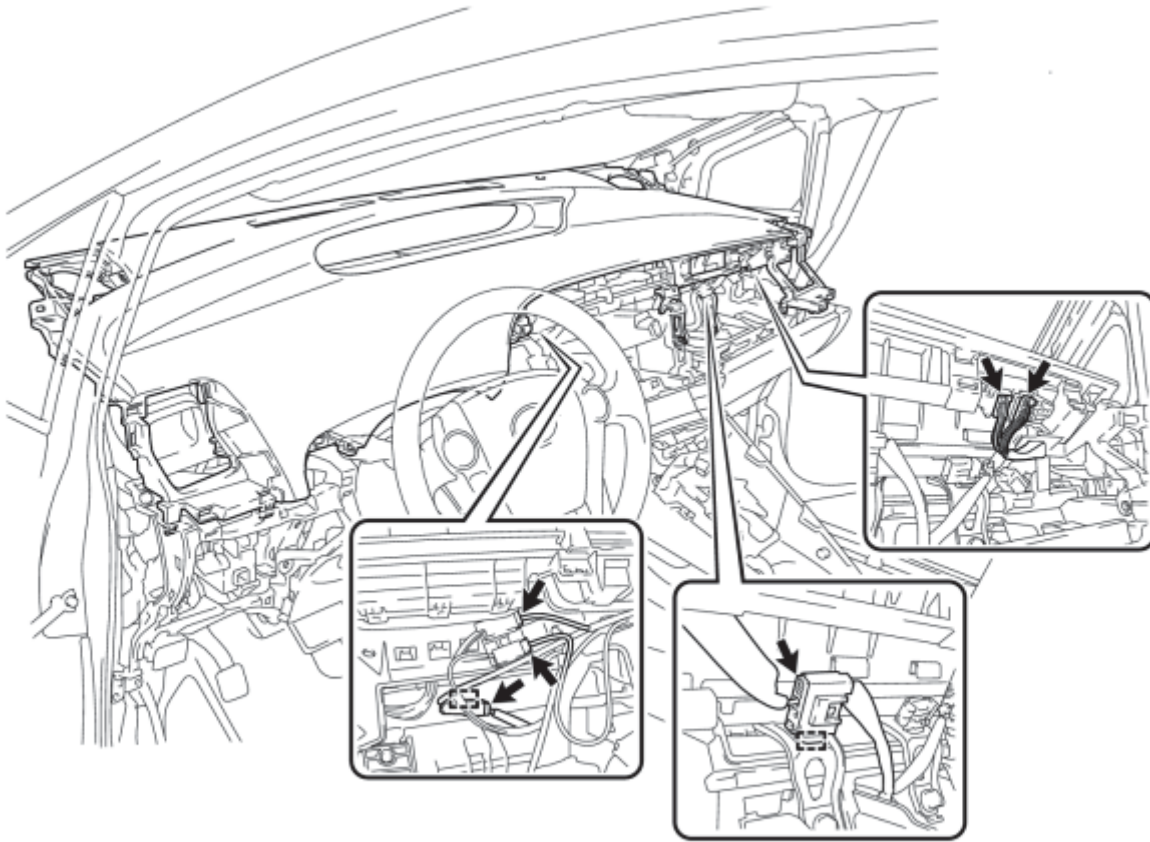
P

Text in Illustration

*1	Passenger Airbag Bolt <A>	*2	Bolt
----	---------------------------	----	----------

(f) Engage the 2 clamps.

(g) Connect each connector.



P

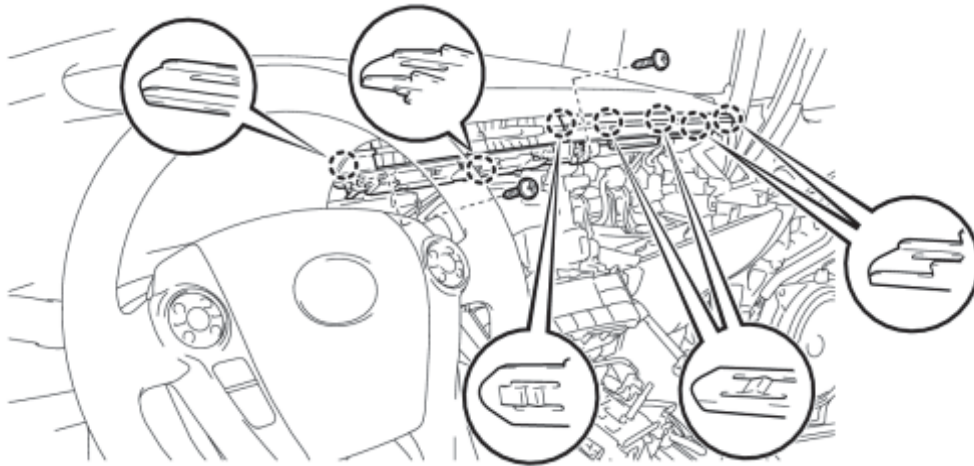
2. CONNECT NO. 3 INSTRUMENT PANEL WIRE INFO

3. INSTALL CENTER INSTRUMENT CLUSTER FINISH PANEL GARNISH

(a) Connect the connector.

(b) Engage the 7 claws.

(c) Install the center instrument cluster finish panel garnish with the 2 screws <C>.



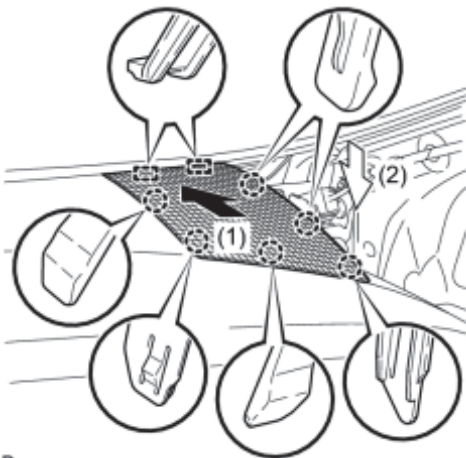
P

4. INSTALL FRONT NO. 2 SPEAKER ASSEMBLY

HINT:

Use the same procedure for the RH side and LH side NFC.

5. INSTALL NO. 2 INSTRUMENT PANEL SPEAKER PANEL SUB-ASSEMBLY

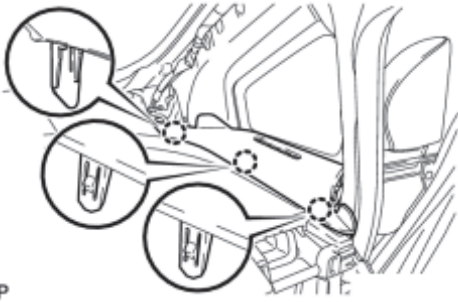


P

(a) Engage the 2 guides and 6 claws to install the No. 2 instrument panel speaker panel sub-assembly as shown in the illustration.

6. INSTALL FRONT PILLAR GARNISH CORNER PIECE RH

(a) Engage the 3 claws to install the front pillar garnish corner piece RH.



P

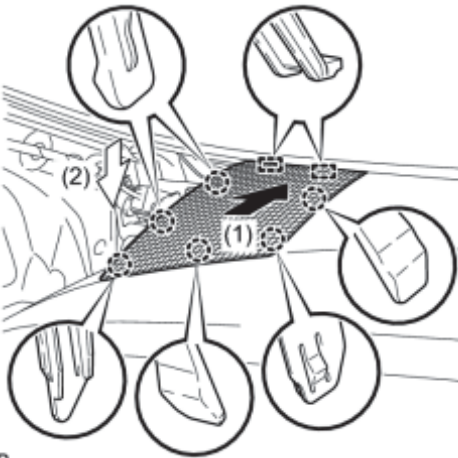
7. INSTALL FRONT PILLAR GARNISH RH

HINT:

Use the same procedure for the RH side and LH side INFO.

8. INSTALL FRONT NO. 2 SPEAKER ASSEMBLY INFO

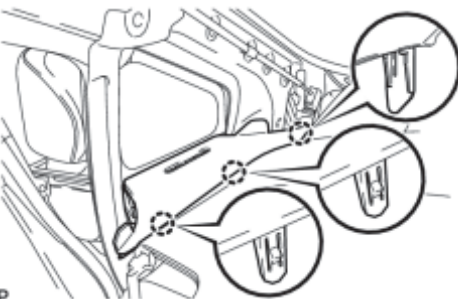
9. INSTALL NO. 1 INSTRUMENT PANEL SPEAKER PANEL SUB-ASSEMBLY



P

(a) Engage the 2 guides and 6 claws to install the No. 1 instrument panel speaker panel sub-assembly as shown in the illustration.

10. INSTALL FRONT PILLAR GARNISH CORNER PIECE LH



P

(a) Engage the 3 claws to install the front pillar garnish corner piece LH.

11. INSTALL FRONT PILLAR GARNISH LH INFO

12. INSTALL INSTRUMENT PANEL FINISH PANEL END RH



(a) Engage the guide as shown in the illustration.

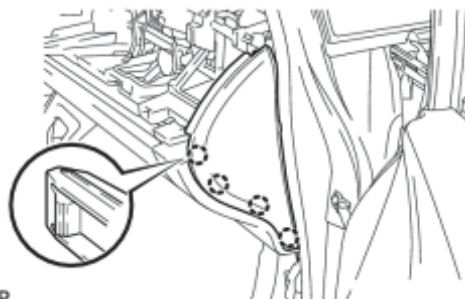


P



(b) Engage the guide as shown in the illustration.

P



(c) Engage the 4 claws to install the instrument panel finish panel end RH.

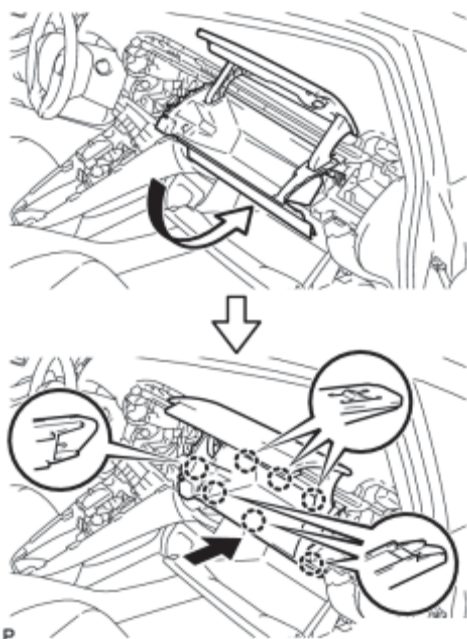
P

13. CONNECT FRONT DOOR OPENING TRIM WEATHERSTRIP RH_ INFO

14. INSTALL GLOVE COMPARTMENT DOOR

(a) Open the glove compartment door assembly.

(b) Insert the glove compartment door as shown in the illustration.



(c) Engage the 7 claws to install the glove compartment door.

15. INSTALL NO. 2 INSTRUMENT PANEL REGISTER



(a) Engage the 3 claws and clip to install the No. 2 instrument panel register.

16. INSTALL NO. 1 SIDE DEFROSTER NOZZLE



(a) Engage the 3 claws to install the No. 1 side defroster nozzle.

17. INSTALL INSTRUMENT PANEL FINISH PANEL END LH



(a) Engage the guide as shown in the illustration.



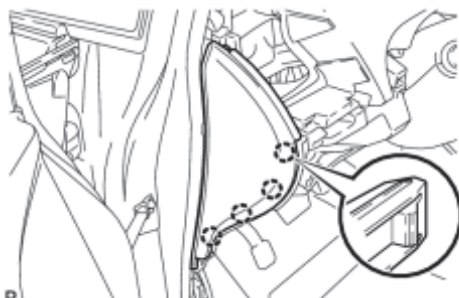
P



(b) Engage the guide as shown in the illustration.



P



(c) Engage the 4 claws to install the instrument panel finish panel end LH.

P

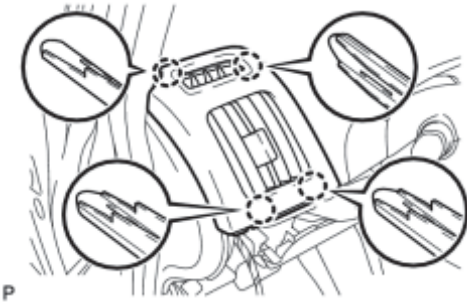
18. CONNECT FRONT DOOR OPENING TRIM WEATHERSTRIP LH_ INFO

19. INSTALL NO. 1 CENTER INSTRUMENT CLUSTER FINISH PANEL

(a) Engage the 4 claws to install the No. 1 center instrument cluster finish panel.



20. INSTALL NO. 1 INSTRUMENT PANEL REGISTER

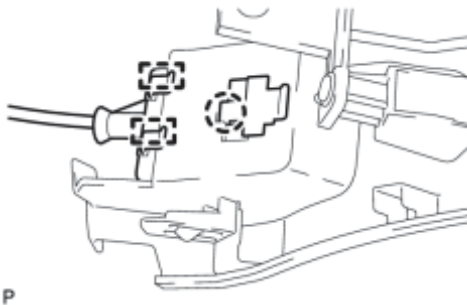


(a) Engage the 4 claws to install the No. 1 instrument panel register.

21. INSTALL LOWER INSTRUMENT PANEL FINISH PANEL ASSEMBLY

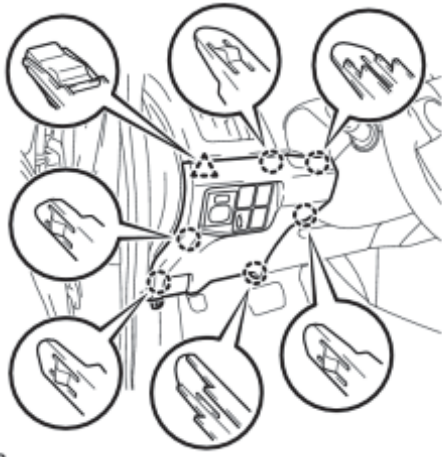
(a) Connect each connector.

(b) Engage the clamp.



(c) Engage the 2 guides and claw to connect the hood lock control cable.

(d) Engage the 6 claws and clip.



P

(e) Install the lower instrument panel finish panel assembly with the screw <C>.



P

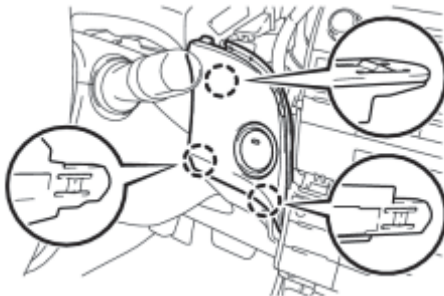
22. INSTALL COWL SIDE TRIM SUB-ASSEMBLY LH INFO

23. INSTALL FRONT DOOR SCUFF PLATE LH INFO

24. INSTALL NAVIGATION RECEIVER WITH BRACKET (w/ Navigation System) INFO

25. INSTALL RADIO RECEIVER WITH BRACKET (w/o Navigation System) INFO

26. INSTALL UPPER INSTRUMENT PANEL FINISH PANEL SUB-ASSEMBLY



P

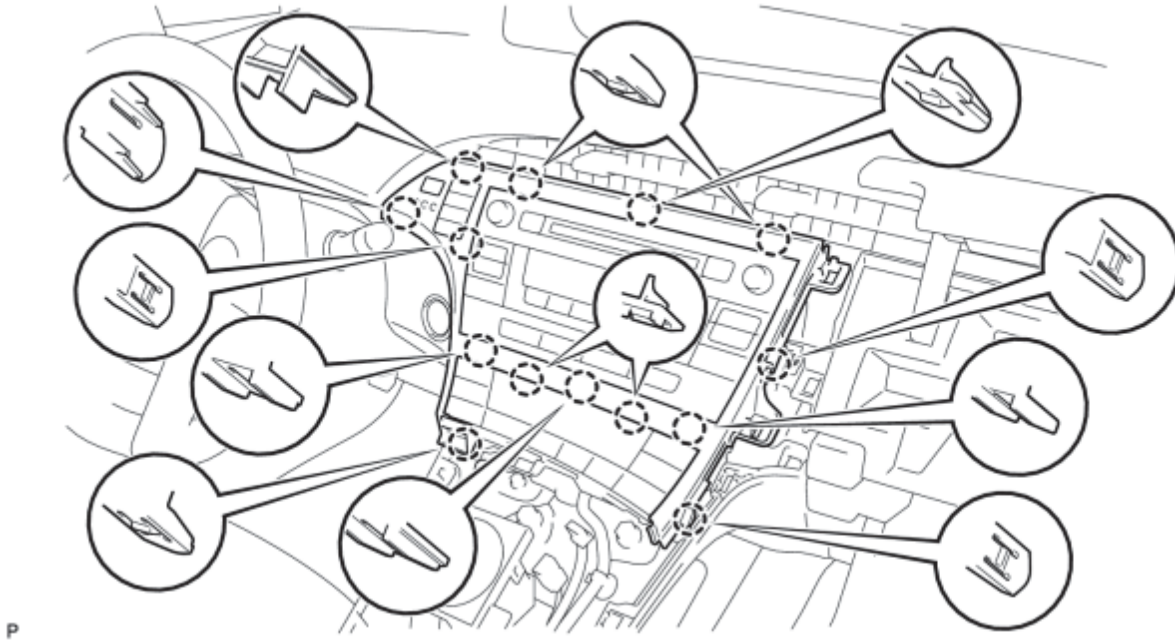
(a) Connect the connector.

(b) Engage the 3 claws to install the upper instrument panel finish panel sub-assembly.

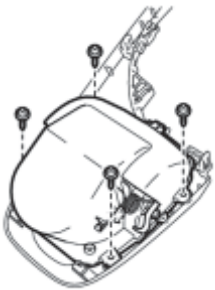
27. INSTALL INSTRUMENT CLUSTER FINISH PANEL GARNISH

(a) Connect the connector.

(b) Engage the 14 claws to install the instrument cluster finish panel garnish.



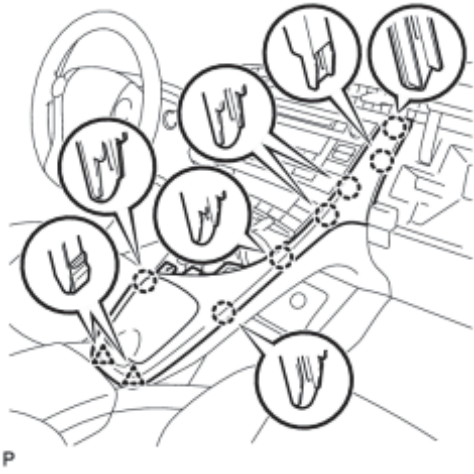
28. INSTALL INSTRUMENT PANEL CUP HOLDER ASSEMBLY



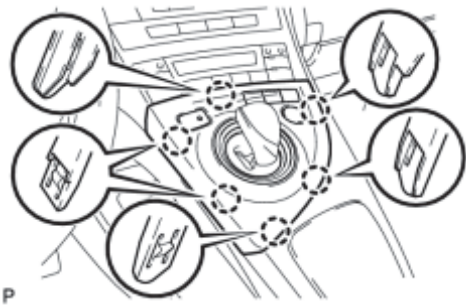
(a) Install the instrument panel cup holder with the 4 screws <C> to the lower center instrument cluster finish panel sub-assembly.

29. INSTALL LOWER CENTER INSTRUMENT CLUSTER FINISH PANEL SUB-ASSEMBLY

(a) Engage the 7 claws and 2 clips to install the lower center instrument cluster finish panel sub-assembly.



30. INSTALL INTEGRATION CONTROL AND PANEL ASSEMBLY



(a) Connect each connector.

(b) Engage the 6 claws to install the integration control and panel assembly.

31. CONNECT CABLE TO NEGATIVE BATTERY TERMINAL

NOTICE:

When disconnecting the cable, some systems need to be initialized after the cable is reconnected INFO.

32. INSTALL REAR NO. 3 FLOOR BOARD INFO

33. INSTALL REAR DECK FLOOR BOX INFO

34. INSTALL REAR NO. 2 FLOOR BOARD (for Separate Type) INFO

35. INSPECT SRS WARNING LIGHT

(a) Inspect the SRS warning light INFO.