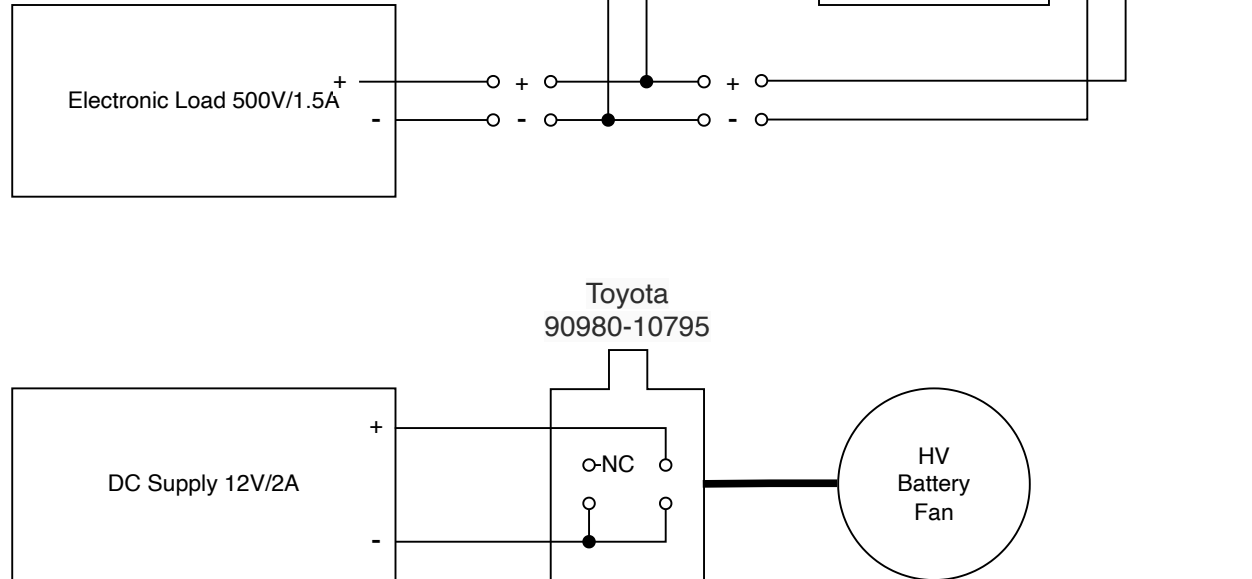


Recommended Parts List	
350mA Supply	Meanwell HLG-80H-350A (Metal, 3-wire, adjustable) Meanwell LPC-100-350 (Plastic, 2-wire)
Electronic Load	Lecroy T3EL50015P GW Instek PEL-3031E (OEM of T3EL) B&K 8502
12V Supply	HP/Agilent E3610A (my favorite) but you can use any bench supply Meanwell RS-25-12 (but you'll need to wire a switch/plug/fuse, so not that much cheaper)
Wire	Ancor 18AWG Stranded, Flat Duplex Marine (made in USA, tinned for corrosion resistance, easier soldering, not that much more than generic cable)
Harness Connector	IDEAL PowerPlug 102 IDEAL PowerPlug 102X (easier for y-cables)
HV Battery Connector	M5 or #10 Ring Terminal (make sure it's sized for 18AWG)
Fan Connector	Toyota 90980-10795 Sumitomo 090 type 4 pole TS series F (OEM)
Fuse Holder	Littelfuse 01500322HXRED 500VAC/VDC 15A 18AWG (for some reason, I had the hardest time finding a 6.3x32mm 250VDC+ rated fuse holder, this is one that's reasonably priced)
Fuses	Schurter 8020.5014 500VAC/400VDC 2A Slow Blow Schurter 8020.5071 500VAC/400VDC 2A Fast Blow
Misc	1N4007 Diode 5-15p Plug Leviton 1470 Switch (easier than soldering one inline) Banana Plugs (for connecting 12V Supply) 3/16" Heat Shrink Tubing Solder/Flux
Tools	Hozan P-707 Crimper (my favorite) TS-101 Soldering Iron



Title	Prius Grid Charger/Discharger with Electronic Load	
Link	<a href="https://priuschat.com/threads/what-type-of-connector-does-a-prolong-charger-discharger-use.236752/">https://priuschat.com/threads/what-type-of-connector-does-a-prolong-charger-discharger-use.236752/</a>	
Drawn By	<a href="https://priuschat.com/members/catninja.203215/">https://priuschat.com/members/catninja.203215/</a>	
Date	11/22/2022	Revision 1.0
Sheet	1 of 1	