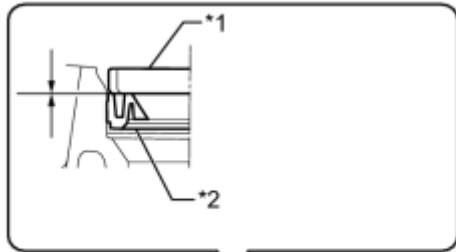




Text in Illustration

| | |
|---|-----------------|
|  | Part to Cut Off |
|---|-----------------|



(b) Using a hammer and the plug tube gasket which has had the sealing part cut off, uniformly tap in a new plug tube gasket all the way.

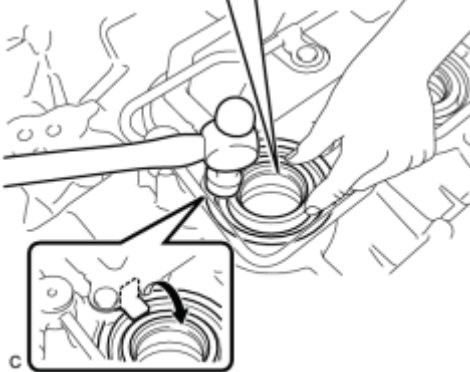
Text in Illustration

| | |
|----|---------------------------------------|
| *1 | Plug Tube Gasket without Sealing Part |
| *2 | New Plug Tube Gasket |

- Keep the lip free of foreign matter.
- Do not tap in the plug tube gasket.

HINT:

If a plug tube gasket that will be used to install a new gasket is deformed, and cannot be positioned on a new gasket, correct the deformation using pliers.



(c) Return the claws of the ventilation baffle plate to their original positions.

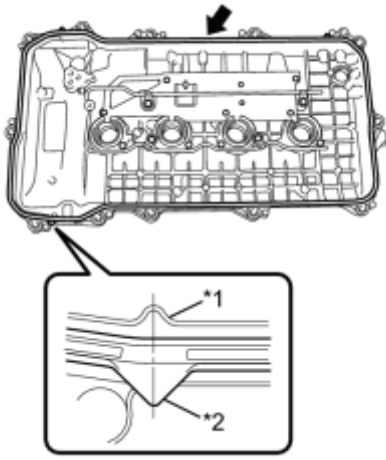
44. INSTALL CYLINDER HEAD COVER GASKET

(a) Install a new cylinder head cover gasket to the cylinder head cover.

Text in Illustration

| | |
|----|----------------------------|
| *1 | Cylinder Head Cover |
| *2 | Cylinder Head Cover Gasket |

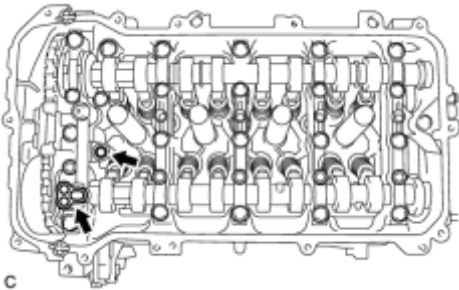
- Remove any oil from the contact surfaces.
- Misalignment between the center of the cylinder head cover rib



and the center of the cylinder head gasket tab is within 4 mm (0.157 in.).

c

45. INSTALL CYLINDER HEAD COVER SUB-ASSEMBLY



(a) Install 2 new gaskets to the camshaft bearing cap.

c

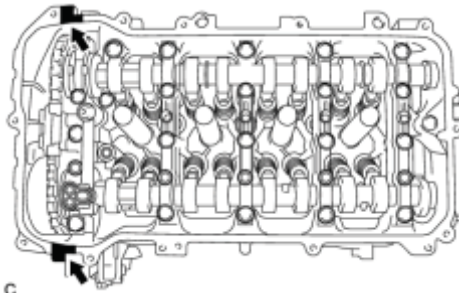
(b) Apply seal packing as shown the illustration.

Seal packing:

Toyota Genuine Seal Packing Black, Three Bond 1207B or equivalent

Standard diameter:

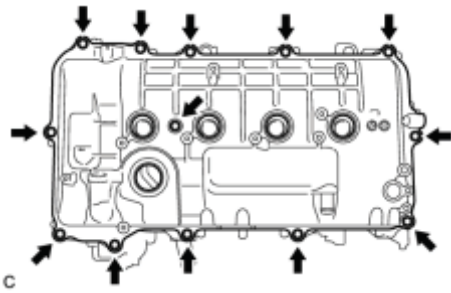
4.0 mm (0.157 in.)



c

- Remove any oil from the contact surfaces.
- Install the cylinder head cover sub-assembly within 3 minutes and tighten the bolts within 15 minutes of applying seal packing.
- Do not start the engine for at least 2 hours after the installation.

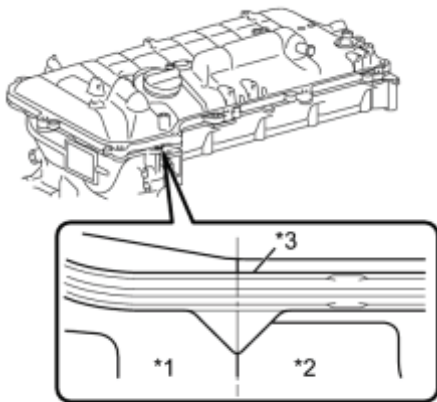
(c) Install the cylinder head cover with a new seal washer and the 13 bolts.



Torque: 10 N·m (102 kgf·cm, 7ft·lbf)

NOTICE:

Misalignment between the contact surfaces of the timing chain cover and the camshaft housing and the center of the cylinder head gasket tab is within 4 mm (0.157 in.).



Text in Illustration

| | |
|----|----------------------------|
| *1 | Timing Chain Cover |
| *2 | Camshaft Housing |
| *3 | Cylinder Head Cover Gasket |

46. INSTALL ENGINE OIL PRESSURE SWITCH ASSEMBLY

(a) Apply adhesive to 2 or 3 threads of the engine oil pressure switch assembly.

Text in Illustration

| | |
|----|----------|
| *1 | Adhesive |
|----|----------|