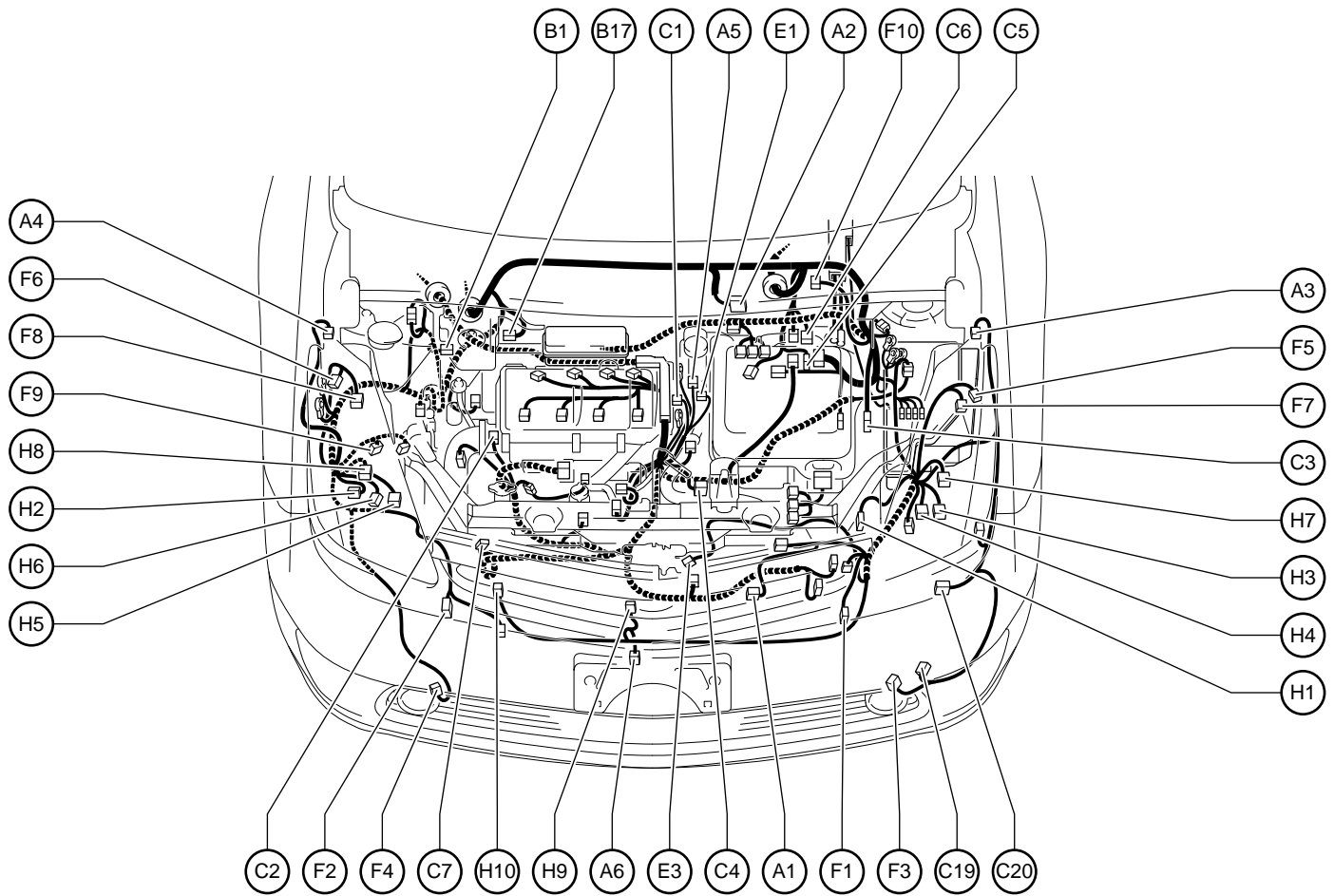


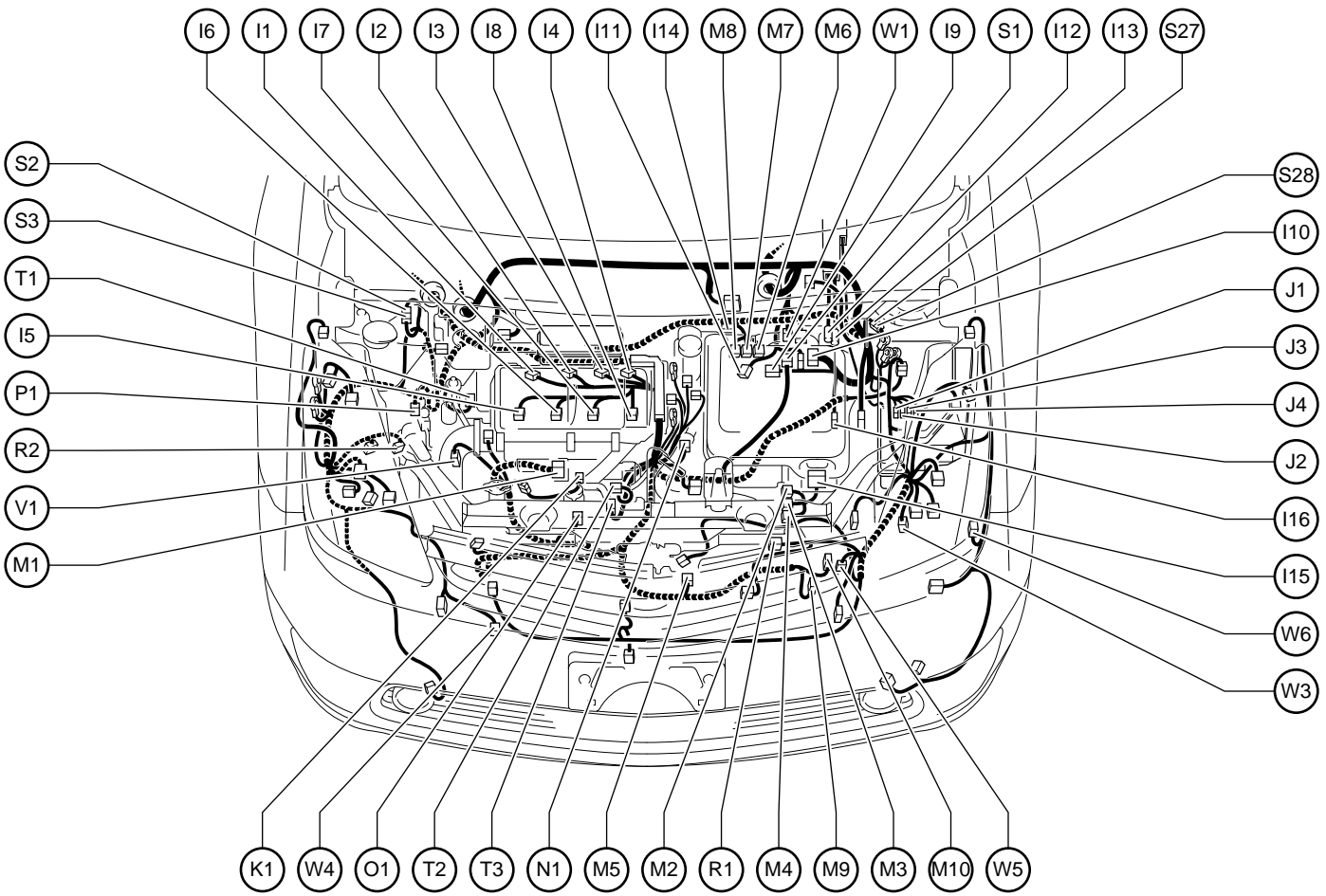
# G ELECTRICAL WIRING ROUTING

## Position of Parts in Engine Compartment



- |     |   |     |  |
|-----|---|-----|--|
| A 1 | A/C Condenser Fan Motor                         | F 1 | Front Airbag Sensor LH                   |
| A 2 | ABS & BA & TRAC & VSC Actuator                  | F 2 | Front Airbag Sensor RH                   |
| A 3 | ABS Speed Sensor Front LH                       | F 3 | Front Fog Light LH                       |
| A 4 | ABS Speed Sensor Front RH                       | F 4 | Front Fog Light RH                       |
| A 5 | Air Fuel Ratio Sensor (Bank 1 Sensor 1)         | F 5 | Front Side Marker Light LH               |
| A 6 | Ambient Temp. Sensor                            | F 6 | Front Side Marker Light RH               |
| B 1 | Brake Fluid Level Warning SW                    | F 7 | Front Turn Signal Light LH               |
| B17 | Brake Master Stroke Simulator Cylinder Assembly | F 8 | Front Turn Signal Light RH               |
| C 1 | Camshaft Position Sensor                        | F 9 | Front Washer Motor                       |
| C 2 | Camshaft Timing Oil Control Valve               | F10 | Front Wiper Motor                        |
| C 3 | Circuit Breaker Sensor                          | H 1 | Headlight Beam Level Control Actuator LH |
| C 4 | Compressor Assembly (Motor)<br>Inverter         | H 2 | Headlight Beam Level Control Actuator RH |
| C 5 | Converter                                       | H 3 | Headlight Assembly LH                    |
| C 6 | Converter                                       | H 4 | Headlight Assembly LH                    |
| C 7 | Crankshaft Position Sensor                      | H 5 | Headlight Assembly RH                    |
| C19 | Coolant Heat Storage Tank Outlet Temp. Sensor   | H 6 | Headlight Assembly RH                    |
| C20 | Coolant Heat Storage Water Pump                 | H 7 | Headlight LH                             |
| E 1 | Engine Coolant Temp. Sensor                     | H 8 | Headlight RH                             |
| E 3 | Engine Hood Courtesy SW                         | H 9 | Horn (High)                              |
|     |   | H10 | Horn (Low)                               |

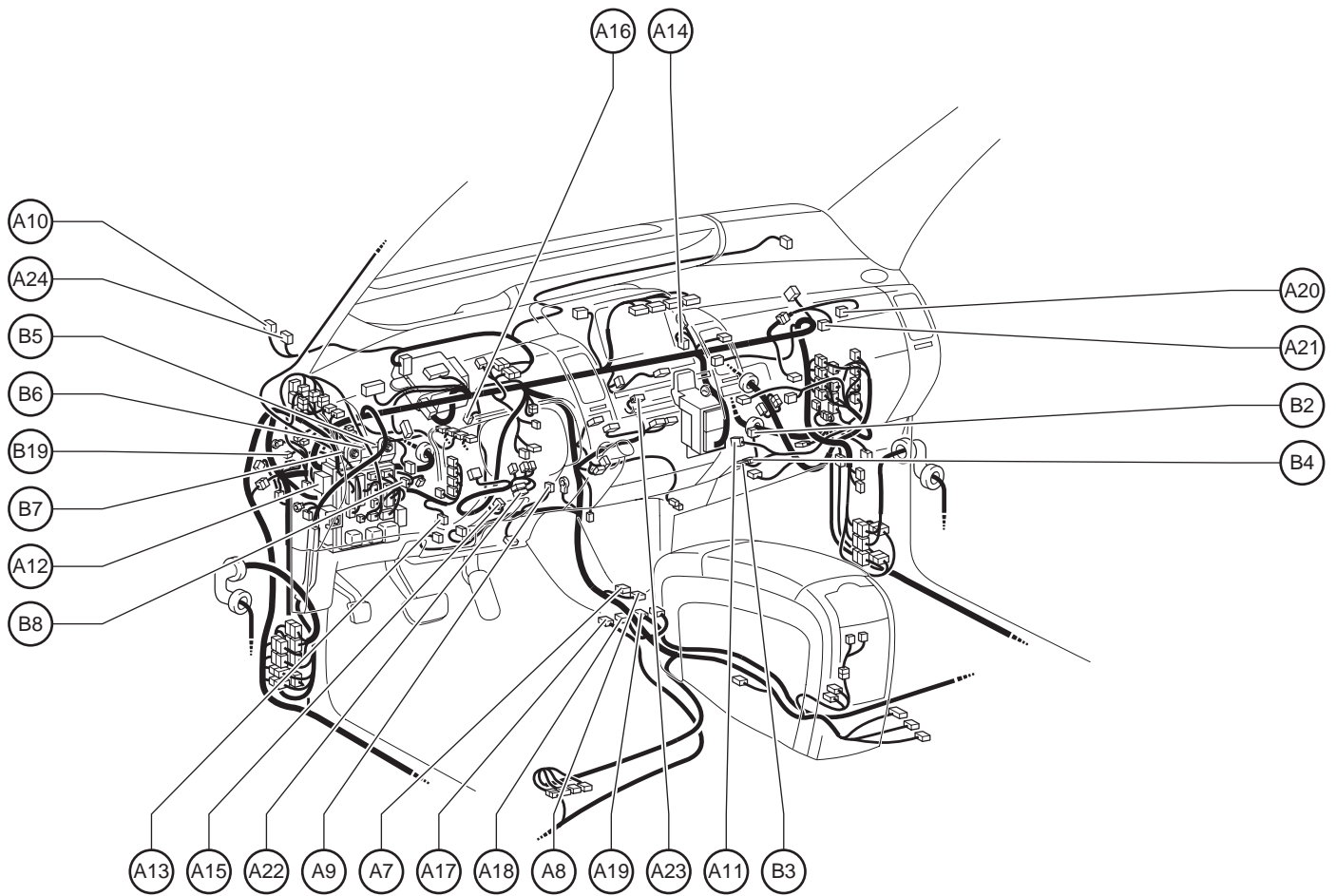
**Position of Parts in Engine Compartment**



- |      |                                |      |                              |
|------|--------------------------------|------|------------------------------|
| I 1  | Ignition Coil and Igniter No.1 | M 5  | Motor Generator No.1         |
| I 2  | Ignition Coil and Igniter No.2 | M 6  | Motor Generator No.2         |
| I 3  | Ignition Coil and Igniter No.3 | M 7  | Motor Generator No.2         |
| I 4  | Ignition Coil and Igniter No.4 | M 8  | Motor Generator No.2         |
| I 5  | Injector No.1                  | M 9  | Motor Generator No.2         |
| I 6  | Injector No.2                  | M 10 | Motor Generator No.2         |
| I 7  | Injector No.3                  | N 1  | Noise Filter (Ignition)      |
| I 8  | Injector No.4                  | O 1  | Oil Pressure SW              |
| I 9  | Inverter                       | P 1  | Pressure SW                  |
| I 10 | Inverter                       | R 1  | Radiator Fan Motor           |
| I 11 | Inverter                       | R 2  | Rear Washer Motor            |
| I 12 | Inverter                       | S 1  | Shift Control Actuator       |
| I 13 | Inverter                       | S 2  | Short Connector              |
| I 14 | Inverter                       | S 3  | Short Connector              |
| I 15 | Inverter                       | S 27 | Short Connector (Water Pump) |
| I 16 | Inverter                       | S 28 | Short Connector (Water Pump) |
| J 1  | Junction Connector             | T 1  | Theft Deterrent Horn         |
| J 2  | Junction Connector             | T 2  | Throttle Control Motor       |
| J 3  | Junction Connector             | T 3  | Throttle Position Sensor     |
| J 4  | Junction Connector             | V 1  | VSV (Purge)                  |
| K 1  | Knock Sensor (Bank 1)          | W 1  | Water Pump Motor (A/C)       |
| M 1  | Mass Air Flow Meter            | W 3  | Water Pump Motor (Inverter)  |
| M 2  | Motor Generator No.1           | W 4  | Water Temp. SW               |
| M 3  | Motor Generator No.1           | W 5  | Water Valve                  |
| M 4  | Motor Generator No.1           | W 6  | Wireless Door Lock Buzzer    |

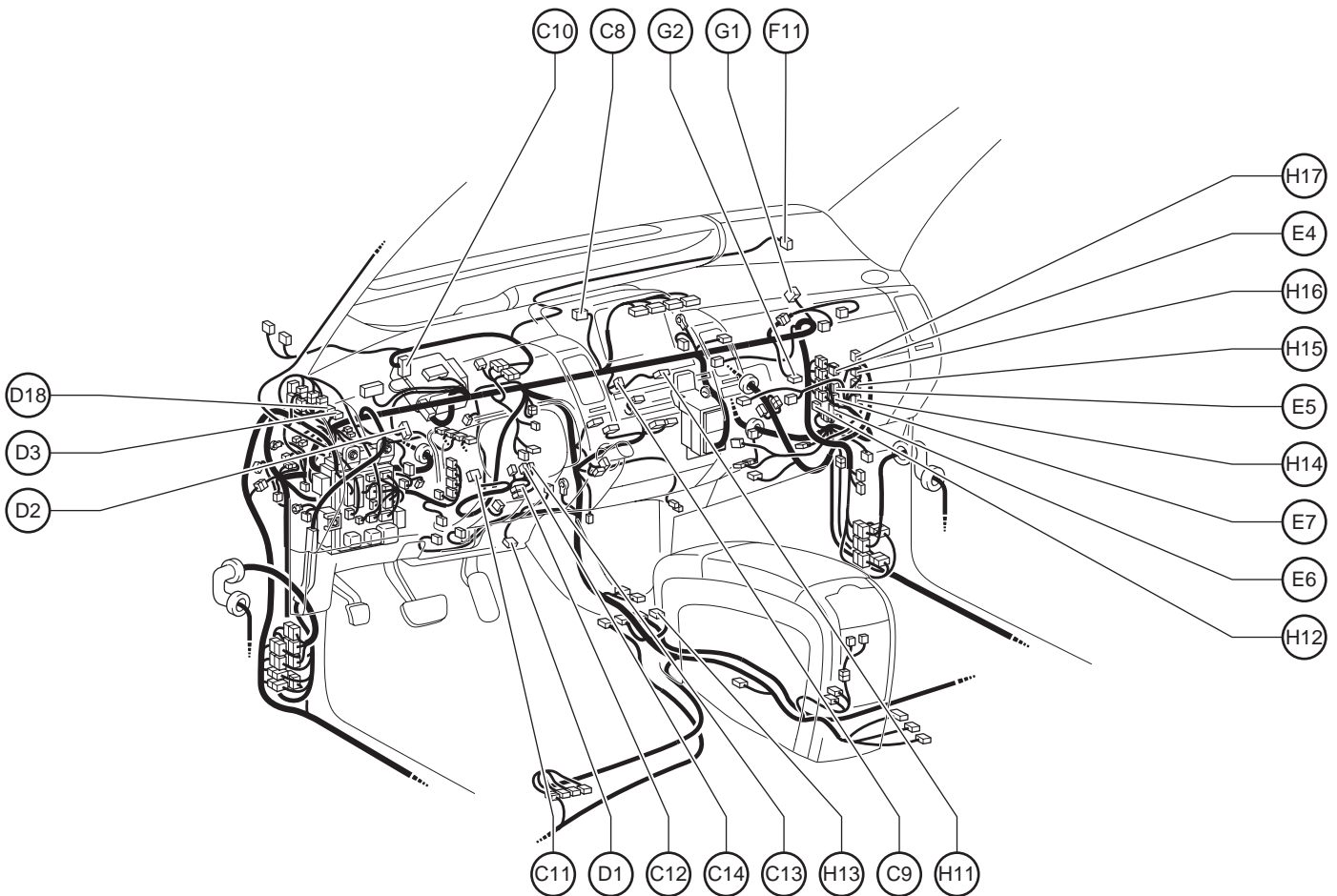
## G ELECTRICAL WIRING ROUTING

### Position of Parts in Instrument Panel



A 7	A/C Control Assembly	B 2	Blower Motor
A 8	A/C Control Assembly	B 3	Blower Motor Controller
A 9	A/C Room Temp. Sensor	B 4	Blower Motor Controller
A 10	A/C Solar Sensor	B 5	Body ECU
A 11	A/C Thermistor	B 6	Body ECU
A 12	ACC Relay	B 7	Body ECU
A 13	Accel Position Sensor	B 8	Brake Pedal Stroke Sensor
A 14	Air Inlet Control Servo Motor	B 19	Brake Actuator Resistor
A 15	Air Mix Control Servo Motor		
A 16	Air Vent Mode Control Servo Motor		
A 17	Airbag Sensor Assembly		
A 18	Airbag Sensor Assembly		
A 19	Airbag Sensor Assembly		
A 20	Airbag Squib (Front Passenger Airbag Assembly)		
A 21	Airbag Squib (Front Passenger Airbag Assembly)		
A 22	Airbag Squib (Steering Wheel Pad)		
A 23	Antenna Amplifier		
A 24	Automatic Light Control Sensor		

## Position of Parts in Instrument Panel



C 8 Center Speaker  
 C 9 Clock  
 C10 Combination Meter  
 C11 Combination SW  
 C12 Combination SW  
 C13 Combination SW  
 C14 Combination SW

D 1 Data Link Connector 3  
 D 2 Daytime Running Light Relay  
 D 3 Diode (Daytime Running Light)  
 D18 Diode (Rear Wiper)

E 4 Engine Control Module  
 E 5 Engine Control Module  
 E 6 Engine Control Module  
 E 7 Engine Control Module

F11 Front Passenger Seat Belt Warning Light

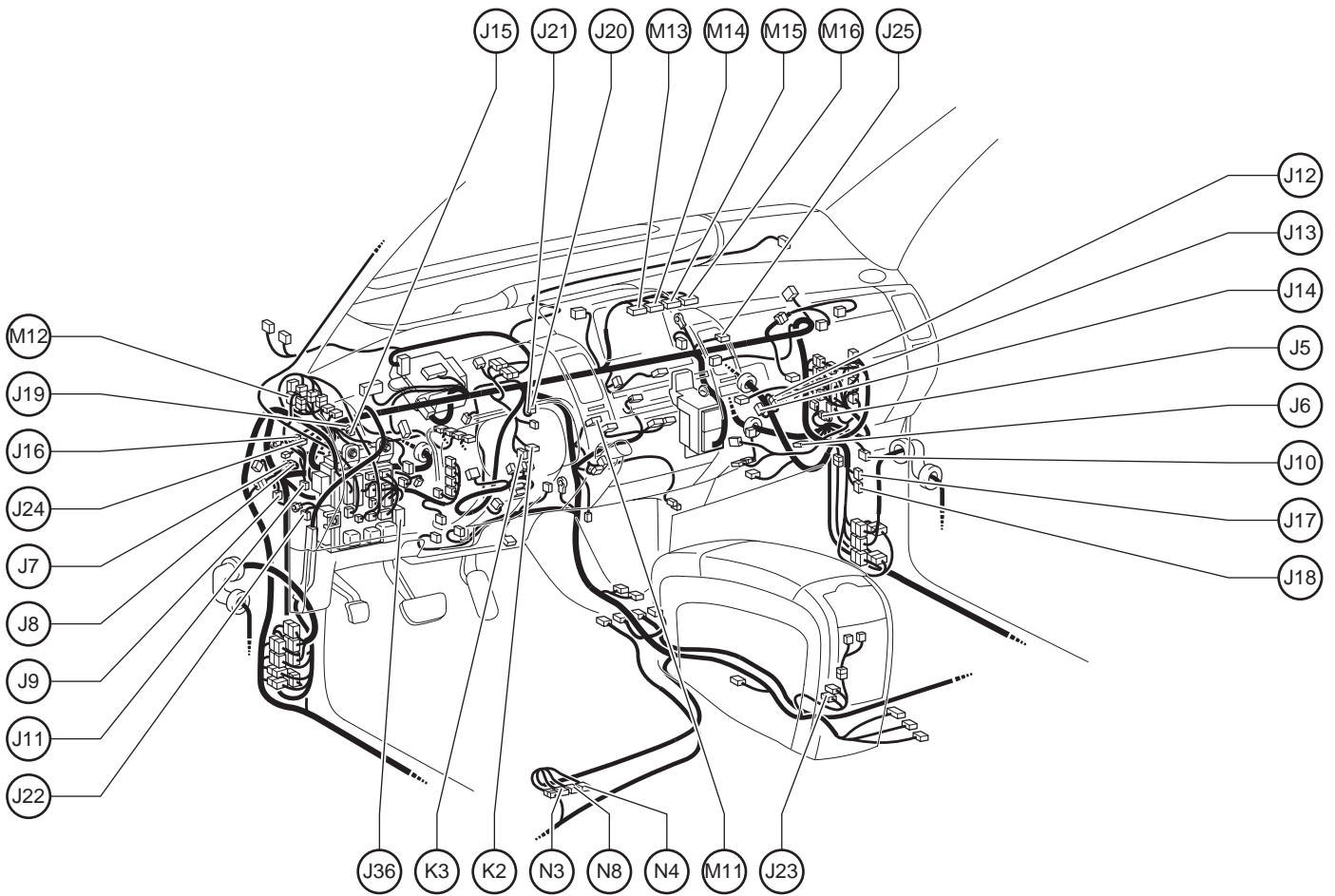
G 1 Gateway ECU  
 G 2 Glove Box Light

H11 Hazard SW  
 ODO/TRIP SW

H12 Headlight Beam Level Control ECU  
 H13 Heated Oxygen Sensor (Bank 1 Sensor 2)  
 H14 Hybrid Vehicle Control ECU  
 H15 Hybrid Vehicle Control ECU  
 H16 Hybrid Vehicle Control ECU  
 H17 Hybrid Vehicle Control ECU

# G ELECTRICAL WIRING ROUTING

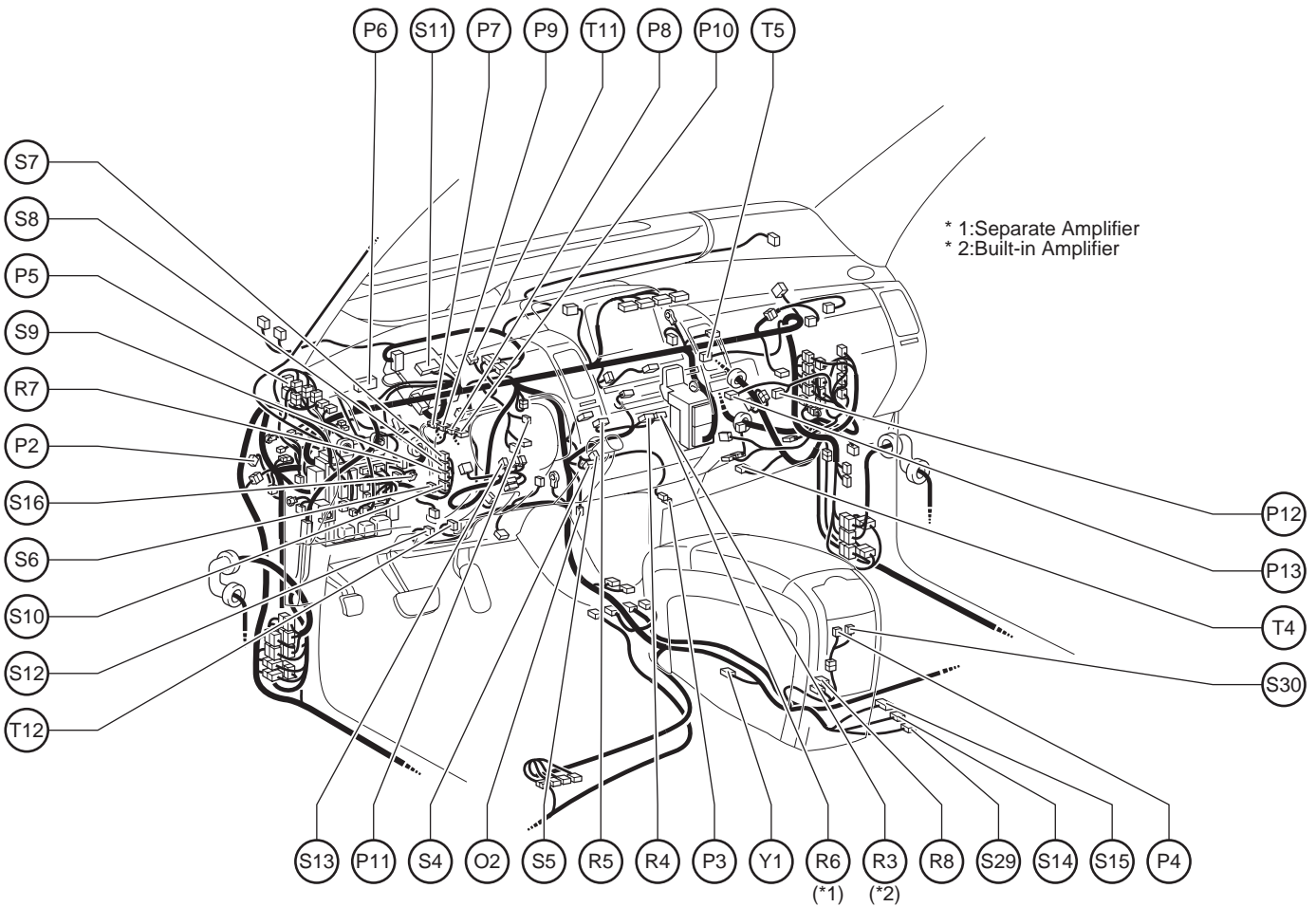
## Position of Parts in Instrument Panel



- |      |                    |      |                     |
|------|--------------------|------|---------------------|
| J 5  | Junction Connector | K 2  | Key Slot            |
| J 6  | Junction Connector | K 3  | Key Slot            |
| J 7  | Junction Connector | M 11 | Main SW             |
| J 8  | Junction Connector | M 12 | Mirror Heater Relay |
| J 9  | Junction Connector | M 13 | Multi-Display       |
| J 10 | Junction Connector | M 14 | Multi-Display       |
| J 11 | Junction Connector | M 15 | Multi-Display       |
| J 12 | Junction Connector | M 16 | Multi-Display       |
| J 13 | Junction Connector | N 3  | Navigation ECU      |
| J 14 | Junction Connector | N 4  | Navigation ECU      |
| J 15 | Junction Connector | N 8  | Navigation ECU      |
| J 16 | Junction Connector |      |                     |
| J 17 | Junction Connector |      |                     |
| J 18 | Junction Connector |      |                     |
| J 19 | Junction Connector |      |                     |
| J 20 | Junction Connector |      |                     |
| J 21 | Junction Connector |      |                     |
| J 22 | Junction Connector |      |                     |
| J 23 | Junction Connector |      |                     |
| J 24 | Junction Connector |      |                     |
| J 25 | Junction Connector |      |                     |
| J 36 | Junction Connector |      |                     |



**Position of Parts in Instrument Panel**

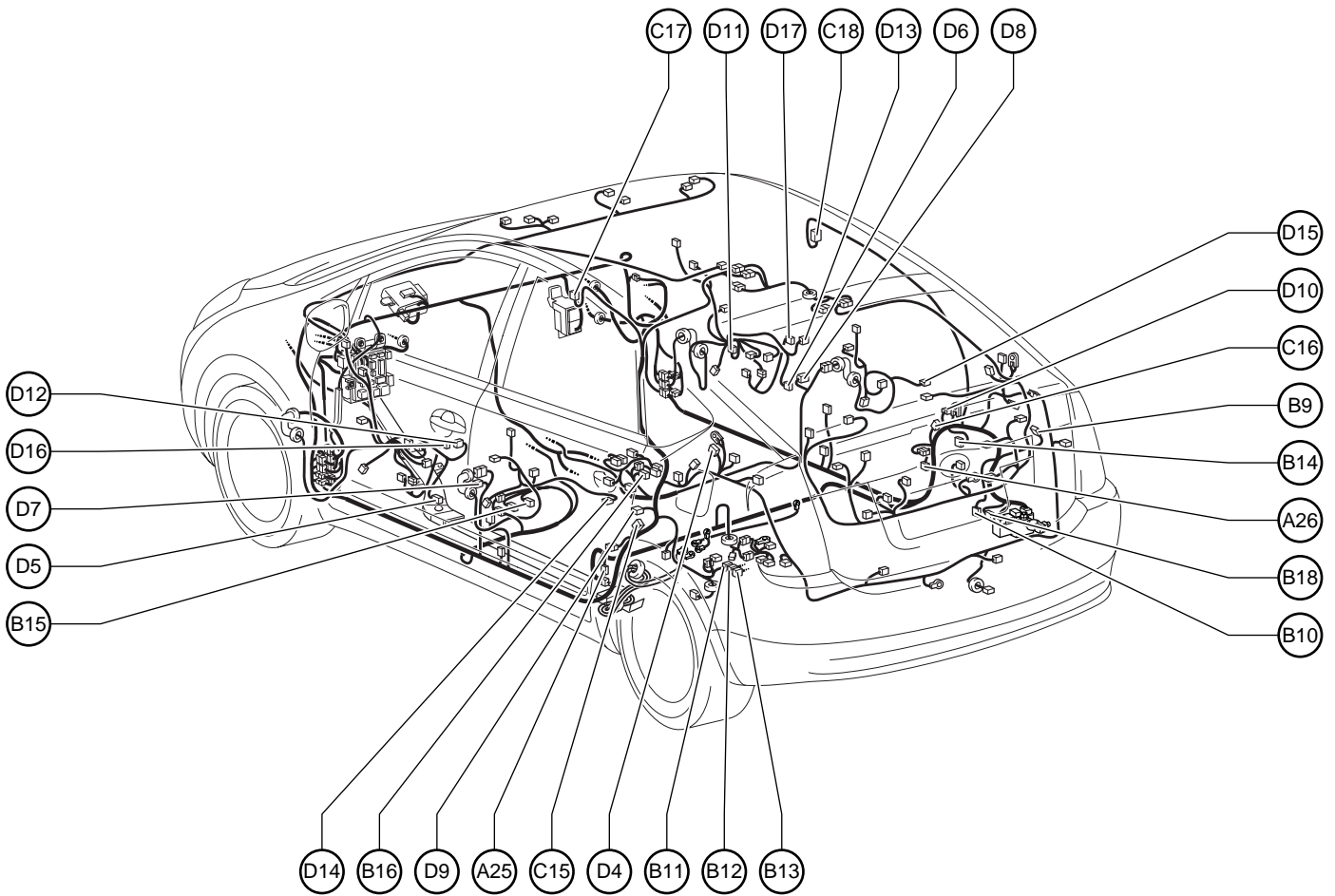


- O 2 Option Connector (Glass Breakage Sensor)
- P 2 Parking Brake SW
- P 3 Power Outlet No.1
- P 4 Power Outlet No.2
- P 5 Power Outlet Relay
- P 6 Power Source Control ECU
- P 7 Power Steering ECU
- P 8 Power Steering ECU
- P 9 Power Steering ECU  
Power Steering Motor
- P10 Power Steering ECU  
Power Steering Torque Sensor
- P11 Power SW
- P12 PTC Heater
- P13 PTC Heater
- R 3 Radio and Player
- R 4 Radio and Player
- R 5 Radio and Player
- R 6 Radio and Player
- R 7 Rheostat
- R 8 Room Oscillator

- S 4 Shift Lever Position Sensor
- S 5 Shift Lever Position Sensor
- S 6 Skid Control Buzzer
- S 7 Skid Control ECU
- S 8 Skid Control ECU
- S 9 Skid Control ECU
- S10 Skid Control ECU
- S11 Certification ECU
- S12 Smart Key System Cancel SW
- S13 Steering Sensor
- S14 Stereo Component Amplifier
- S15 Stereo Component Amplifier
- S16 Stop Light SW
- S29 Stereo Component Amplifier
- S30 Stereo Jack Adapter
- T 4 Transmission Control ECU
- T 5 ID Code Box
- T11 Tire Pressure Warning ECU
- T12 Tire Pressure Warning Reset SW
- Y 1 Yaw Rate Sensor

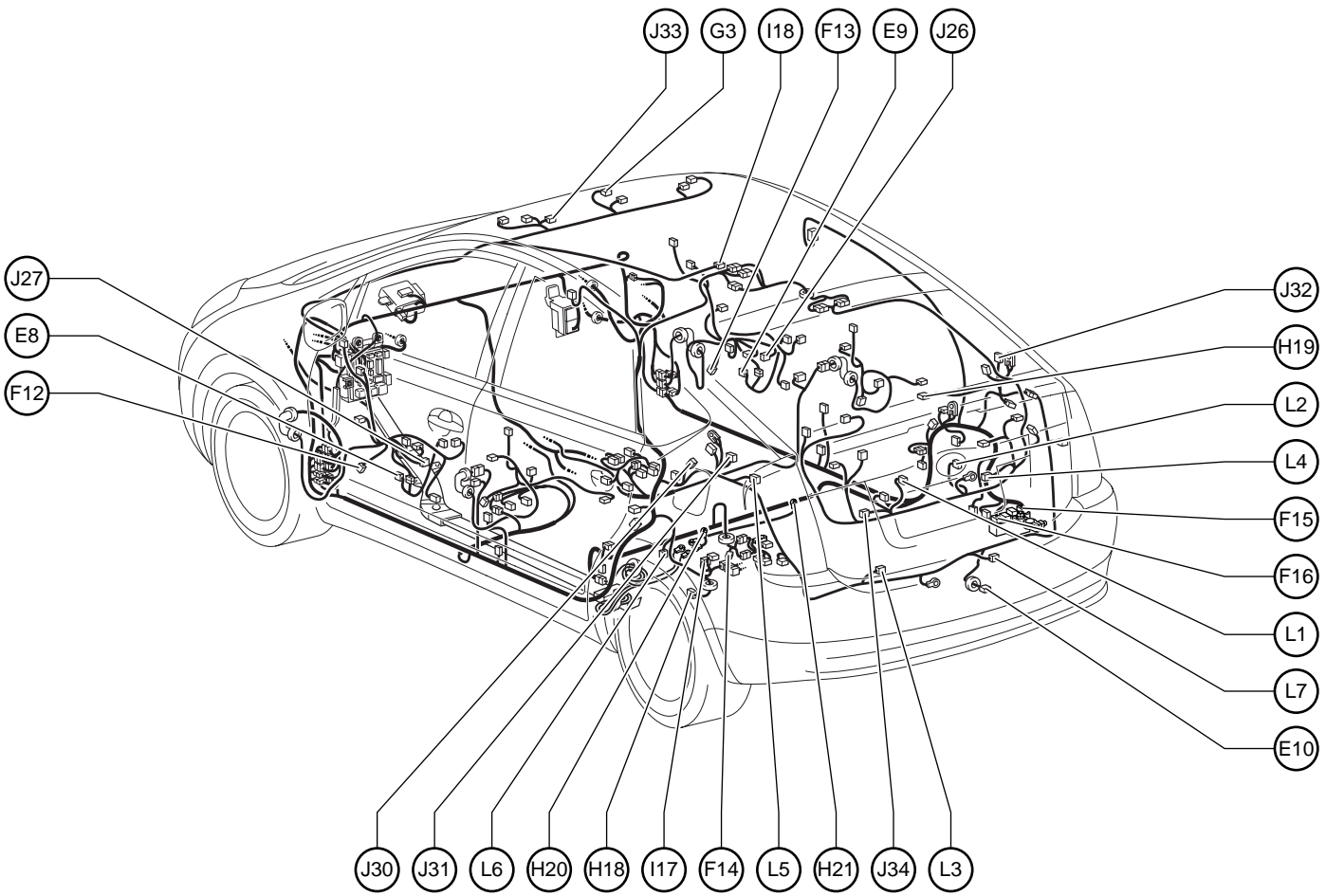
# G ELECTRICAL WIRING ROUTING

## Position of Parts in Body



- |     |                                 |     |                                      |
|-----|---------------------------------|-----|--------------------------------------|
| A25 | ABS Speed Sensor Rear LH        | D 4 | Door Control Receiver                |
| A26 | ABS Speed Sensor Rear RH        | D 5 | Door Courtesy Light Front LH         |
| B 9 | Battery Blower Motor            | D 6 | Door Courtesy Light Front RH         |
| B10 | Battery Blower Motor Controller | D 7 | Door Courtesy SW Front LH            |
| B11 | Battery ECU                     | D 8 | Door Courtesy SW Front RH            |
| B12 | Battery ECU                     | D 9 | Door Courtesy SW Rear LH             |
|     | Hybrid Vehicle Battery          | D10 | Door Courtesy SW Rear RH             |
| B13 | Battery ECU                     | D11 | Door Lock Control SW Front RH        |
|     | Hybrid Vehicle Battery          | D12 | Door Lock Motor Front LH             |
| B14 | Battery Fan Relay               | D13 | Door Lock Motor Front RH             |
| B15 | Buckle SW Front LH              |     | Door Unlock Detection SW Front LH    |
| B16 | Buckle SW Front RH              |     | Door Unlock Detection SW Front RH    |
| B18 | Brake Control Power Supply      | D14 | Door Lock Motor Rear LH              |
|     |                                 |     | Door Unlock Detection SW Rear LH     |
| C15 | Curtain Shield Airbag Sensor LH | D15 | Door Lock Motor Rear RH              |
| C16 | Curtain Shield Airbag Sensor RH |     | Door Unlock Detection SW Rear RH     |
| C17 | Curtain Shield Airbag Squib LH  | D16 | Door Oscillator Front LH (w/ Sensor) |
| C18 | Curtain Shield Airbag Squib RH  | D17 | Door Oscillator Front RH (w/ Sensor) |

**Position of Parts in Body**

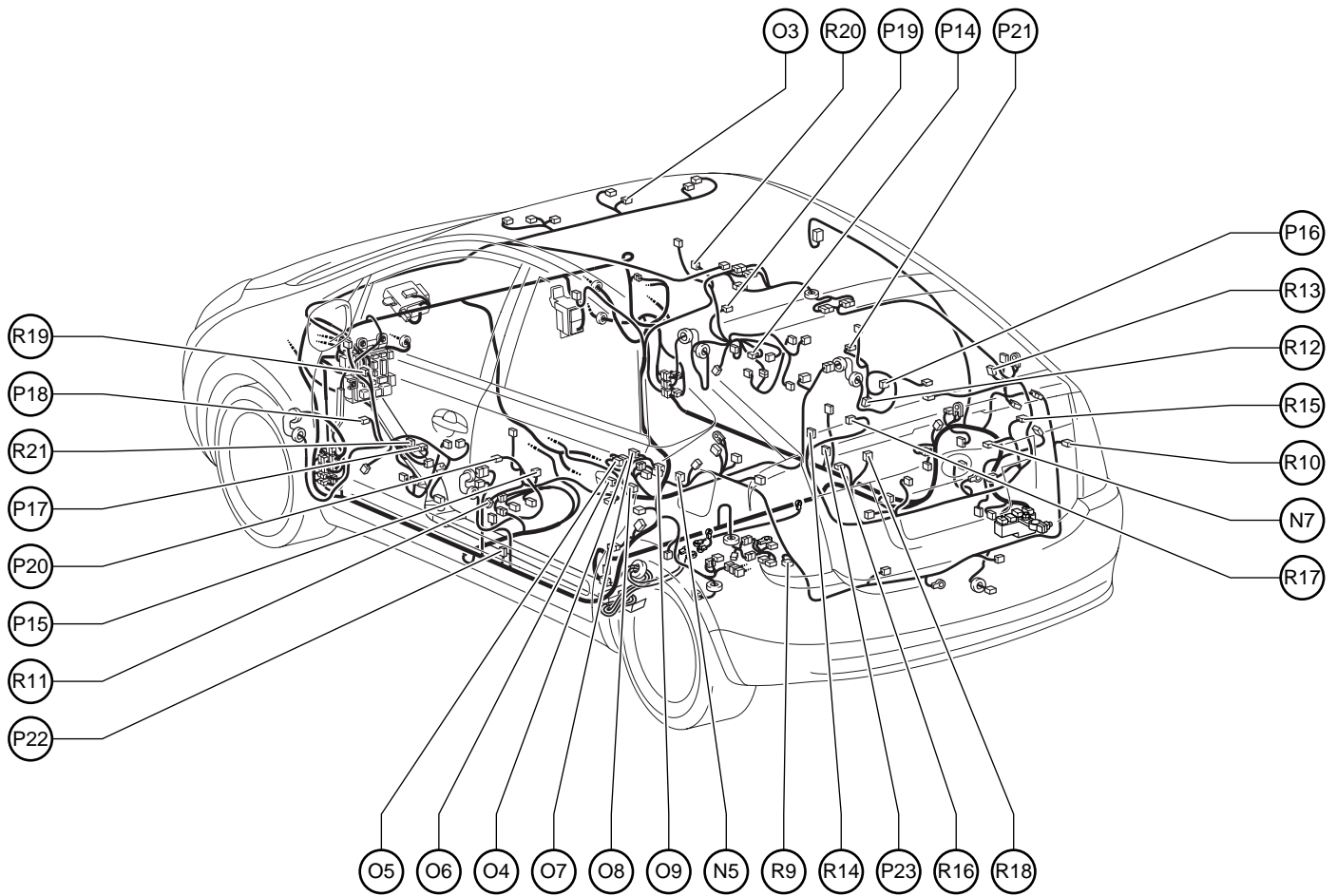


- |     |   |     |                                       |
|-----|---|-----|---------------------------------------|
| E 8 | Electrical Key Antenna (Driver's Side)            | J26 | Junction Connector                    |
| E 9 | Electrical Key Antenna (Front Passenger's Side)   | J27 | Junction Connector                    |
| E10 | Electrical Key Antenna (Luggage Compartment Door) | J30 | Junction Connector                    |
| F12 | Front Door Speaker LH                             | J31 | Junction Connector                    |
| F13 | Front Door Speaker RH                             | J32 | Junction Connector                    |
| F14 | Fuel Pump   | J33 | Junction Connector                    |
|     | Fuel Sender                                       | J34 | Junction Connector                    |
| F15 | Fusible Link Block                                | L 1 | License Plate Light LH                |
| F16 | Fusible Link Block                                | L 2 | License Plate Light RH                |
| G 3 | Garage Door Opener                                | L 3 | Luggage Compartment Courtesy SW       |
|     | Inner Mirror                                      |     | Luggage Compartment Door Opener Motor |
| H18 | Height Control Sensor                             | L 4 | Luggage Compartment Door Opener SW    |
| H19 | High Mounted Stop Light                           |     | Luggage Compartment Door Lock SW      |
| H20 | Hybrid Vehicle Battery                            | L 5 | Luggage Compartment Light             |
| H21 | Hybrid Vehicle Battery                            | L 6 | Luggage Oscillator (Inner)            |
| I17 | Inter Lock SW                                     | L 7 | Luggage Oscillator (Outer)            |
| I18 | Interior Light                                    |     |                                       |



# G ELECTRICAL WIRING ROUTING

## Position of Parts in Body



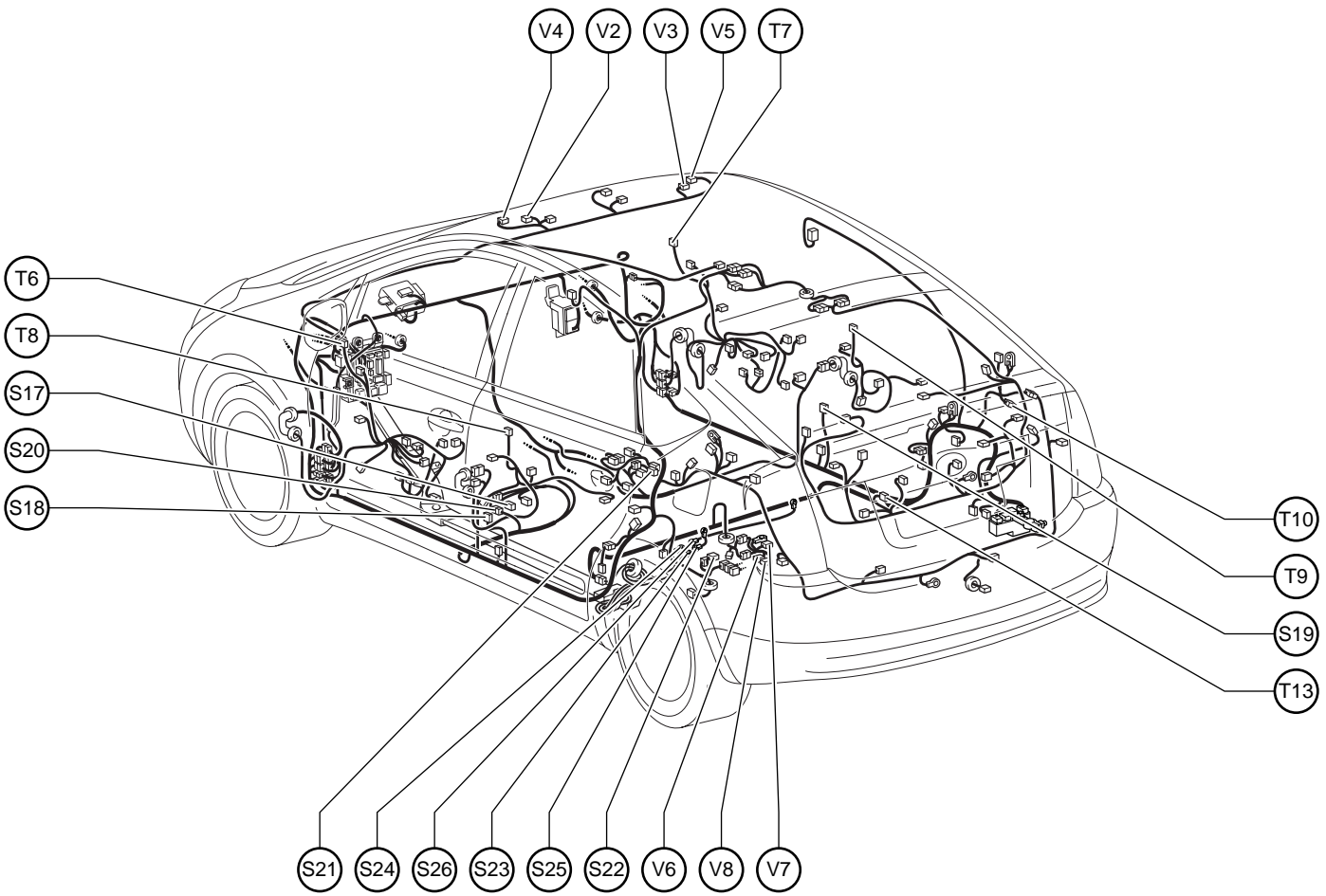
N 5 Noise Filter (High Mounted Stop Light)  
 N 7 Noise Filter (Rear Window Defogger)

O 3 Overhead J/B  
 O 4 Occupant Classification ECU  
 O 5 Occupant Classification ECU  
 O 6 Occupant Classification Sensor Front LH  
 O 7 Occupant Classification Sensor Front RH  
 O 8 Occupant Classification Sensor Rear LH  
 O 9 Occupant Classification Sensor Rear RH

P14 Power Window Control SW Front RH  
 P15 Power Window Control SW Rear LH  
 P16 Power Window Control SW Rear RH  
 P17 Power Window Master SW  
 P18 Power Window Motor Front LH  
 P19 Power Window Motor Front RH  
 P20 Power Window Motor Rear LH  
 P21 Power Window Motor Rear RH  
 P22 Pretensioner LH  
 P23 Pretensioner RH

R 9 Rear Combination Light LH  
 R10 Rear Combination Light RH  
 R11 Rear Door Speaker LH  
 R12 Rear Door Speaker RH  
 R13 Rear Window Defogger  
 R14 Rear Window Defogger  
 R15 Rear Window Defogger  
 R16 Rear Window Defogger  
 R17 Rear Wiper Motor  
 R18 Rear Wiper Relay  
 R19 Remote Control Mirror LH  
 Mirror Heater LH  
 R20 Remote Control Mirror RH  
 Mirror Heater RH  
 R21 Remote Control Mirror SW

**Position of Parts in Body**




- S17 Seat Position Airbag Sensor
- S18 Side Airbag Sensor LH
- S19 Side Airbag Sensor RH
- S20 Side Airbag Squib LH
- S21 Side Airbag Squib RH
- S22 System Main Relay
- S23 System Main Relay
- S24 System Main Relay
- S25 System Main Relay
- S26 System Main Relay

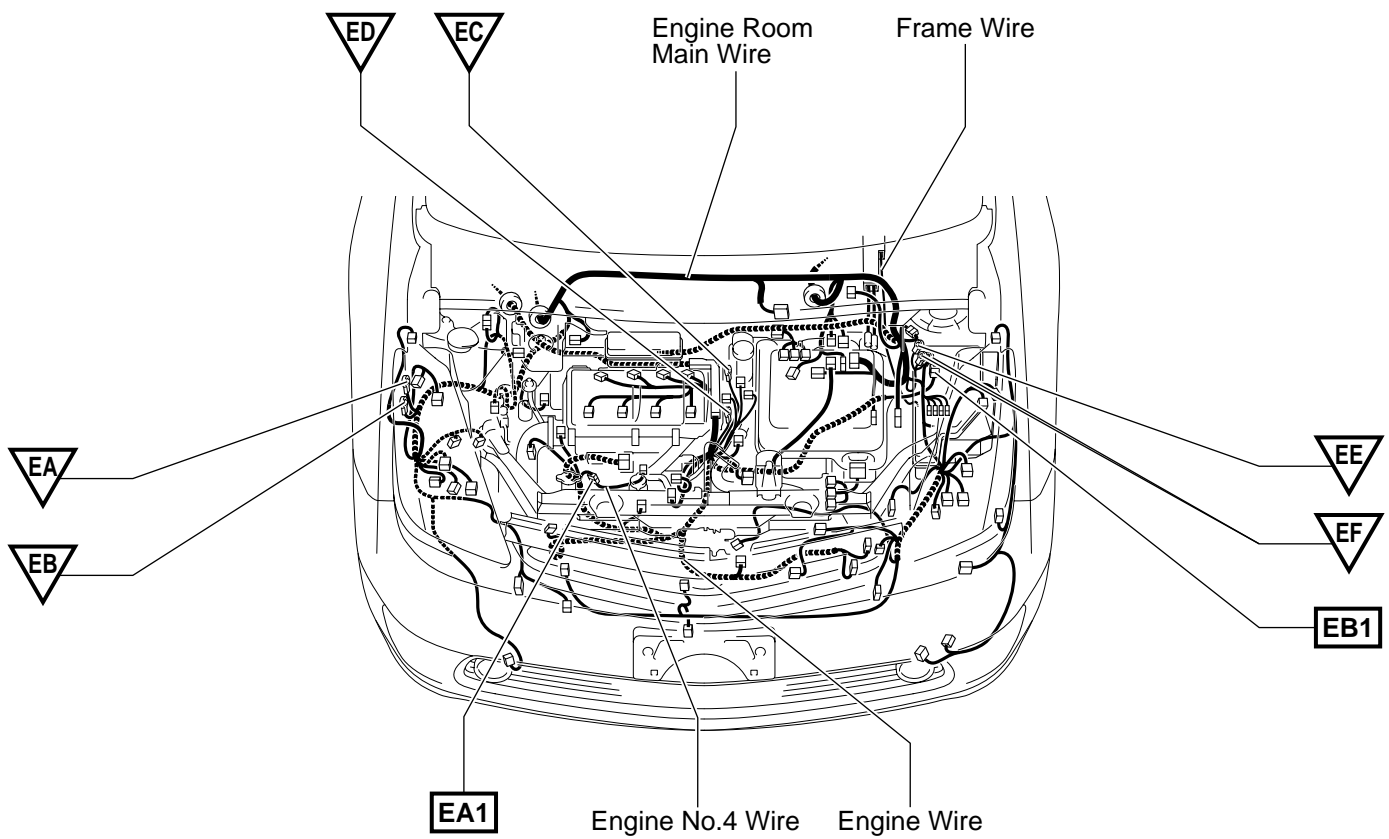
- T 6 Tweeter Front LH
- T 7 Tweeter Front RH
- T 8 Tweeter Rear LH
- T 9 Tweeter Rear RH
- T10 Tire Pressure Warning Antenna and Receiver
- T13 Television Camera

- V 2 Vanity Light LH
- V 3 Vanity Light RH
- V 4 Vanity Light SW LH
- V 5 Vanity Light SW RH
- V 6 Vapor Pressure Sensor
- V 7 Canister Pump Module
- V 8 VSV (Purge Flow Switching Valve)

## G ELECTRICAL WIRING ROUTING

 : Location of Connector Joining Wire Harness and Wire Harness

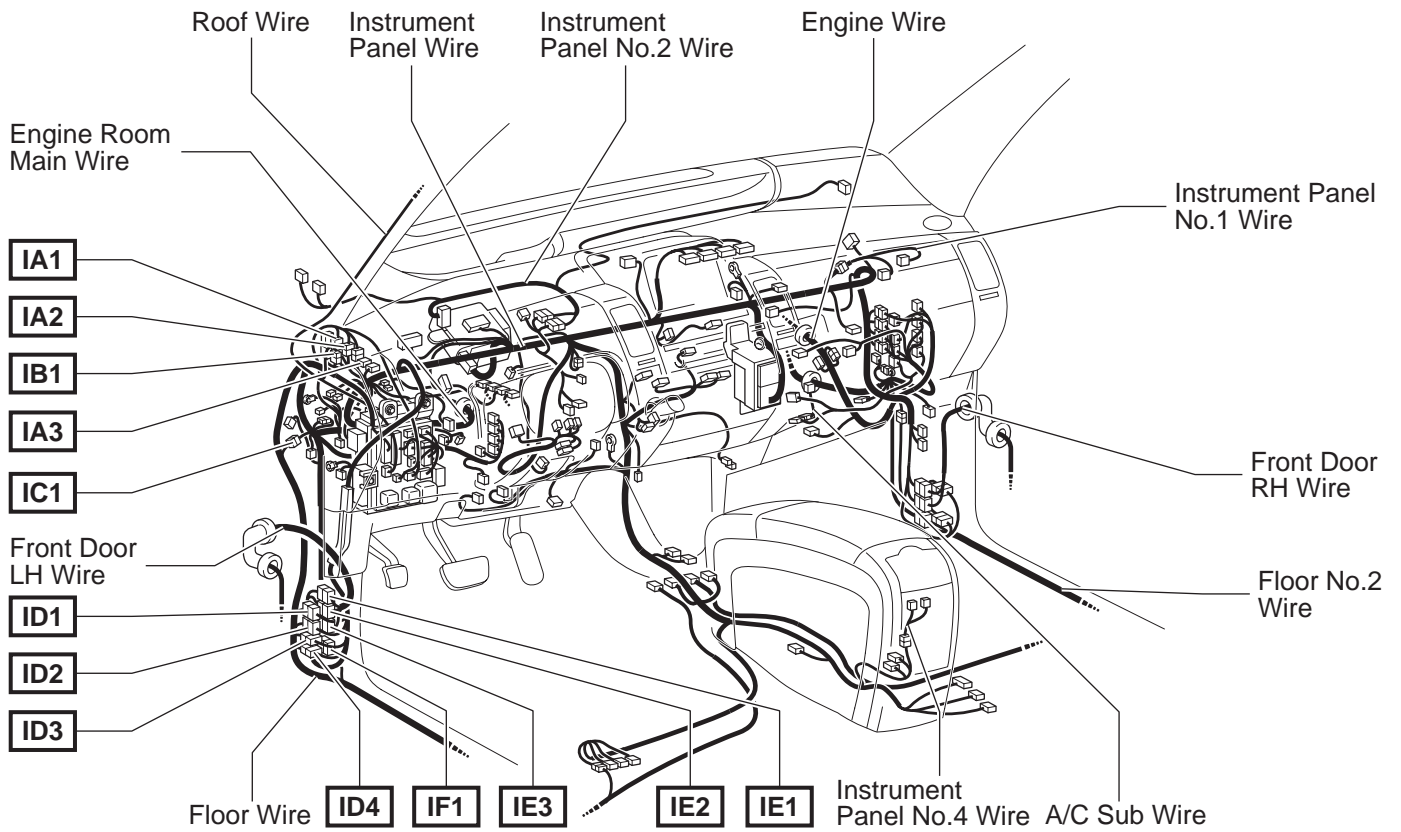
 : Location of Ground Points



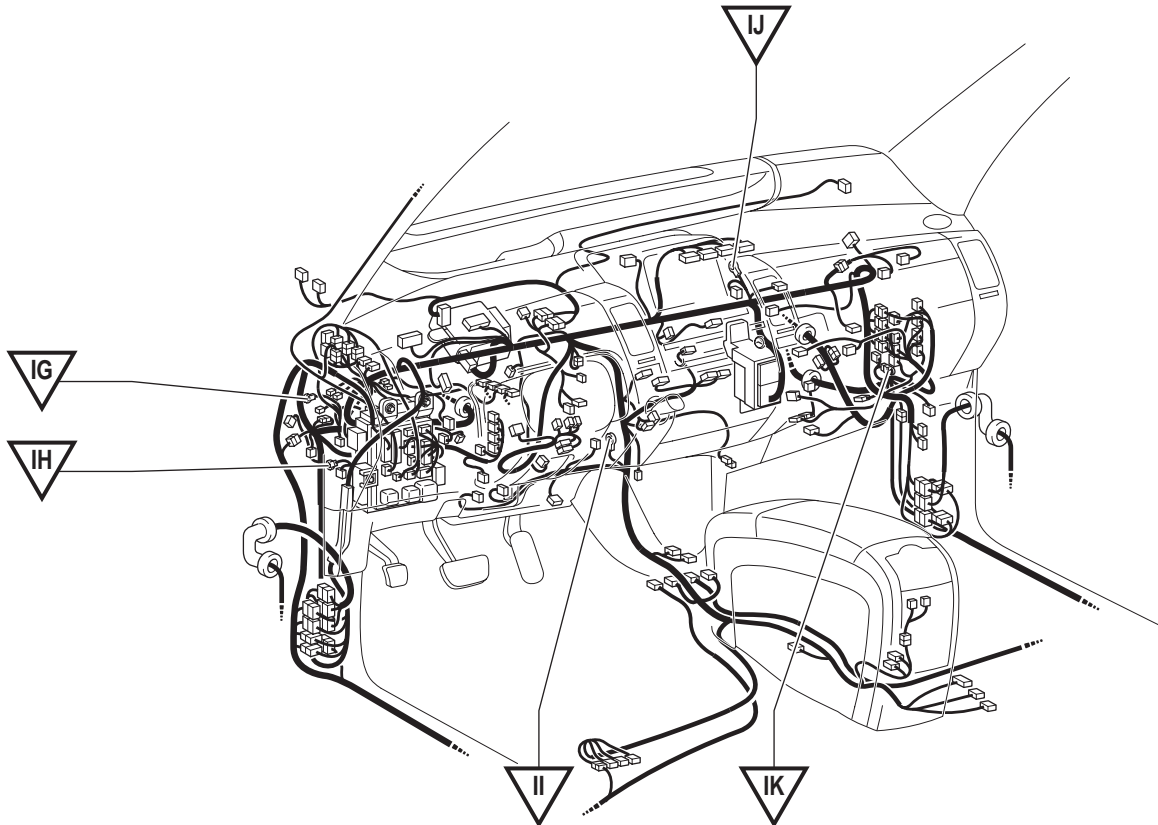


## G ELECTRICAL WIRING ROUTING

 : Location of Connector Joining Wire Harness and Wire Harness

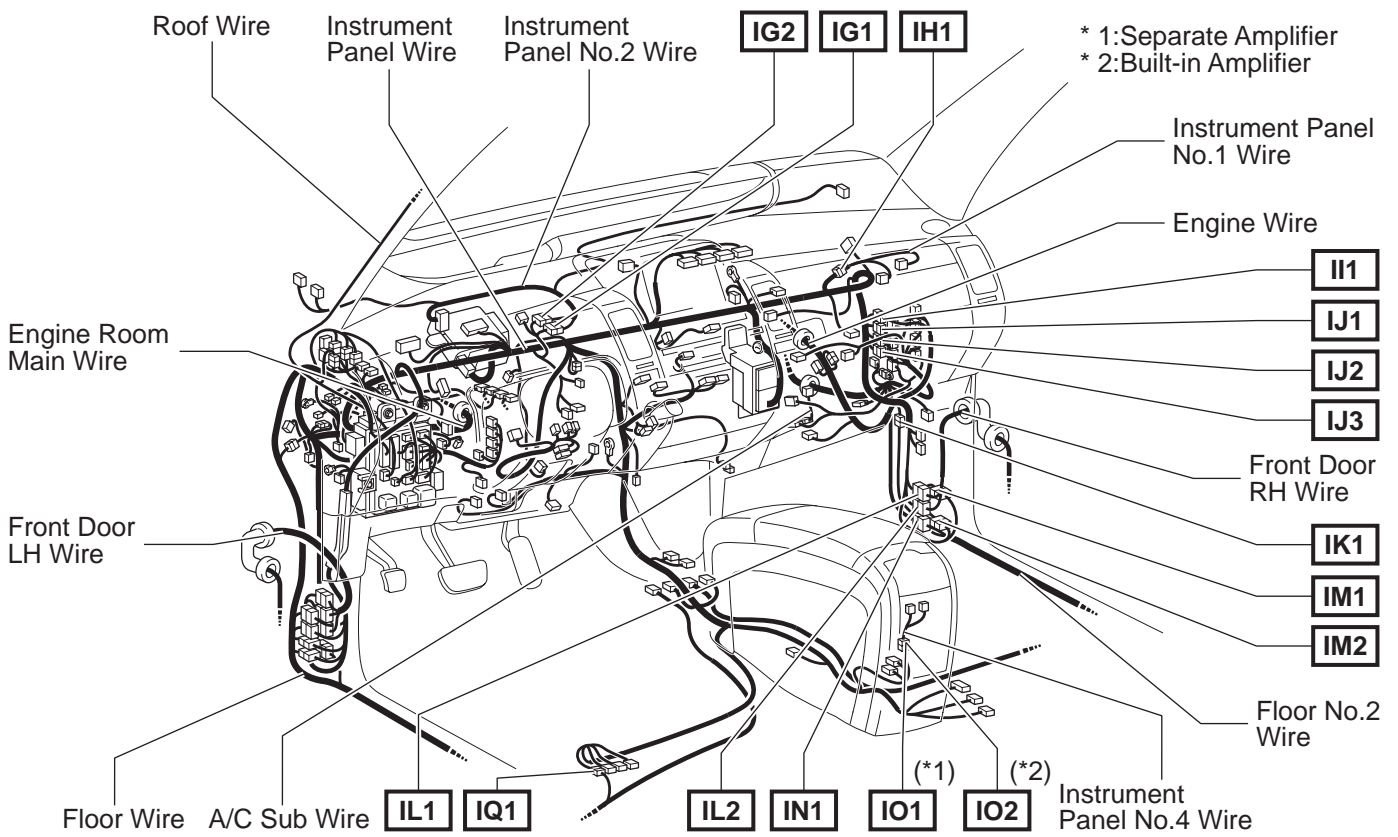


 : Location of Ground Points



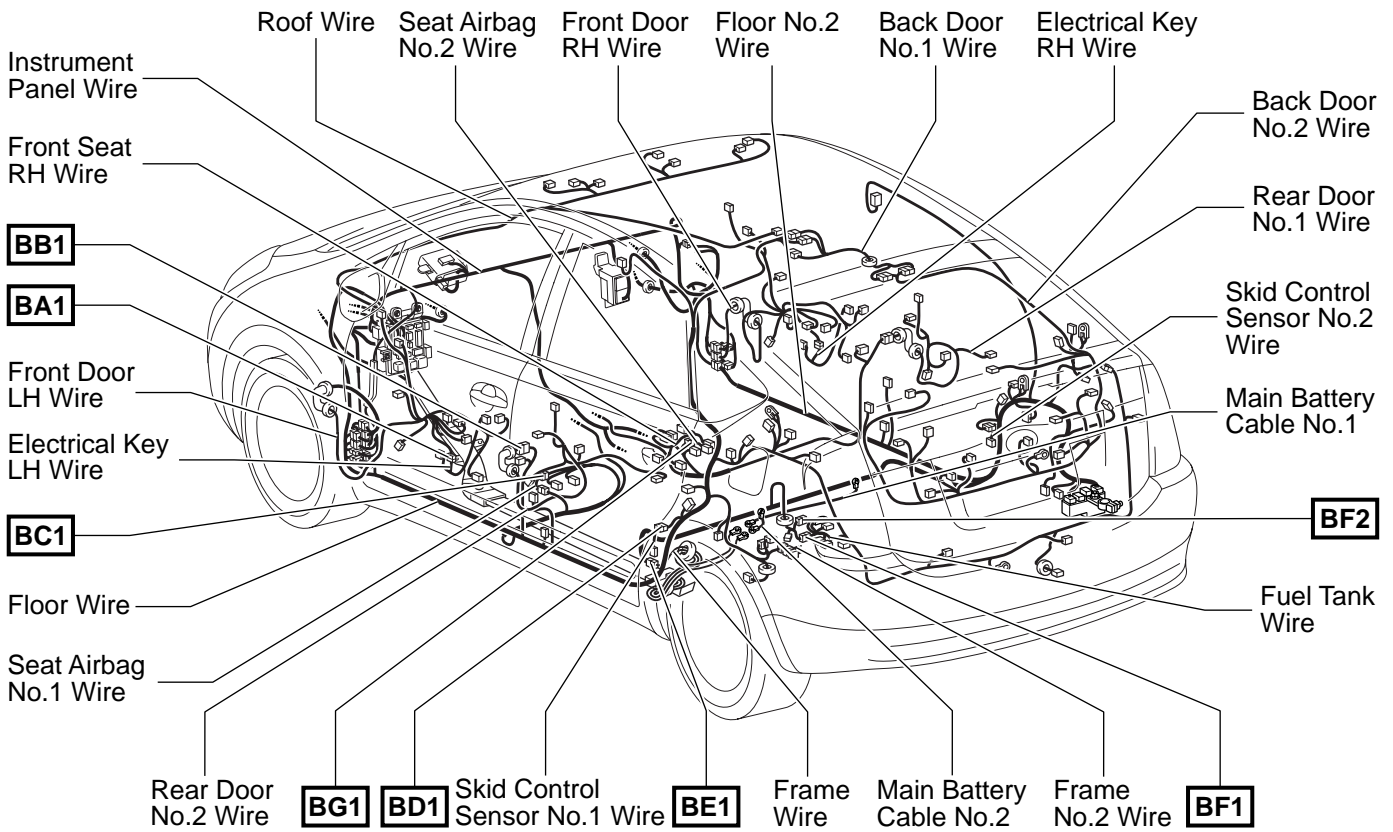


 : Location of Connector Joining Wire Harness and Wire Harness

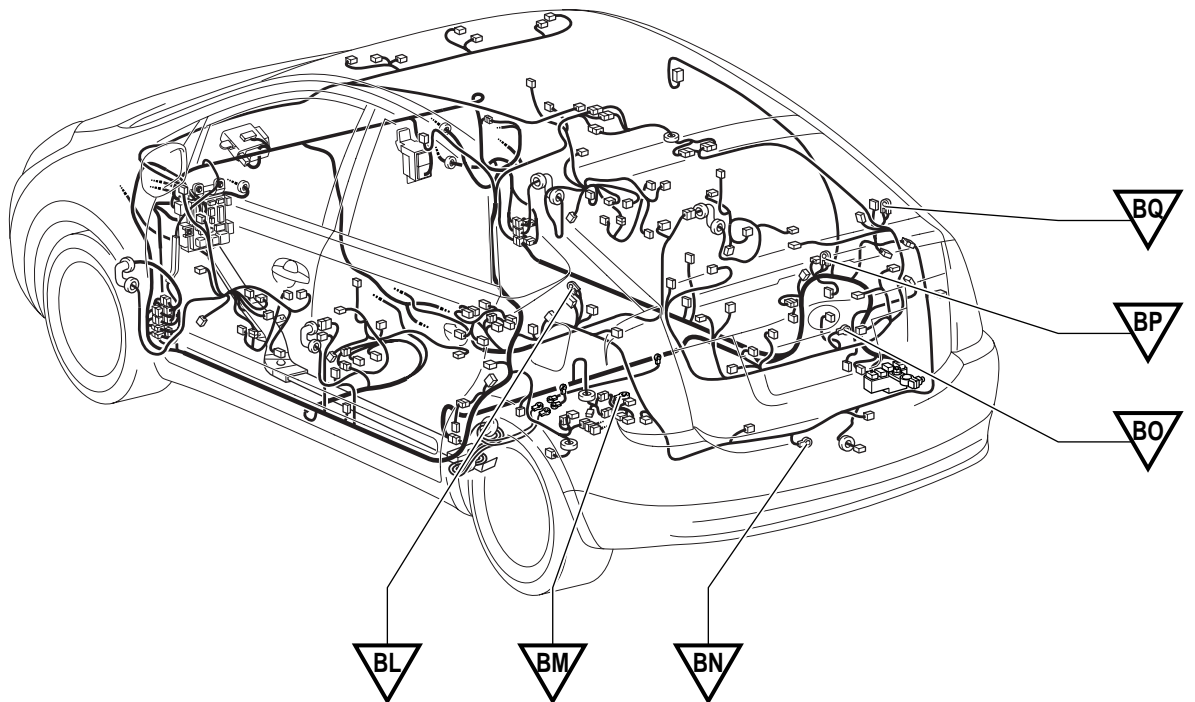


# G ELECTRICAL WIRING ROUTING

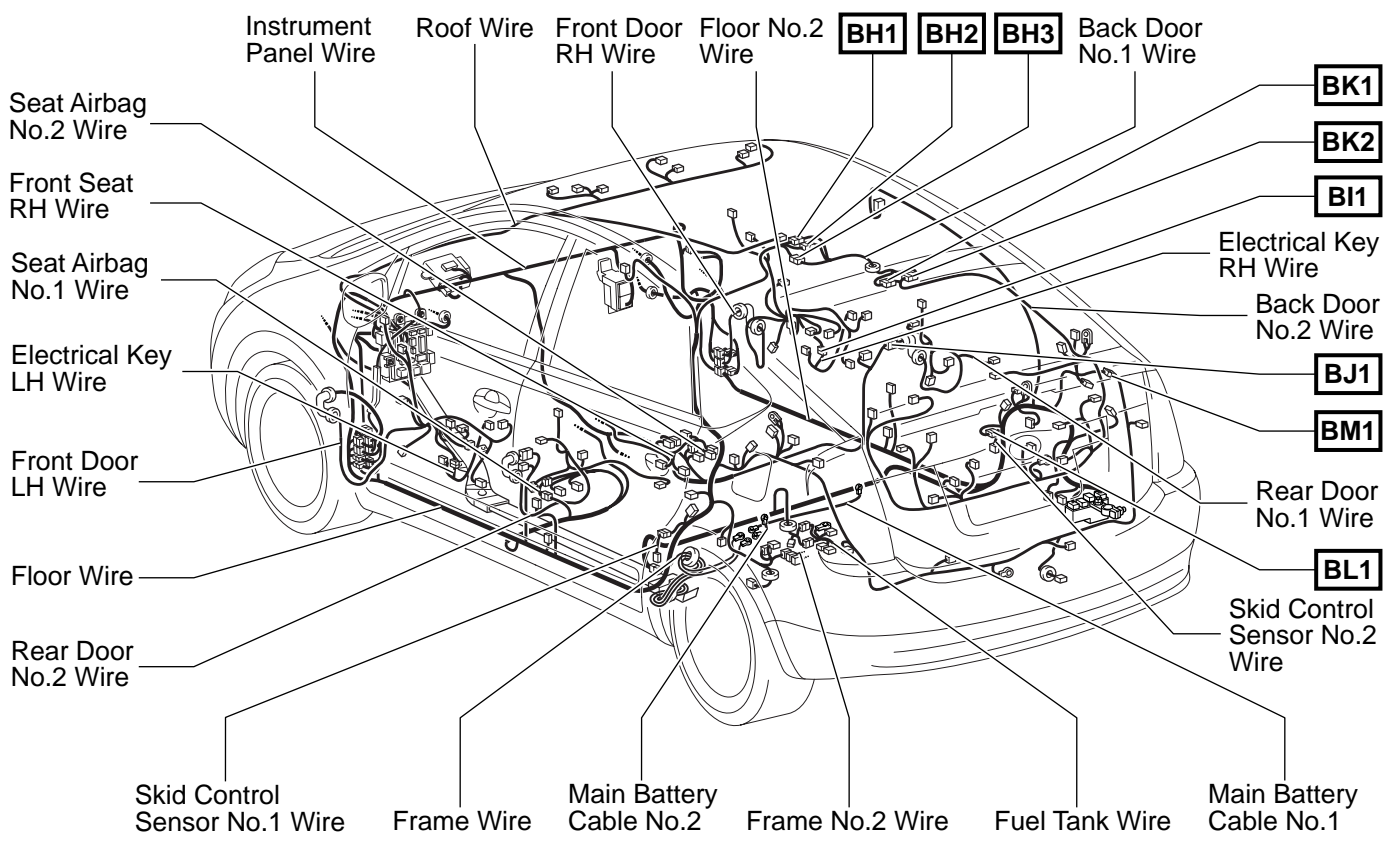
 : Location of Connector Joining Wire Harness and Wire Harness



 : Location of Ground Points



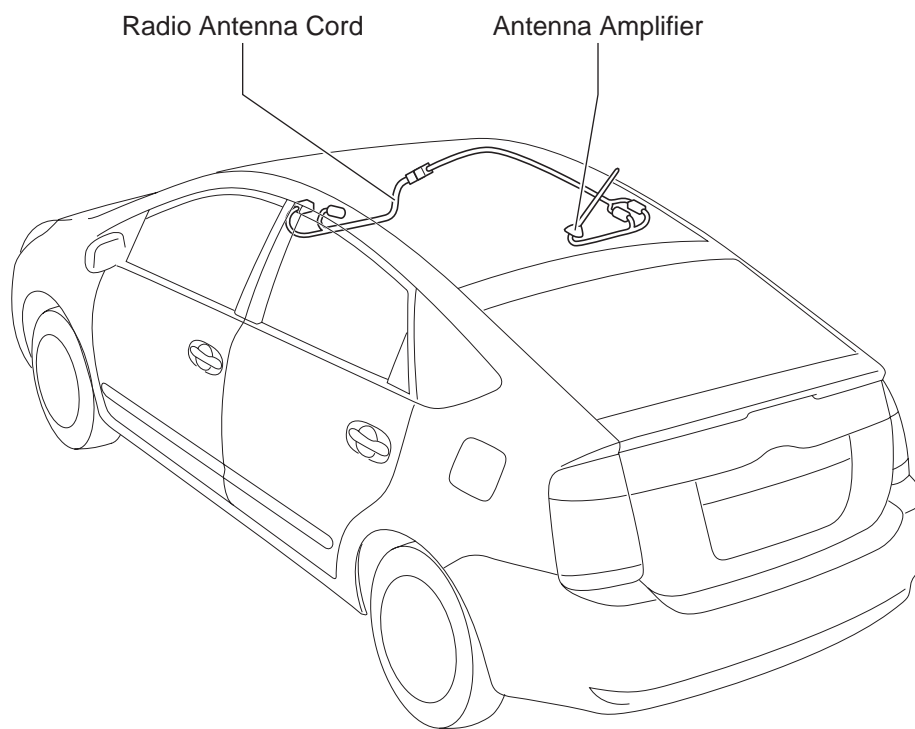
**□ : Location of Connector Joining Wire Harness and Wire Harness**



## G ELECTRICAL WIRING ROUTING

---

### [Antenna]







# 2008 PRIUS ELECTRICAL WIRING DIAGRAM SYSTEM CIRCUITS

	Page
ABS .....	280
Air Conditioning .....	350
Audio System (Built-in Amplifier) .....	332
Audio System (Separate Amplifier) .....	322
Automatic Glare-Resistant EC Mirror .....	318
Automatic Light Control .....	154
Back-Up Light .....	182
Clock .....	308
Combination Meter .....	340
Cruise Control .....	260
Door Lock Control .....	200
Engine Control .....	128
EPS .....	274
Front Fog Light .....	156
Front Wiper and Washer .....	192
Garage Door Opener .....	320
Headlight .....	142
Headlight Beam Level Control .....	150
Horn .....	306
Hybrid Vehicle Immobiliser System .....	82
Ignition .....	124
Illumination .....	174
Interior Light .....	166
Key Reminder .....	186
Light Auto Turn Off System .....	158
Luggage Compartment Door Opener .....	232
Mirror Heater .....	314
Multi-Display (Built-in Amplifier) .....	332
Multi-Display (Separate Amplifier) .....	322
Multiplex Communication System (AVC-LAN Bus) .....	78
Multiplex Communication System (BEAN Bus) .....	70
Multiplex Communication System (CAN Bus) .....	74
Power Outlet .....	310
Power Source .....	66
Power Window .....	196
Push Button Start System .....	82
Radiator Fan and Condenser Fan .....	346
Rear Window Defogger .....	314
Rear Wiper and Washer .....	194
Remote Control Mirror .....	312
Seat Belt Warning .....	190
Shift Control System .....	246