

for Driver Side:



POWER WINDOW REGULATOR MASTER SWITCH ASSEMBLY WITH FRONT DOOR ARMREST BASE PANEL

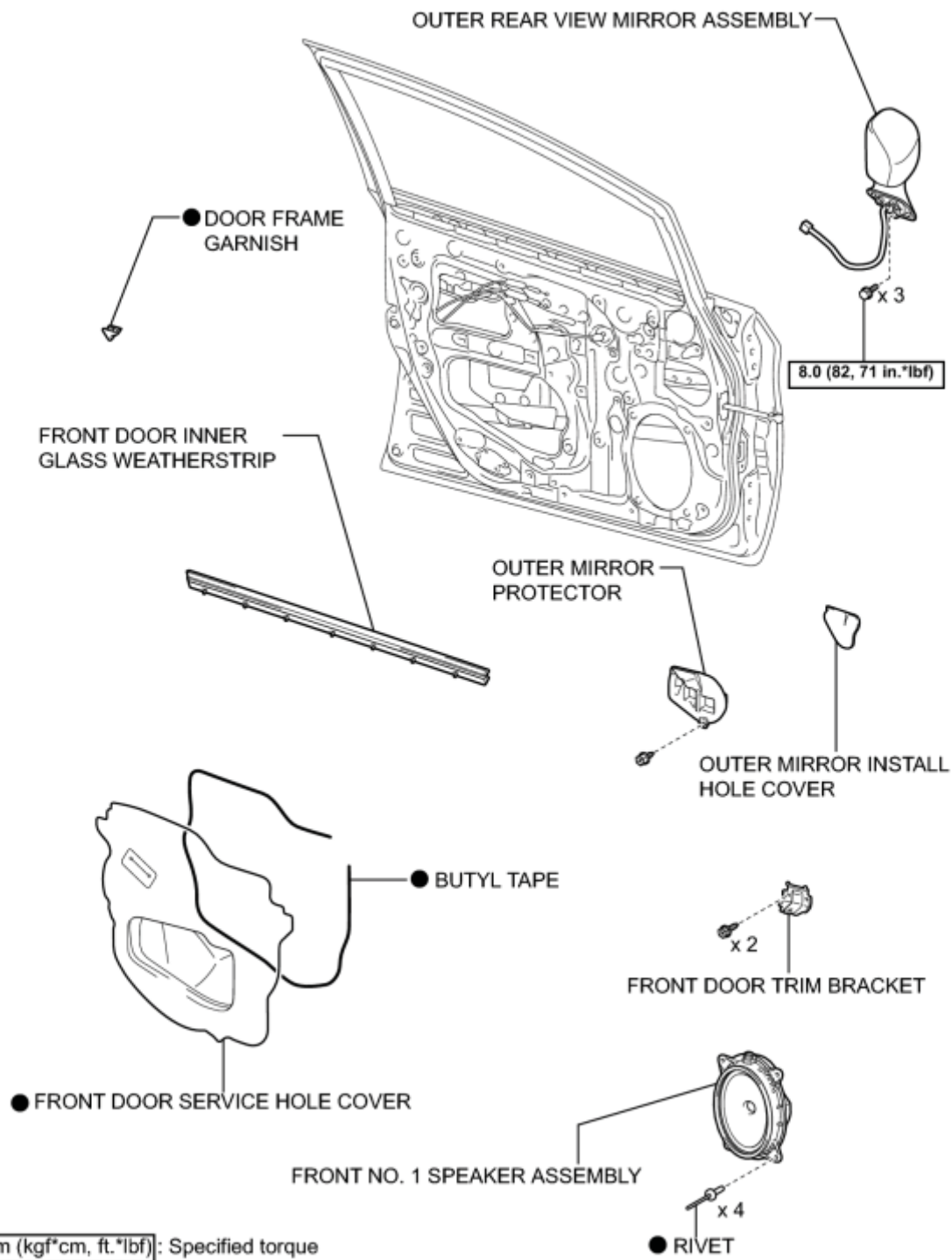
for Front Passenger Side:



POWER WINDOW REGULATOR SWITCH ASSEMBLY WITH FRONT DOOR ARMREST BASE PANEL

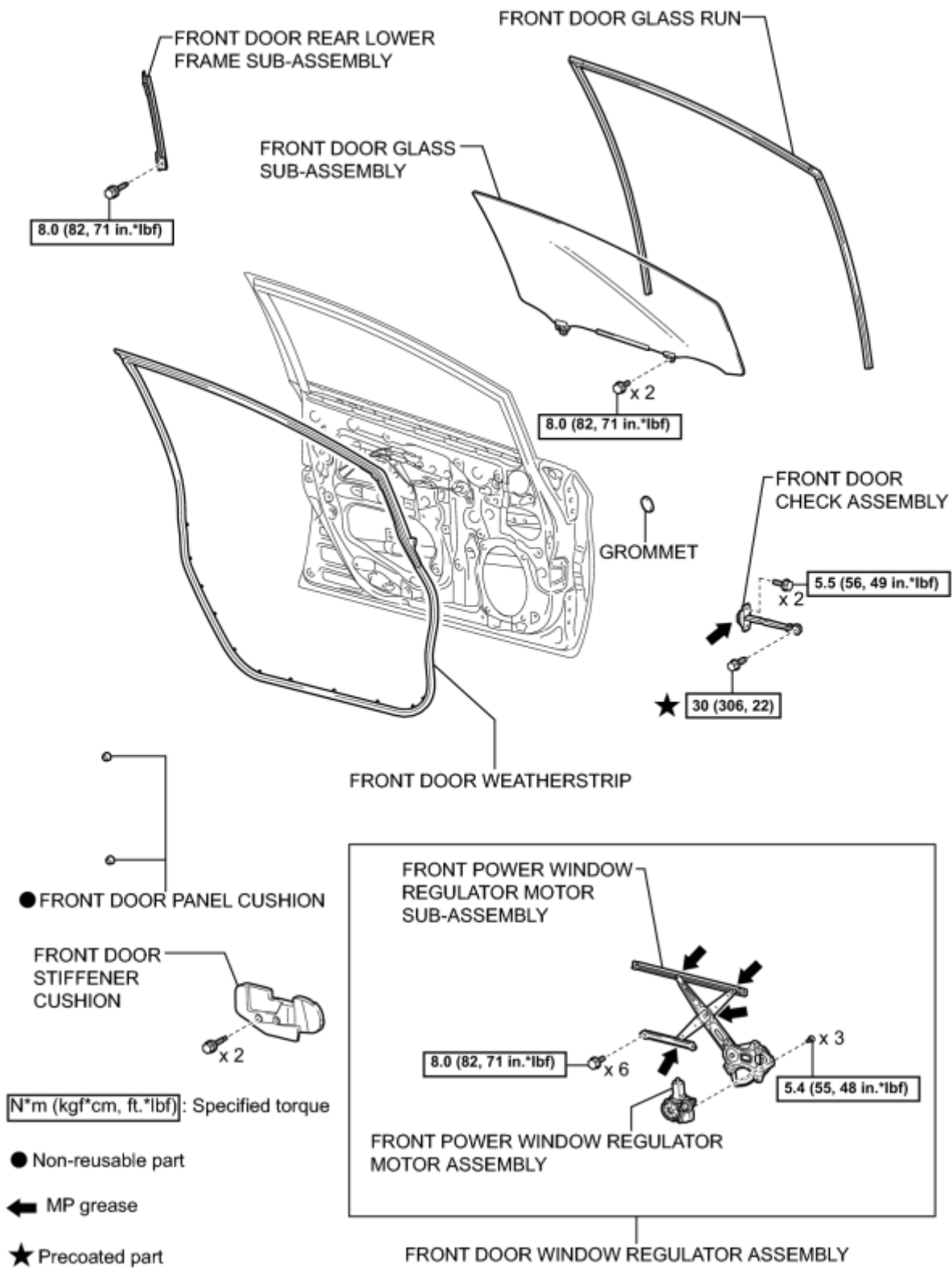
P

## ILLUSTRATION



P

## ILLUSTRATION

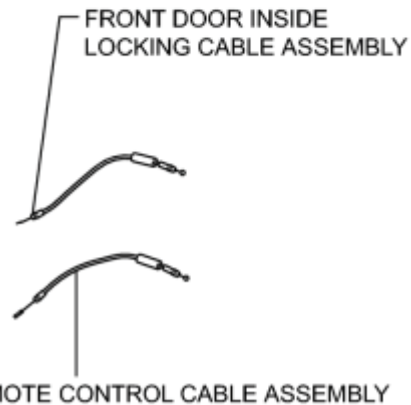
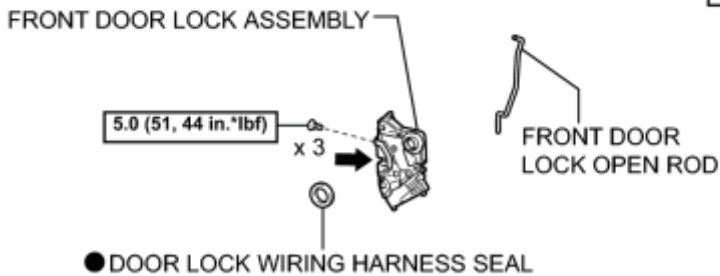
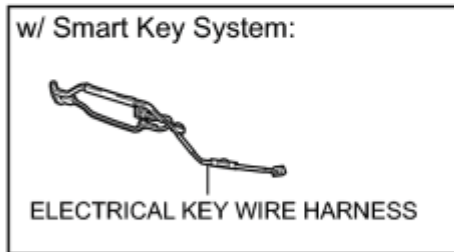
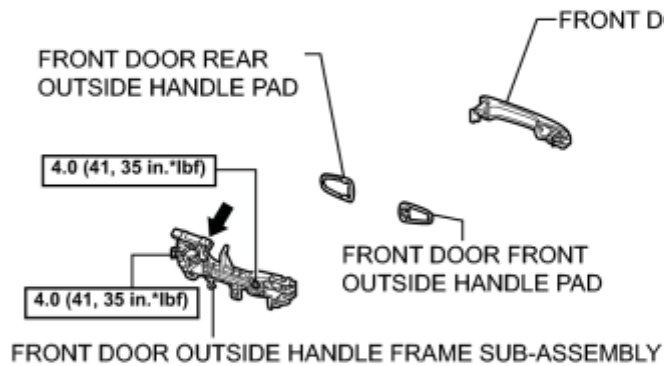
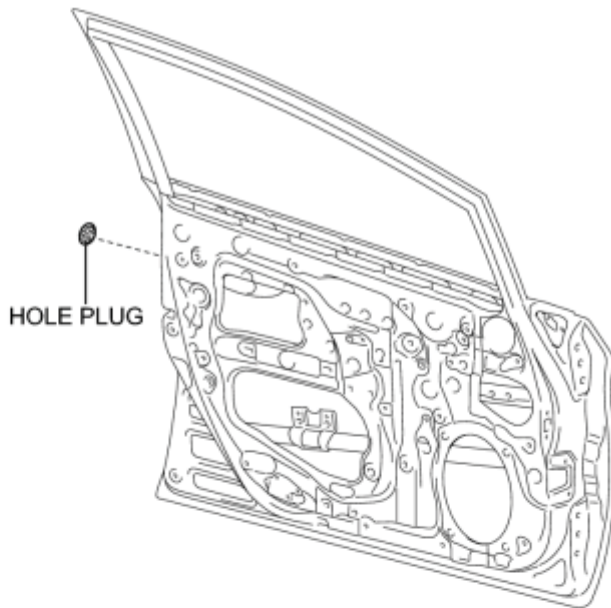
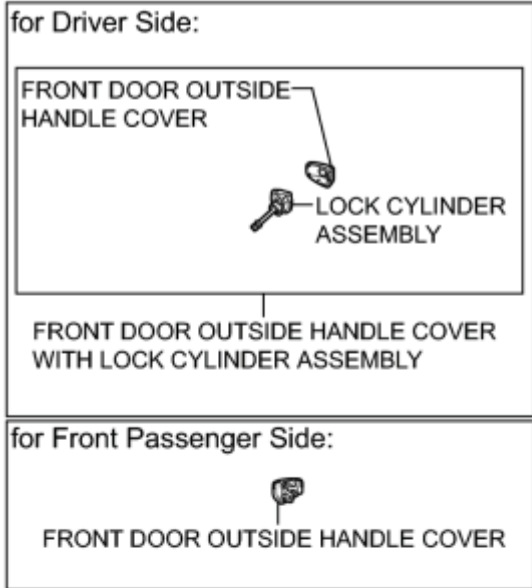


**N\*m (kgf\*cm, ft.\*lbf):** Specified torque

- Non-reusable part
- ← MP grease
- ★ Precoated part

P

# ILLUSTRATION



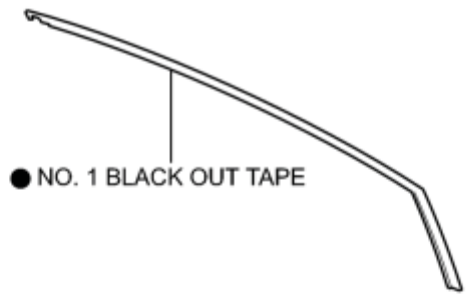
**N\*m (kgf\*cm, ft.\*lbf)**: Specified torque

● Non-reusable part

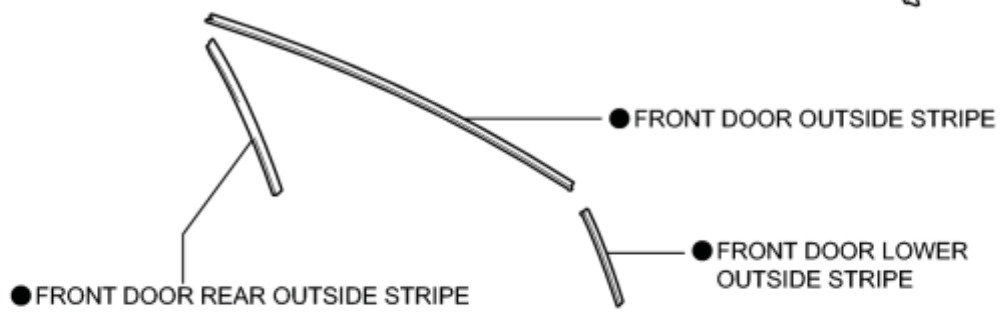
← MP grease

P

## ILLUSTRATION



● NO. 1 BLACK OUT TAPE



● FRONT DOOR REAR OUTSIDE STRIPE

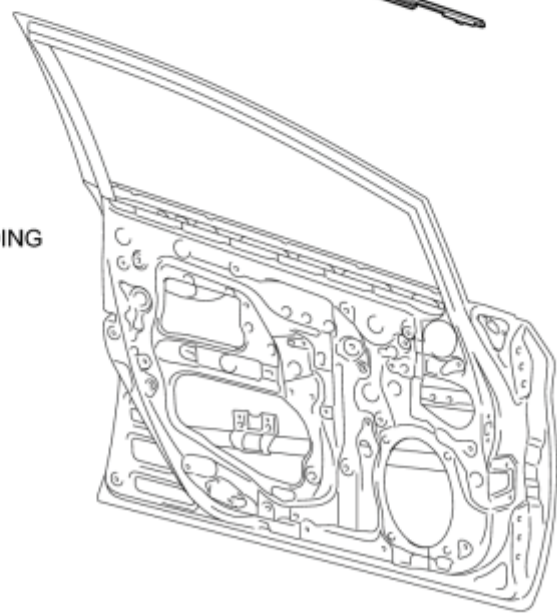
● FRONT DOOR OUTSIDE STRIPE

● FRONT DOOR LOWER OUTSIDE STRIPE

FRONT DOOR BELT MOULDING ASSEMBLY



FRONT DOOR REAR WINDOW FRAME MOULDING

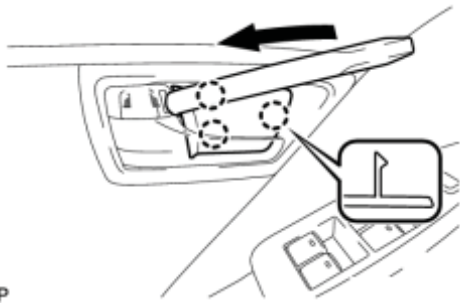


● Non-reusable part

P

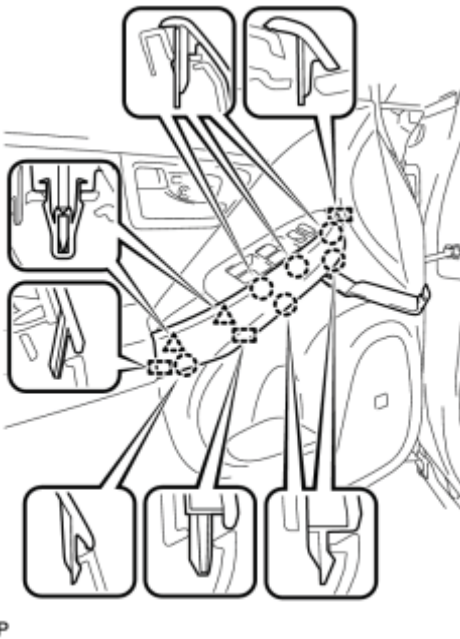
# DISASSEMBLY

1. REMOVE REAR NO. 2 FLOOR BOARD (for Separate Type) INFO
2. REMOVE REAR DECK FLOOR BOX INFO
3. REMOVE REAR NO. 3 FLOOR BOARD INFO
4. REMOVE FRONT DOOR INSIDE HANDLE BEZEL PLUG



(a) Using a moulding remover, disengage the 3 claws and remove the front door inside handle bezel plug.

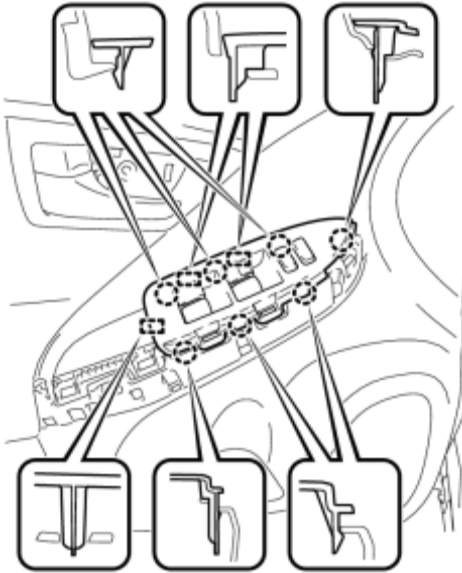
5. REMOVE ASSIST GRIP COVER



(a) Using a moulding remover, disengage the 6 claws, 2 clips and 3 guides, and remove the assist grip cover.

6. REMOVE POWER WINDOW REGULATOR MASTER SWITCH ASSEMBLY WITH FRONT DOOR ARMREST BASE PANEL (for Driver Side)

(a) Disengage the 7 claws and 3 guides.

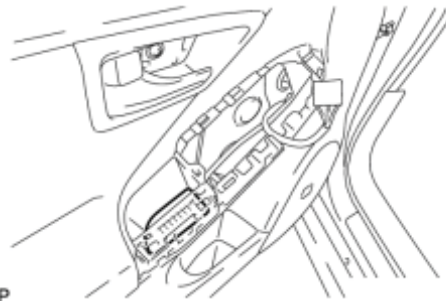


P

(b) Disconnect the connector and remove the power window regulator master switch assembly with front door armrest base panel.

7. REMOVE POWER WINDOW REGULATOR SWITCH ASSEMBLY WITH FRONT DOOR ARMREST BASE PANEL (for Front Passenger Side) INFO

8. REMOVE DOOR ARMREST COVER



P

(a) Remove the door armrest cover.

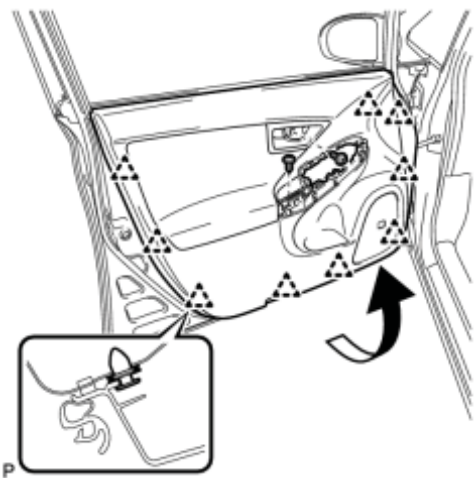
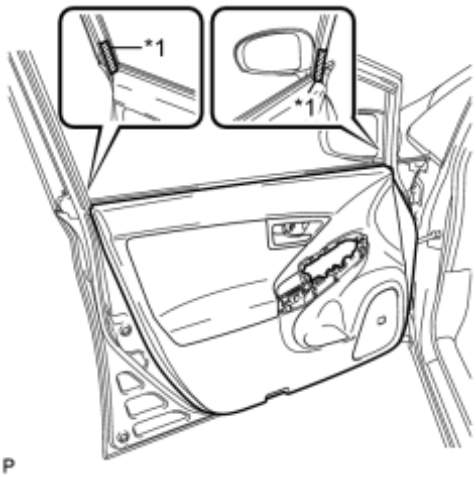
9. REMOVE COURTESY LIGHT ASSEMBLY INFO

10. REMOVE FRONT DOOR TRIM BOARD SUB-ASSEMBLY

(a) Put protective tape around the front door panel.

## Text in Illustration

*1	Protective Tape
----	-----------------

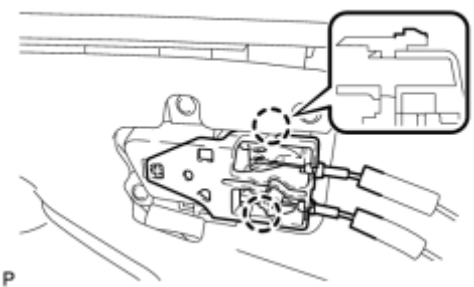


(b) Remove the 2 screws.

(c) Using a clip remover, disengage the 9 clips.

(d) Pull out the front door trim board sub-assembly in the direction indicated by the arrow in the illustration.

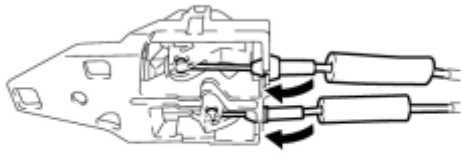
(e) Raise the front door trim board sub-assembly and remove the front door trim board sub-assembly together with the front door inner glass weatherstrip.



(f) Disengage the 2 claws and disconnect the front door inside handle sub-assembly.

## 11. REMOVE FRONT DOOR INSIDE HANDLE SUB-ASSEMBLY

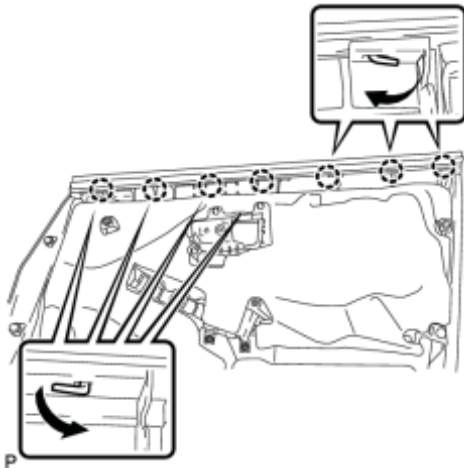




(a) Disconnect the front door lock remote control cable and front door inside locking cable, and remove the front door inside handle sub-assembly.

P

## 12. REMOVE FRONT DOOR INNER GLASS WEATHERSTRIP



(a) Disengage the 7 claws and remove the front door inner glass weatherstrip from the front door trim board sub-assembly as shown in the illustration.

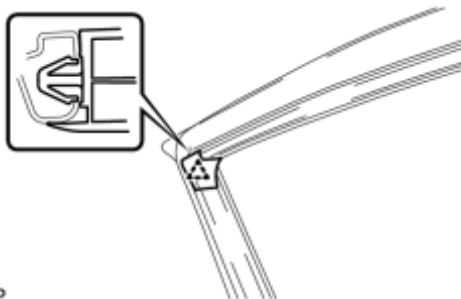
P

## 13. REMOVE OUTER MIRROR PROTECTOR INFO

## 14. REMOVE OUTER MIRROR INSTALL HOLE COVER INFO

## 15. REMOVE OUTER REAR VIEW MIRROR ASSEMBLY INFO

## 16. REMOVE DOOR FRAME GARNISH



(a) Disengage the clip and remove the door frame garnish.

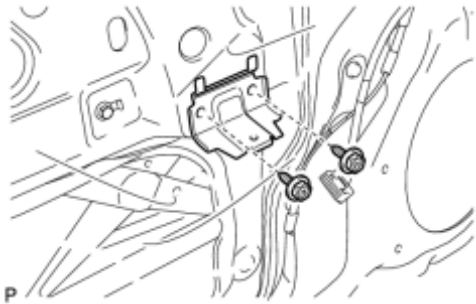
HINT:

This garnish needs to be replaced with a new one because the clip will break when removing the door frame garnish.

P

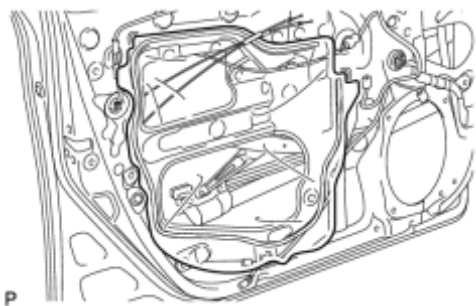
## 17. REMOVE FRONT NO. 1 SPEAKER ASSEMBLY INFO

## 18. REMOVE FRONT DOOR TRIM BRACKET



(a) Remove the 2 screws and front door trim bracket.

## 19. REMOVE FRONT DOOR SERVICE HOLE COVER

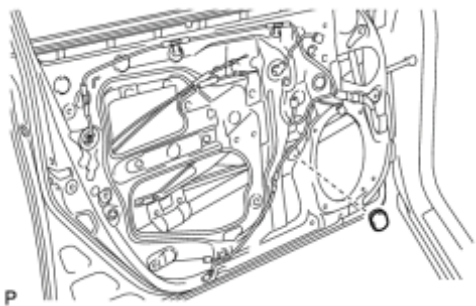


(a) Remove the front door service hole cover.

HINT:

Remove any remaining butyl tape from the door.

## 20. REMOVE FRONT DOOR GLASS SUB-ASSEMBLY




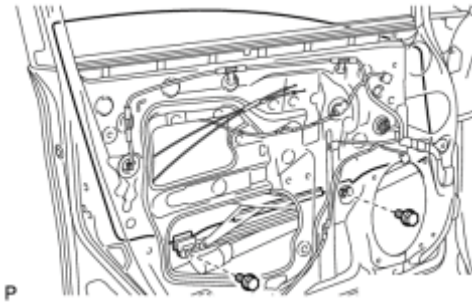
(a) Remove the grommet.

(b) Connect the power window regulator master switch assembly and move the front door glass sub-assembly so that the door glass bolts can be seen.

(c) Disconnect the cable from the negative (-) battery terminal and power window regulator master switch assembly.

NOTICE:

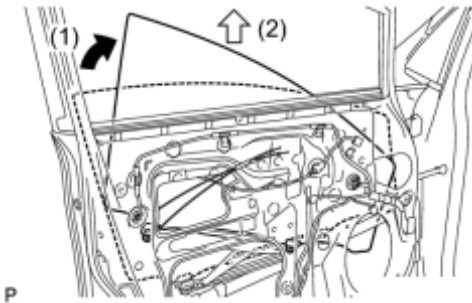
When disconnecting the cable, some systems need to be initialized after the cable is reconnected .



(d) Remove the 2 bolts.

NOTICE:

After the bolts are removed, do not allow the door glass to fall.

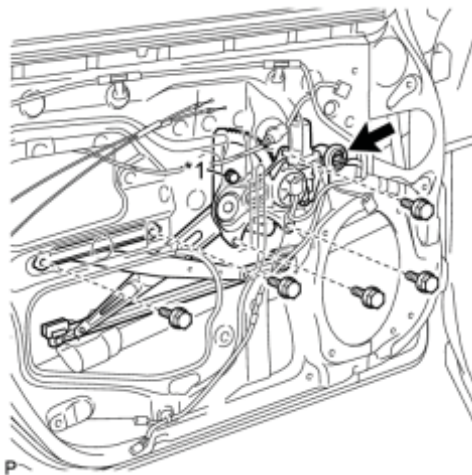


(e) Remove the front door glass sub-assembly as indicated by the arrows, in the order shown in the illustration.

NOTICE:

Do not damage the door glass.

## 21. REMOVE FRONT DOOR WINDOW REGULATOR ASSEMBLY



(a) Disconnect the connector.

(b) Loosen the temporary bolt.

### *Text in Illustration*

*1	Temporary Bolt
----	----------------

NOTICE:

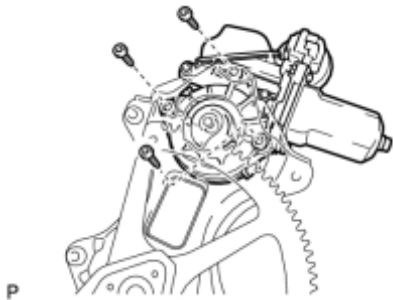
Do not remove the temporary bolt. If the temporary bolt is removed, the front door window regulator may fall and cause damage.

(c) Remove the 5 bolts.

(d) Remove the front door window regulator assembly.

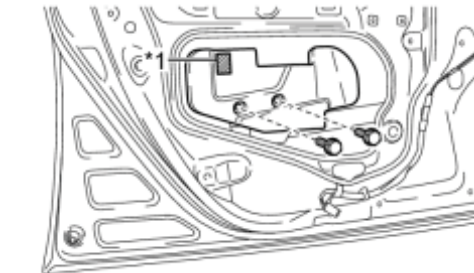
(e) Remove the temporary bolt from the front door window regulator assembly.

## 22. REMOVE FRONT POWER WINDOW REGULATOR MOTOR ASSEMBLY



(a) Using a T25 "TORX" socket wrench, remove the 3 screws and front power window regulator motor assembly.

## 23. REMOVE FRONT DOOR STIFFENER CUSHION

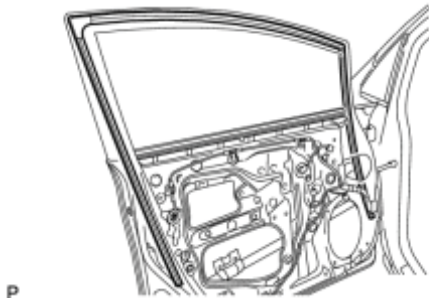


(a) Remove the 2 bolts and front door stiffener cushion.

### **Text in Illustration**

*1	Double-sided Tape
----	-------------------

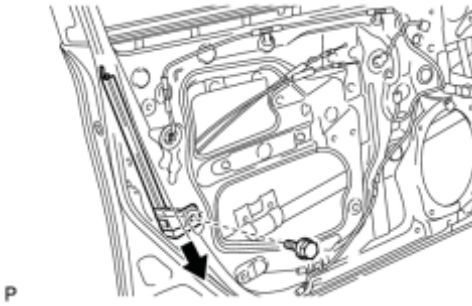
## 24. REMOVE FRONT DOOR GLASS RUN



(a) Remove the front door glass run.

## 25. REMOVE FRONT DOOR REAR LOWER FRAME SUB-ASSEMBLY

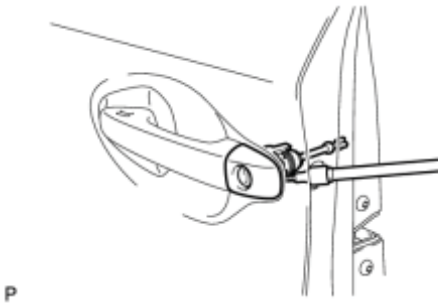
(a) Remove the bolt and front door rear lower frame sub-assembly as shown in the illustration.



26. REMOVE FRONT DOOR OUTSIDE HANDLE COVER WITH LOCK CYLINDER ASSEMBLY (for Driver Side)



(a) Remove the hole plug.

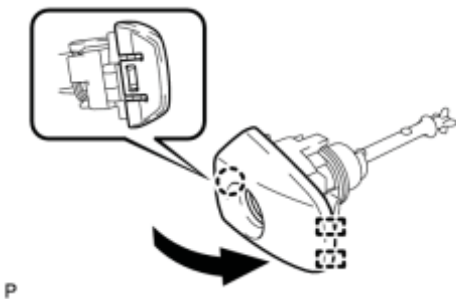


(b) Using a T30 "TORX" socket wrench, loosen the screw and remove the front door outside handle cover with lock cylinder assembly.

HINT:

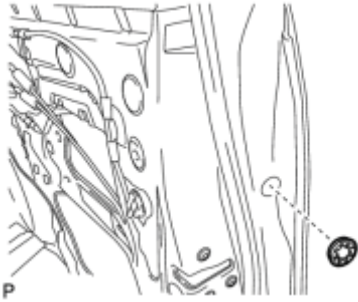
The screw cannot be removed because it is integrated into the front door outside handle frame sub-assembly.

27. REMOVE FRONT DOOR OUTSIDE HANDLE COVER (for Driver Side)

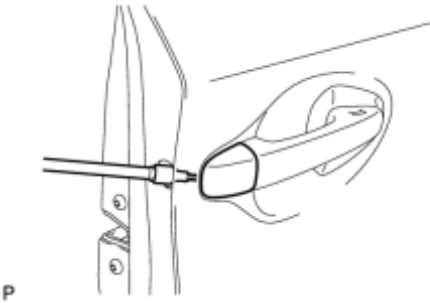


(a) Using a screwdriver, disengage the claw and 2 guides, and remove the front door outside handle cover as shown in the illustration.

28. REMOVE FRONT DOOR OUTSIDE HANDLE COVER (for Front Passenger Side)



(a) Remove the hole plug.



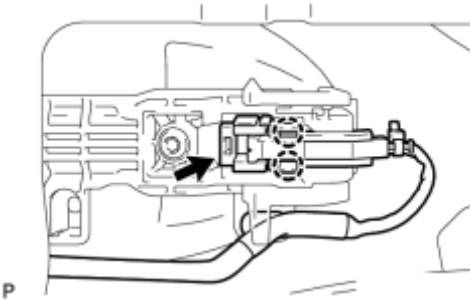
(b) Using a T30 "TORX" socket wrench, loosen the screw and remove the front door outside handle cover.

HINT:

The screw cannot be removed because it is integrated into the front door outside handle frame sub-assembly.

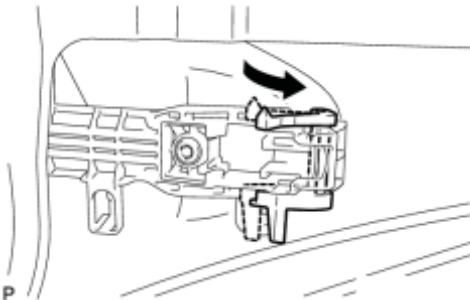
## 29. REMOVE FRONT DOOR OUTSIDE HANDLE ASSEMBLY

(a) w/ smart key system

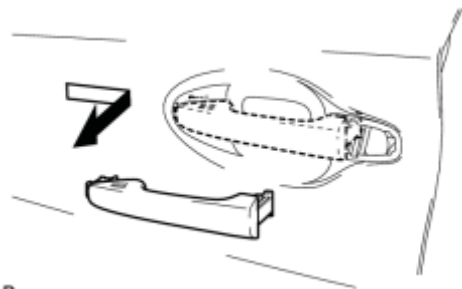


(1) Disengage the 2 claws.

(2) Disconnect the connector.

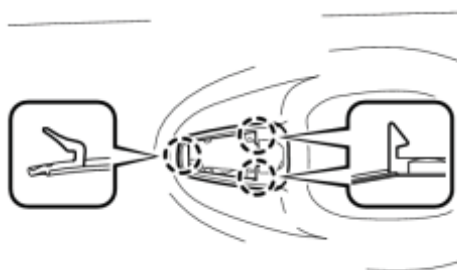


(b) Move the lever in the direction indicated by the arrow in the illustration.



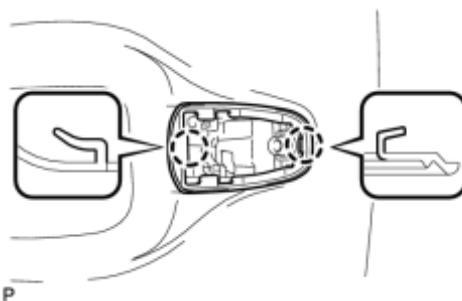
(c) Remove the front door outside handle assembly as shown in the illustration.

### 30. REMOVE FRONT DOOR FRONT OUTSIDE HANDLE PAD



(a) Disengage the 3 claws and remove the front door front outside handle pad.

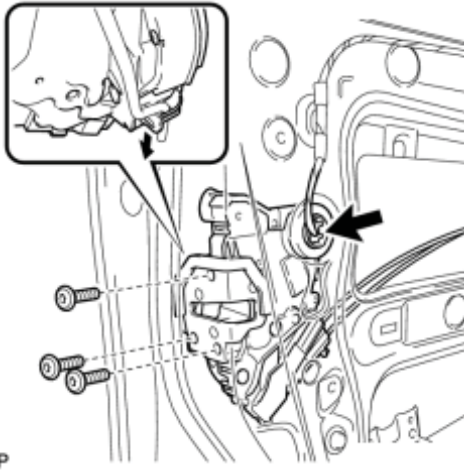
### 31. REMOVE FRONT DOOR REAR OUTSIDE HANDLE PAD



(a) Disengage the 2 claws and remove the front door rear outside handle pad.

### 32. REMOVE FRONT DOOR LOCK ASSEMBLY

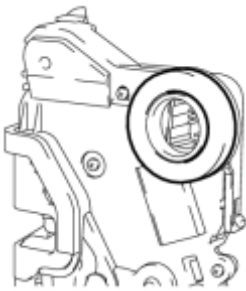
(a) Disconnect the connector.



P

(b) Using a T30 "TORX" socket wrench, remove the 3 screws.

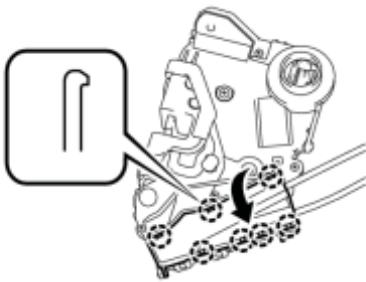
(c) Slide the front door lock assembly downward, and remove the front door lock assembly and cables as a unit.



P

(d) Remove the door lock wiring harness seal from the front door lock assembly.

### 33. REMOVE FRONT DOOR LOCK REMOTE CONTROL CABLE ASSEMBLY



P

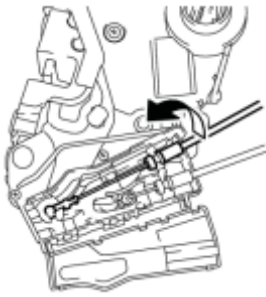
(a) Using a screwdriver, disengage the 7 claws as shown in the illustration.

HINT:

Tape the screwdriver tip before use.

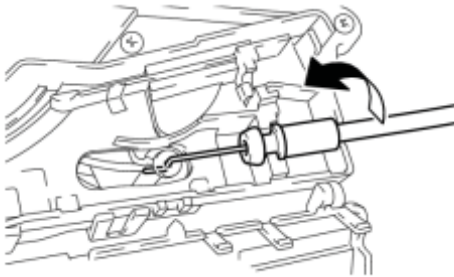
(b) Remove the front door lock remote control cable assembly as shown in the illustration.





P

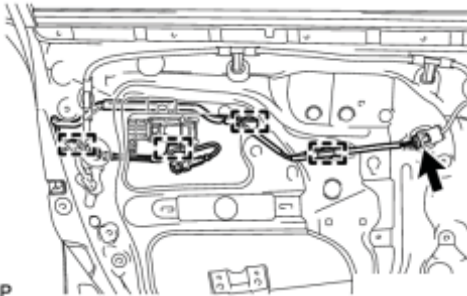
### 34. REMOVE FRONT DOOR INSIDE LOCKING CABLE ASSEMBLY



P

(a) Remove the front door inside locking cable assembly as shown in the illustration.

### 35. REMOVE ELECTRICAL KEY WIRE HARNESS (w/ Smart Key System)



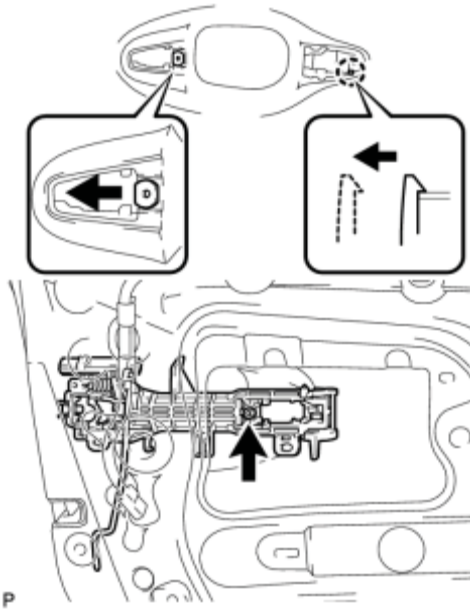
P

(a) Disconnect the connector.

(b) Disengage the 4 clamps and remove the electrical key wire harness.

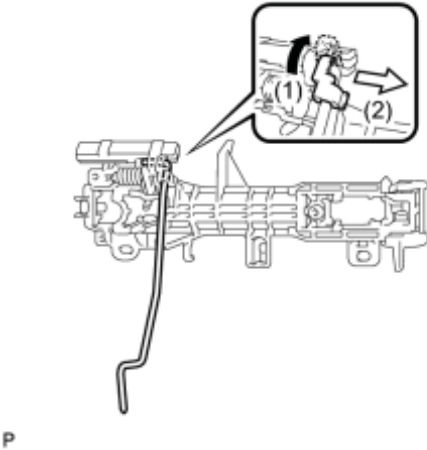
### 36. REMOVE FRONT DOOR OUTSIDE HANDLE FRAME SUB-ASSEMBLY

(a) Using a T30 "TORX" socket wrench, loosen the screw.



(b) Slide the front door outside handle frame sub-assembly to disengage the door handle nut and claw of the front door outside handle frame sub-assembly, and then remove it.

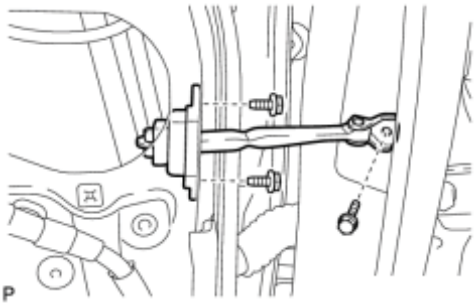
### 37. REMOVE FRONT DOOR LOCK OPEN ROD



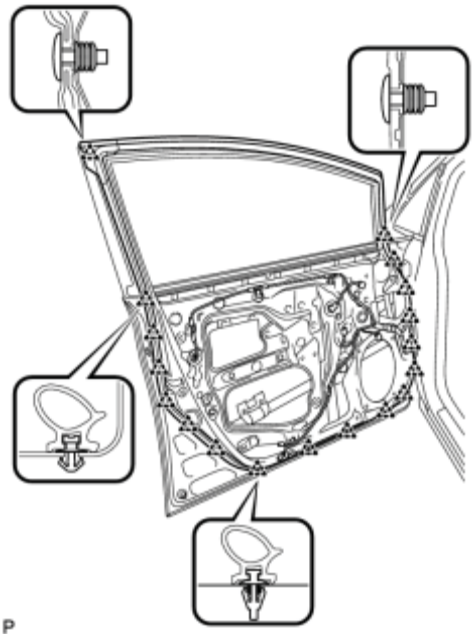
(a) Remove the front door lock open rod as indicated by the arrows, in the order shown in the illustration.

### 38. REMOVE FRONT DOOR CHECK ASSEMBLY

(a) Remove the 3 bolts and front door check assembly.

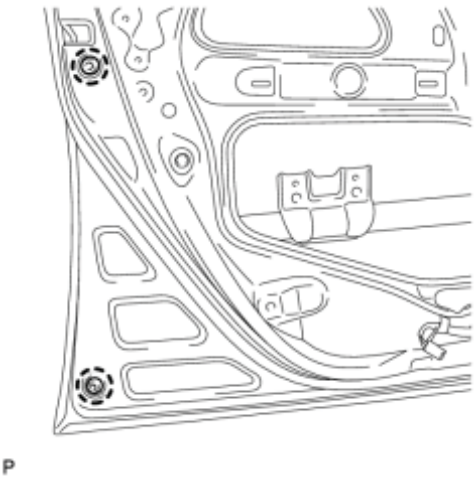


39. REMOVE FRONT DOOR WEATHERSTRIP



(a) Using a clip remover, disengage the 18 clips and remove the front door weatherstrip.

40. REMOVE FRONT DOOR PANEL CUSHION



(a) Disengage the 2 claws and remove the 2 front door panel cushions.

41. REMOVE FRONT DOOR BELT MOULDING ASSEMBLY\_ [INFO](#)

42. REMOVE FRONT DOOR REAR WINDOW FRAME MOULDING\_ [INFO](#)

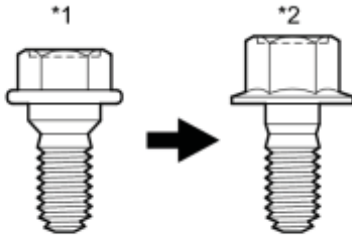
43. REMOVE NO. 1 BLACK OUT TAPE\_ [INFO](#)

44. REMOVE FRONT DOOR OUTSIDE STRIPE\_ [INFO](#)

45. REMOVE FRONT DOOR LOWER OUTSIDE STRIPE\_ [INFO](#)

46. REMOVE FRONT DOOR REAR OUTSIDE STRIPE\_ [INFO](#)

# ADJUSTMENT



P

## Text in Illustration

*1	Centering Bolt
*2	Standard Bolt

## CAUTION:

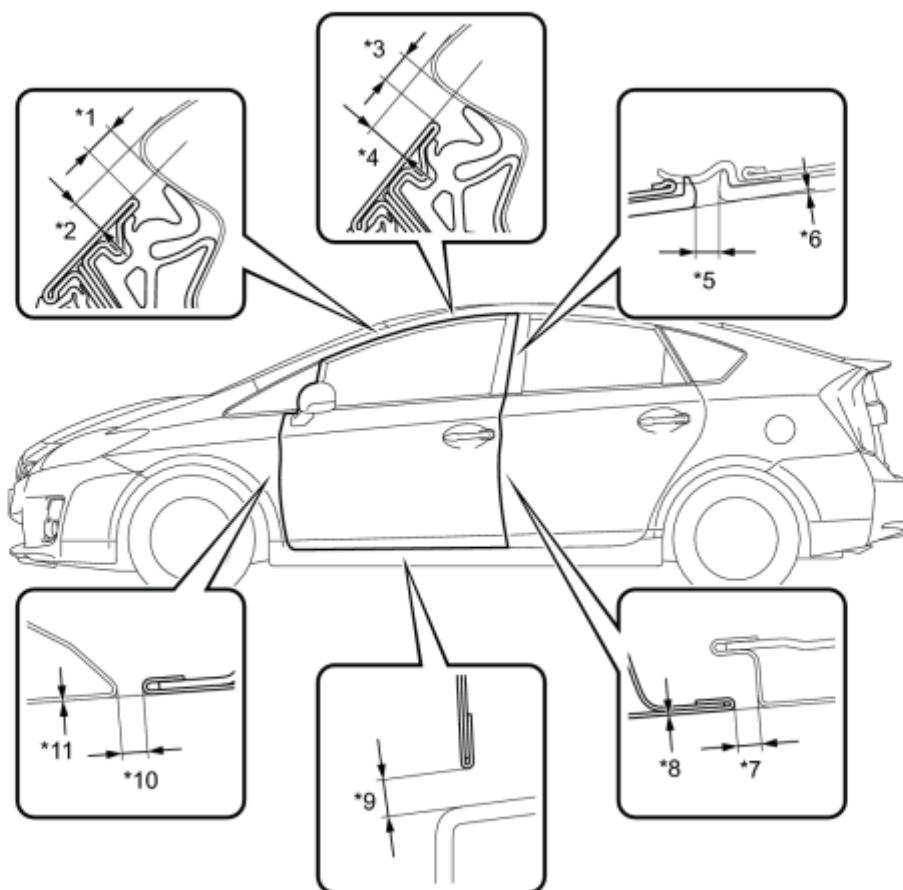
Before adjusting the door positions of vehicles equipped with side and curtain shield airbags, be sure to disconnect the battery. After adjustment, check that the SRS warning light is operating normally and there are no SRS DTCs output.

## HINT:

- Use the same procedure for the RH side and LH side.
- The following procedure is for the LH side.
- Centering bolts are used to mount the door hinge to the vehicle body and door. The door cannot be adjusted with the centering bolts installed on it. Substitute the centering bolts with standard bolts when making adjustments.
- Specified torque for standard bolts is shown in the standard bolt chart [INFO](#).

## 1. INSPECT FRONT DOOR

(a) Check that the clearance measurements of areas \*1 through \*11 are within each standard range.



P

### Standard Clearance

Area	Measurement	Area	Measurement
*1	3.57 to 6.57 mm (0.141 to 0.259 in.)	*2	4.57 to 7.57 mm (0.180 to 0.298 in.)
*3	3.57 to 6.57 mm (0.141 to 0.259 in.)	*4	5.17 to 8.17 mm (0.204 to 0.322 in.)
*5	2.8 to 5.8 mm (0.110 to 0.228 in.)	*6	-1.3 to 1.7 mm (-0.0512 to 0.0669 in.)
*7	2.7 to 5.7 mm (0.106 to 0.1224 in.)	*8	-1.5 to 1.5 mm (-0.0591 to 0.0591 in.)
*9	4.15 to 7.15 mm (0.163 to 0.282 in.)	*10	2.8 to 5.8 mm (0.110 to 0.228 in.)
*11	-1.5 to 1.5 mm (-0.0591 to 0.0591 in.)	-	-

2. REMOVE REAR NO. 2 FLOOR BOARD (for Separate Type) [INFO](#)

3. REMOVE REAR DECK FLOOR BOX [INFO](#)

4. REMOVE REAR NO. 3 FLOOR BOARD [INFO](#)

5. DISCONNECT CABLE FROM NEGATIVE BATTERY TERMINAL

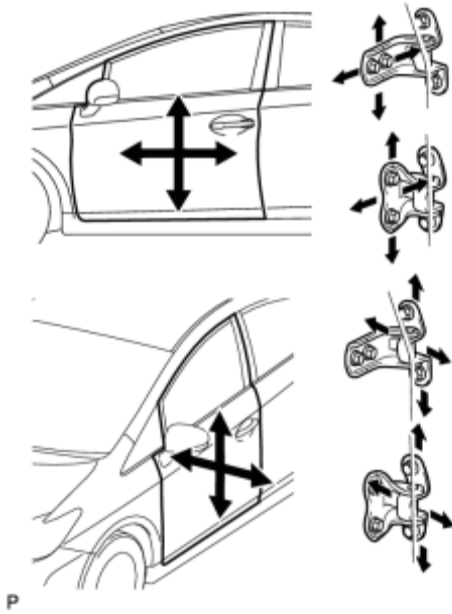
CAUTION:

Wait at least 90 seconds after disconnecting the cable from the negative (-) battery terminal to disable the SRS system.

NOTICE:

When disconnecting the cable, some systems need to be initialized after the cable is reconnected INFO.

## 6. ADJUST FRONT DOOR



(a) Using SST, loosen the hinge bolts on the vehicle body and adjust the door position.

SST: 09812-00010

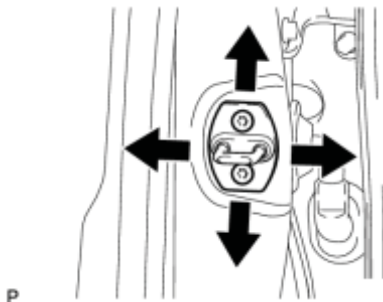
(b) Tighten the hinge bolts on the vehicle body after the adjustment.

Torque: **26 N·m (265 kgf·cm, 19ft·lbf)**

(c) Loosen the hinge bolts on the door and adjust the door position.

(d) Tighten the hinge bolts on the door after the adjustment.

Torque: **26 N·m (265 kgf·cm, 19ft·lbf)**



(e) Using a T40 "TORX" socket wrench, slightly loosen the striker mounting screws.

(f) Using a brass bar and a hammer, hit the striker to adjust its position.

(g) Using a T40 "TORX" socket wrench, tighten the striker mounting screws after the adjustment.

Torque: **23 N·m (235 kgf·cm, 17ft·lbf)**

## 7. CONNECT CABLE TO NEGATIVE BATTERY TERMINAL

### NOTICE:

When disconnecting the cable, some systems need to be initialized after the cable is reconnected INFO.

8. INSTALL REAR NO. 3 FLOOR BOARD\_ INFO

9. INSTALL REAR DECK FLOOR BOX\_ INFO

10. INSTALL REAR NO. 2 FLOOR BOARD (for Separate Type)\_ INFO

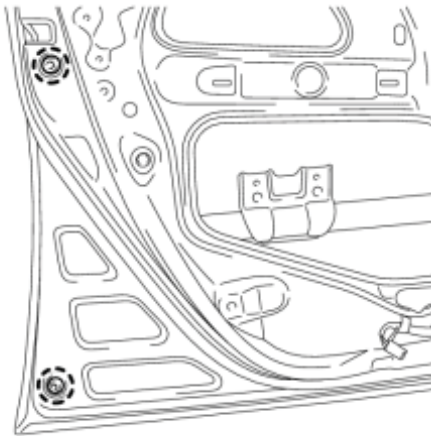
11. INSPECT SRS WARNING LIGHT

INFO



# REASSEMBLY

1. REPAIR INSTRUCTION\_ [INFO](#)
2. INSTALL NO. 1 BLACK OUT TAPE\_ [INFO](#)
3. INSTALL FRONT DOOR LOWER OUTSIDE STRIPE\_ [INFO](#)
4. INSTALL FRONT DOOR REAR OUTSIDE STRIPE\_ [INFO](#)
5. INSTALL FRONT DOOR OUTSIDE STRIPE\_ [INFO](#)
6. INSTALL FRONT DOOR REAR WINDOW FRAME MOULDING\_ [INFO](#)
7. INSTALL FRONT DOOR BELT MOULDING ASSEMBLY\_ [INFO](#)
8. INSTALL FRONT DOOR PANEL CUSHION

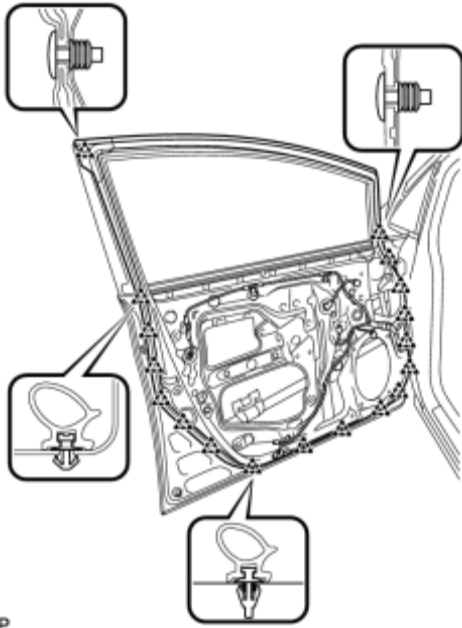


(a) Engage the 2 claws and install 2 new front door panel cushions.

P

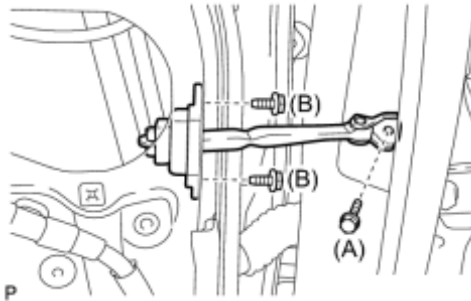
9. INSTALL FRONT DOOR WEATHERSTRIP

(a) Engage the 18 clips and install the front door weatherstrip.



## 10. INSTALL FRONT DOOR CHECK ASSEMBLY

(a) Apply MP grease to the sliding areas of the front door check assembly.



(b) Apply adhesive to the threads of the bolt (A).

Adhesive:

Toyota Genuine Adhesive 1324, Three Bond 1324 or equivalent

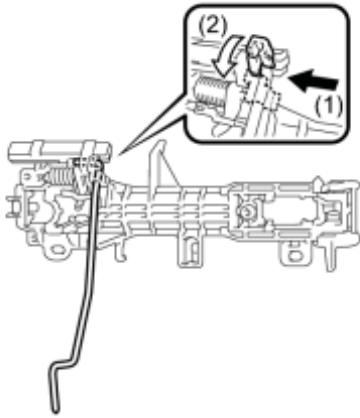
(c) Install the front door check assembly with the 3 bolts.

(A) - Torque: **30 N·m (306 kgf·cm, 22ft·lbf)**

(B) - Torque: **5.5 N·m (56 kgf·cm, 49in·lbf)**

## 11. INSTALL FRONT DOOR LOCK OPEN ROD

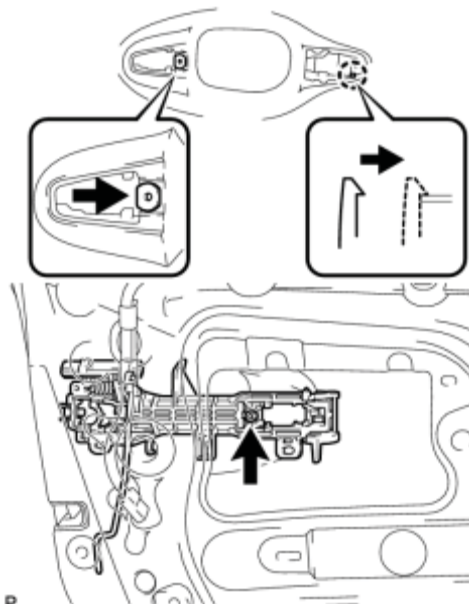
(a) Install the front door lock open rod as indicated by the arrows, in the order shown in the illustration.



P

## 12. INSTALL FRONT DOOR OUTSIDE HANDLE FRAME SUB-ASSEMBLY

(a) Apply MP grease to the sliding parts on the front door outside handle frame sub-assembly.



P

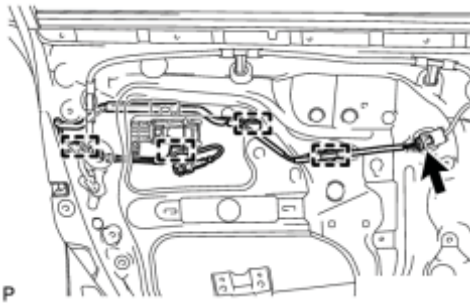
(b) Engage the door handle nut and claw.

(c) Using a T30 "TORX" socket wrench, install the front door outside handle frame sub-assembly with the screw.

Torque: **4.0 N·m (41 kgf·cm, 35in·lbf)**

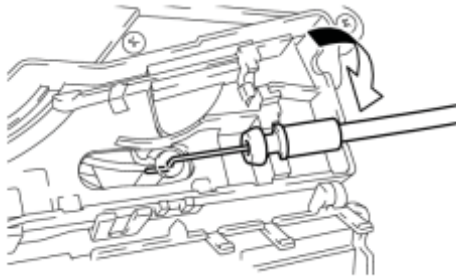
## 13. INSTALL ELECTRICAL KEY WIRE HARNESS (w/ Smart Key System)

(a) Engage the 4 clamps and install the electrical key wire harness.



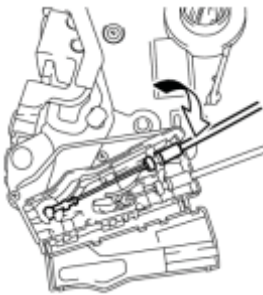
(b) Connect the connector.

#### 14. INSTALL FRONT DOOR INSIDE LOCKING CABLE ASSEMBLY

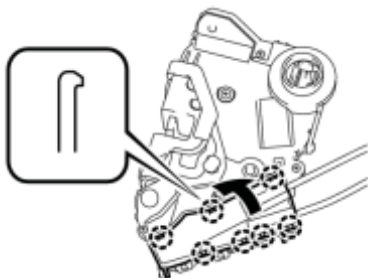


(a) Install the front door inside locking cable assembly as shown in the illustration.

#### 15. INSTALL FRONT DOOR LOCK REMOTE CONTROL CABLE ASSEMBLY



(a) Install the front door lock remote control cable assembly as shown in the illustration.



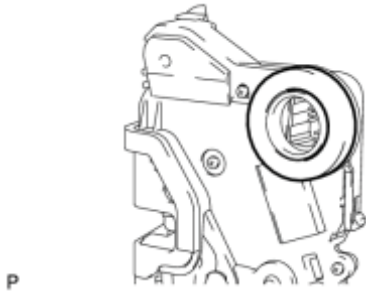
(b) Engage the 7 claws as shown in the illustration.

#### 16. INSTALL FRONT DOOR LOCK ASSEMBLY

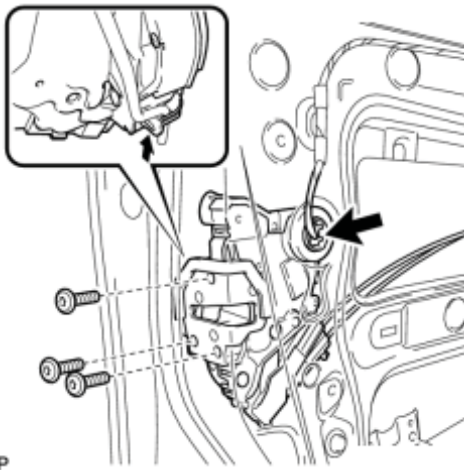
NOTICE:

- When reusing the removed front door lock assembly, replace the door lock wiring harness seal on the connector with a new one.
- Do not allow grease or dust to adhere to the door lock wiring harness seal surface of the connector.
- Reusing the door lock wiring harness seal or using a damaged door lock wiring harness seal may cause water intrusion. This may result in a malfunction of the front door lock assembly.

(a) Apply MP grease to the sliding parts of the front door lock assembly.



(b) Install a new door lock wiring harness seal to the front door lock assembly.



(c) Insert the front door lock open rod to the front door lock assembly.

(d) Make sure that the front door lock open rod is securely connected to the front door lock assembly.

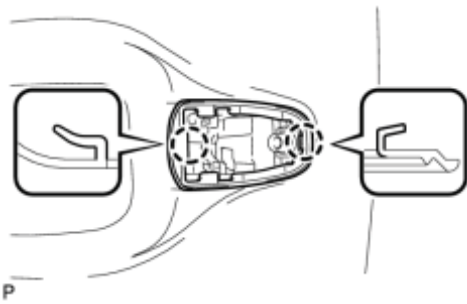
(e) Using a T30 "TORX" socket wrench, install the front door lock assembly with the 3 screws.

Torque: **5.0 N·m (51 kgf·cm, 44in·lbf)**

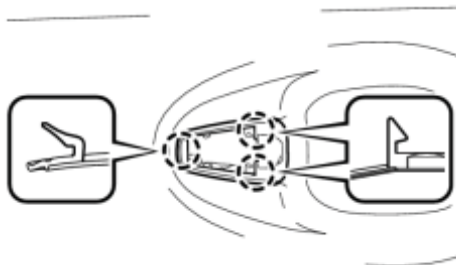
(f) Connect the connector.

## 17. INSTALL FRONT DOOR REAR OUTSIDE HANDLE PAD

(a) Engage the 2 claws and install the front door rear outside handle pad.

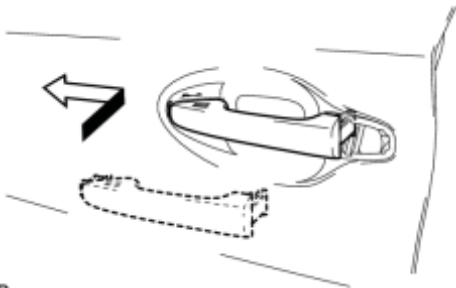


## 18. INSTALL FRONT DOOR FRONT OUTSIDE HANDLE PAD



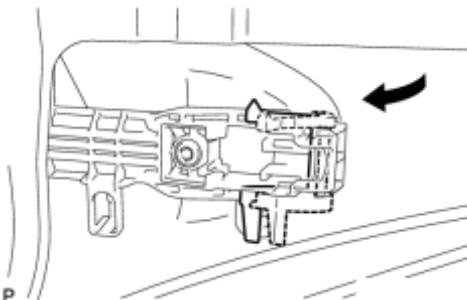
(a) Engage the 3 claws and install the front door front outside handle pad.

## 19. INSTALL FRONT DOOR OUTSIDE HANDLE ASSEMBLY



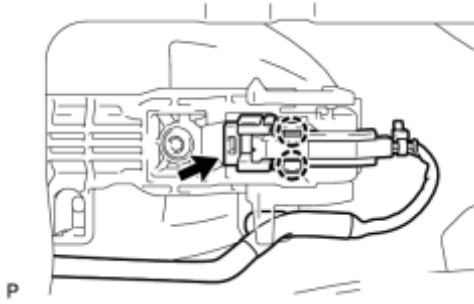
(a) Insert the front end of the front door outside handle assembly into the front door outside handle frame.

(b) Insert the rear end of the front door outside handle assembly into the front door outside handle frame, then slide the front door outside handle assembly toward the front of the vehicle to install it.



(c) Move the lever back in the direction indicated by the arrow in the illustration to lock the door outside handle assembly.

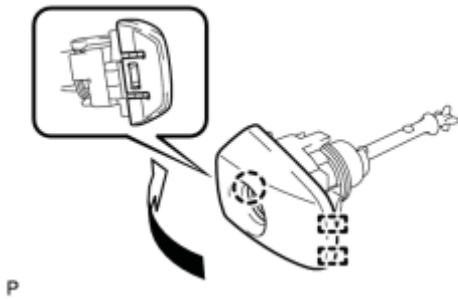
(d) w/ smart key system:



(1) Connect the connector.

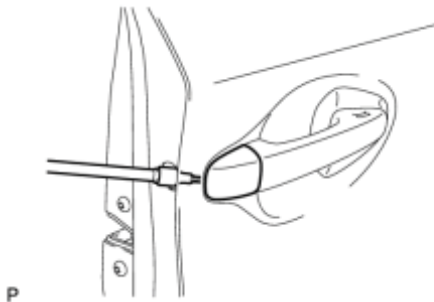
(2) Engage the 2 claws.

## 20. INSTALL FRONT DOOR OUTSIDE HANDLE COVER (for Driver Side)



(a) Engage the claw and 2 guides, and install the front door outside handle cover to the front door lock cylinder.

## 21. INSTALL FRONT DOOR OUTSIDE HANDLE COVER (for Front Passenger Side)



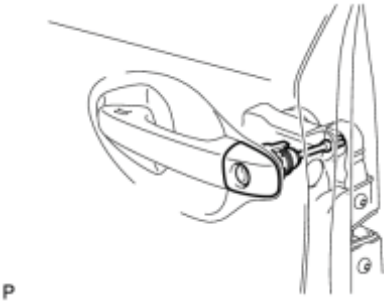
(a) Using a T30 "TORX" socket wrench, install the front door outside handle cover with the screw.

**Torque: 4.0 N·m (41 kgf·cm, 35in·lbf)**

(b) Install the hole plug.



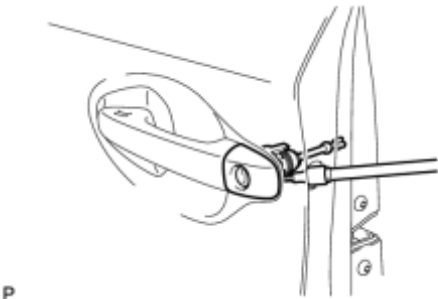
## 22. INSTALL FRONT DOOR OUTSIDE HANDLE COVER WITH LOCK CYLINDER ASSEMBLY (for Driver Side)



(a) Install the front door outside handle cover with lock cylinder assembly.

HINT:

Make sure that the front door lock cylinder rod is inserted into the front door lock assembly.



(b) Using a T30 "TORX" socket wrench, install the front door lock cylinder with the screw.

Torque: **4.0 N·m (41 kgf·cm, 35in·lbf)**

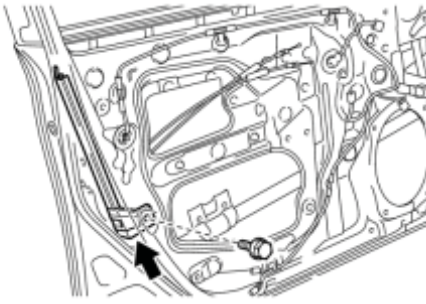


(c) Install the hole plug.

## 23. INSTALL FRONT DOOR REAR LOWER FRAME SUB-ASSEMBLY

(a) Install the front door rear lower frame sub-assembly with the bolt as shown in the illustration.

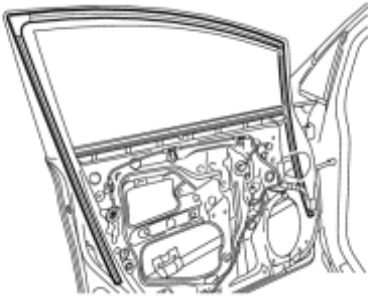




Torque: **8.0 N·m (82 kgf·cm, 71in·lbf)**

P

#### 24. INSTALL FRONT DOOR GLASS RUN



(a) Install the front door glass run.

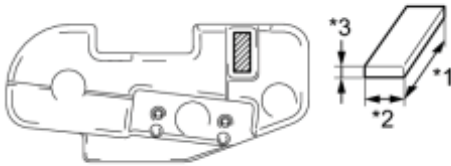
P

#### 25. INSTALL FRONT DOOR STIFFENER CUSHION

(a) When reusing the front door stiffener cushion:

- (1) Clean the front door stiffener cushion.
- (2) Remove the double-sided tape from the front door stiffener cushion.
- (3) Wipe off any tape adhesive residue with cleaner.

(4) Apply new double-sided tape to the front door stiffener cushion as shown in the illustration.

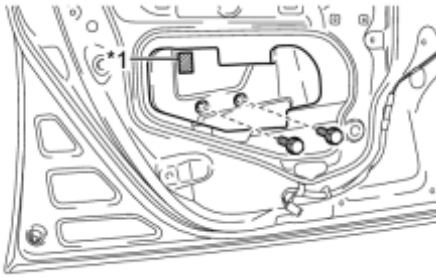


P

Area	Dimension
*1	40.0 mm (1.575 in.)
*2	17.0 mm (0.669 in.)
*3	3.0 mm (0.118 in.)

(b) Clean the front door panel sub-assembly.

(c) Insert the front door stiffener cushion with the 2 bolts.



## Text in Illustration

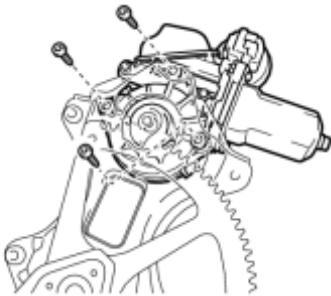
*1	Double-sided Tape
----	-------------------

P

## 26. INSTALL FRONT POWER WINDOW REGULATOR MOTOR ASSEMBLY

### NOTICE:

The regulator arm must be below the intermediate position when installing the power window regulator motor.



P

(a) Using a T25 "TORX" socket wrench, install the front power window regulator motor assembly with the 3 screws.

Torque: **5.4 N·m (55 kgf·cm, 48in·lbf)**

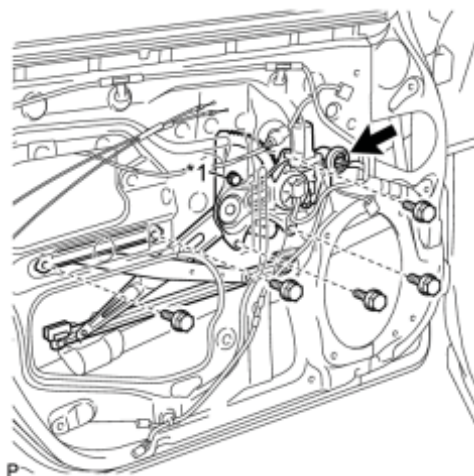
### HINT:

A new front window regulator uses self-tapping screws to thread new installation holes when the self-tapping screws are inserted.

## 27. INSTALL FRONT DOOR WINDOW REGULATOR ASSEMBLY

(a) Apply MP grease to the sliding parts of the front door window regulator assembly.

(b) Install the temporary bolt to the front door window regulator assembly.



P

(c) Temporarily install the front door window regulator assembly.

## Text in Illustration

*1	Temporary Bolt
----	----------------

(d) Tighten the temporary bolt and 5 bolts.

Torque: **8.0 N·m (82 kgf·cm, 71in·lbf)**

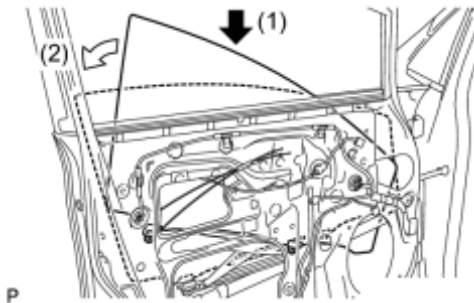
(e) Connect the connector.

## 28. INSTALL FRONT DOOR GLASS SUB-ASSEMBLY

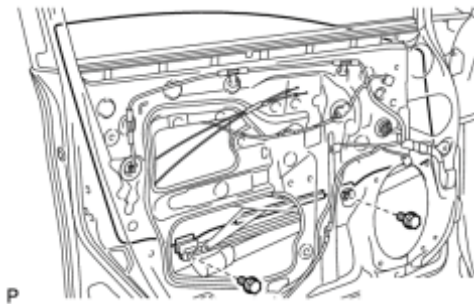
(a) Connect the cable to the negative (-) battery terminal.

(b) Connect the power window regulator master switch assembly and move the front door glass sub-assembly so that the door glass bolts can be seen.

(c) Disconnect the cable from the negative (-) battery terminal and power window regulator master switch assembly.

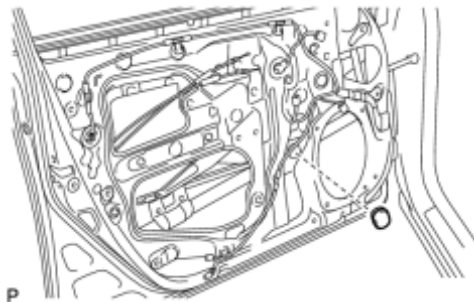


(d) Insert the front door glass sub-assembly into the front door panel along the front door glass run as indicated by the arrows, in the order shown in the illustration.



(e) Install the front door glass sub-assembly with the 2 bolts.

Torque: **8.0 N·m (82 kgf·cm, 71in·lbf)**



(f) Install the grommet.

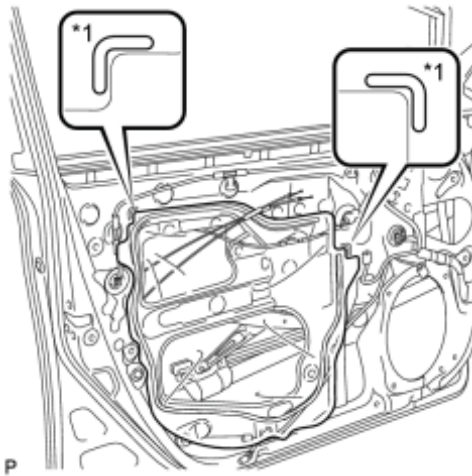
(g) Connect the cable to the negative (-) battery terminal.

NOTICE:

When disconnecting the cable, some systems need to be initialized after the cable is reconnected INFO.

## 29. INSTALL FRONT DOOR SERVICE HOLE COVER

(a) Apply butyl tape to the front door panel.



(b) Pass the front door lock remote control cable assembly and front door inside locking cable assembly through a new front door service hole cover.

(c) Attach the front door service hole cover according to the reference points on the front door panel.

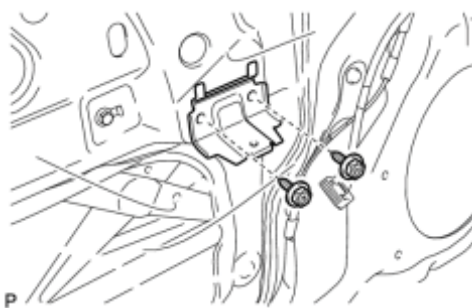
### *Text in Illustration*

*1	Reference Point
----	-----------------

### NOTICE:

Securely install the front door service hole cover preventing wrinkles and air bubbles.

## 30. INSTALL FRONT DOOR TRIM BRACKET

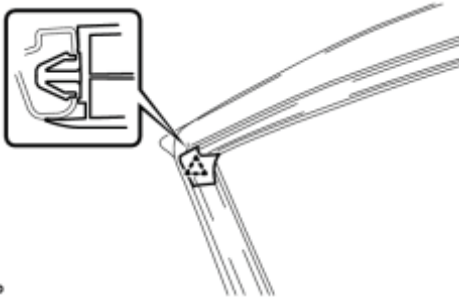


(a) Install the front door trim bracket with the 2 screws.

## 31. INSTALL FRONT NO. 1 SPEAKER ASSEMBLY INFO

## 32. INSTALL DOOR FRAME GARNISH

(a) Engage the clip to install a new door frame garnish.



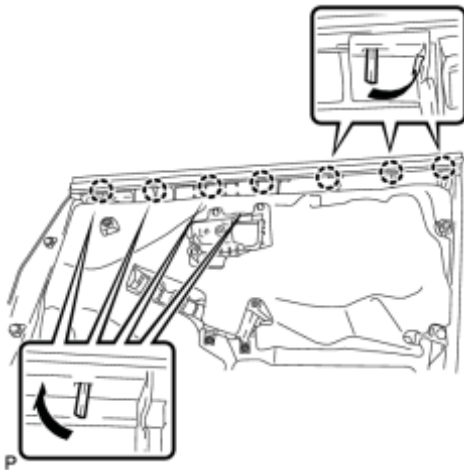
P

33. INSTALL OUTER REAR VIEW MIRROR ASSEMBLY\_ INFO

34. INSTALL OUTER MIRROR INSTALL HOLE COVER\_ INFO

35. INSTALL OUTER MIRROR PROTECTOR\_ INFO

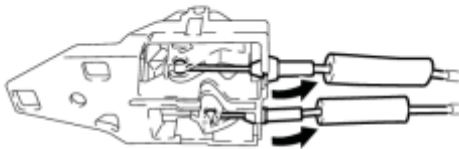
36. INSTALL FRONT DOOR INNER GLASS WEATHERSTRIP



P

(a) Engage the 7 claws and install the front door inner glass weatherstrip to the front door trim board sub-assembly as shown in the illustration.

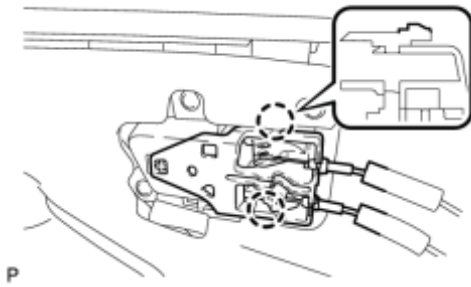
37. INSTALL FRONT DOOR INSIDE HANDLE SUB-ASSEMBLY



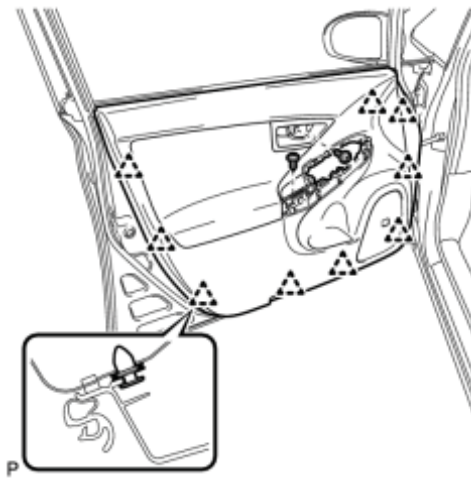
(a) Connect the front door lock remote control cable assembly and front door inside locking cable assembly to the front door inside handle.

P

(b) Engage the 2 claws and install the front door inside handle sub-assembly to the front door trim board sub-assembly.



### 38. INSTALL FRONT DOOR TRIM BOARD SUB-ASSEMBLY



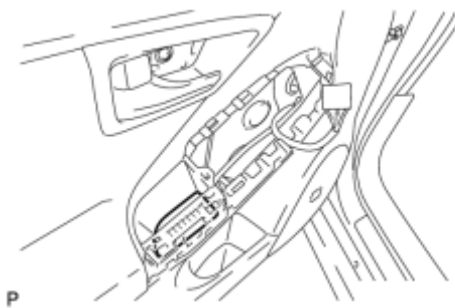
(a) Engage the 9 clips and install the front door trim board sub-assembly.

(b) Install the 2 screws.

(c) Remove the 2 pieces of protective tape.

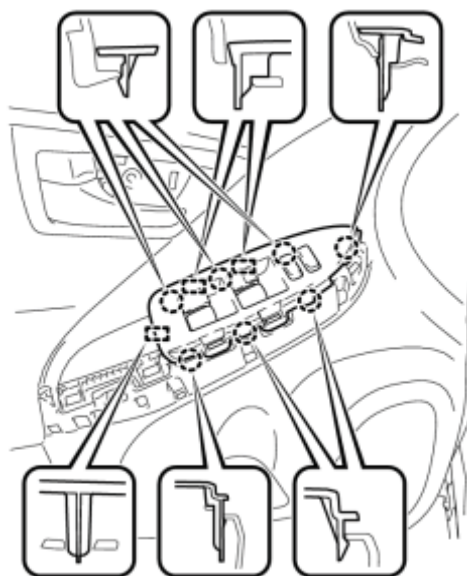
### 39. INSTALL COURTESY LIGHT ASSEMBLY NFC

### 40. INSTALL DOOR ARMREST COVER



(a) Install the door armrest cover.

### 41. INSTALL POWER WINDOW REGULATOR MASTER SWITCH ASSEMBLY WITH FRONT DOOR ARMREST BASE PANEL (for Driver Side)



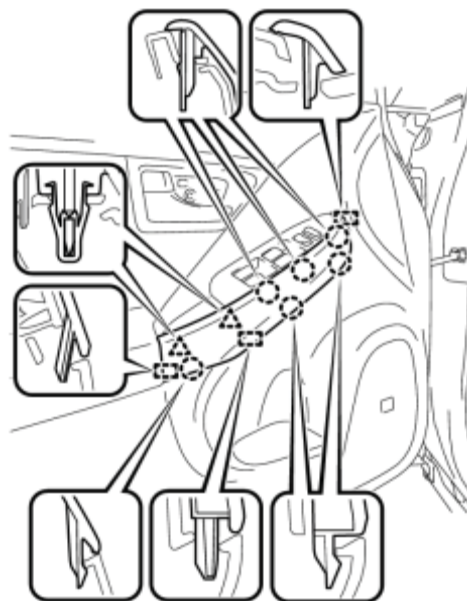
(a) Connect the connector.

P

(b) Engage the 7 claws and 3 guides, and install the power window regulator master switch assembly with front door armrest base panel.

#### 42. INSTALL POWER WINDOW REGULATOR SWITCH ASSEMBLY WITH FRONT DOOR ARMREST BASE PANEL (for Front Passenger Side) INFO

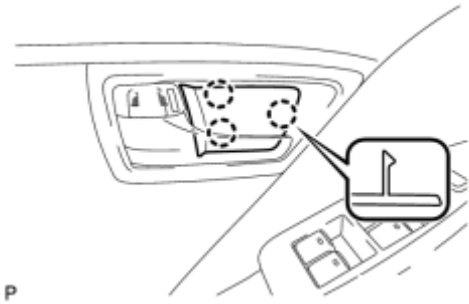
#### 43. INSTALL ASSIST GRIP COVER



(a) Engage the 6 claws, 2 clips and 3 guides, and install the assist grip cover.

P

#### 44. INSTALL FRONT DOOR INSIDE HANDLE BEZEL PLUG



(a) Engage the 3 claws and install the front door inside handle bezel plug.

#### 45. INITIALIZE POWER WINDOW CONTROL SYSTEM

INFO

#### 46. INSTALL REAR NO. 3 FLOOR BOARD\_

INFO

#### 47. INSTALL REAR DECK FLOOR BOX\_

INFO

#### 48. INSTALL REAR NO. 2 FLOOR BOARD (for Separate Type)\_

INFO