

Last Modified: 09-25-2023	6.11:8.1.0	Doc ID: RM10000002BJ84
Model Year Start: 2023	Model: Prius Prime	Prod Date Range: [03/2023 -]
Title: CELLULAR COMMUNICATION: TELEPHONE AND GPS ANTENNA (for Roof Side): REMOVAL; 2023 - 2024 MY Prius Prius Prime [03/2023 -]		

REMOVAL

CAUTION / NOTICE / HINT

The necessary procedures (adjustment, calibration, initialization or registration) that must be performed after parts are removed and installed, or replaced during telephone and GPS antenna assembly removal/installation are shown below.

Necessary Procedures After Parts Removed/Installed/Replaced

REPLACED PART OR PERFORMED PROCEDURE	NECESSARY PROCEDURE	EFFECT/INOPERATIVE FUNCTION WHEN NECESSARY PROCEDURE NOT PERFORMED	LINK
w/ Occupant Classification System: Front passenger seat*	Zero point calibration (Occupant classification system)	<ul style="list-style-type: none"> • Occupant Classification System • Passenger airbag ON/OFF indicator • Airbag System (Front passenger side) • Seat Belt Warning System (Front passenger) 	INFO
*: Even when not replacing the part, it is necessary to perform the specified necessary procedures after installation.			

CAUTION:

Be sure to read Precaution thoroughly before servicing.



[Click here](#) [INFO](#)

NOTICE:

After the ignition switch is turned off, there may be a waiting time before disconnecting the negative (-) auxiliary battery terminal.

[Click here](#) [INFO](#)

HINT:

When the cable is disconnected / reconnected to the auxiliary battery terminal, systems temporarily stop operating. However, each system has a function that completes learning the first time the system is used.

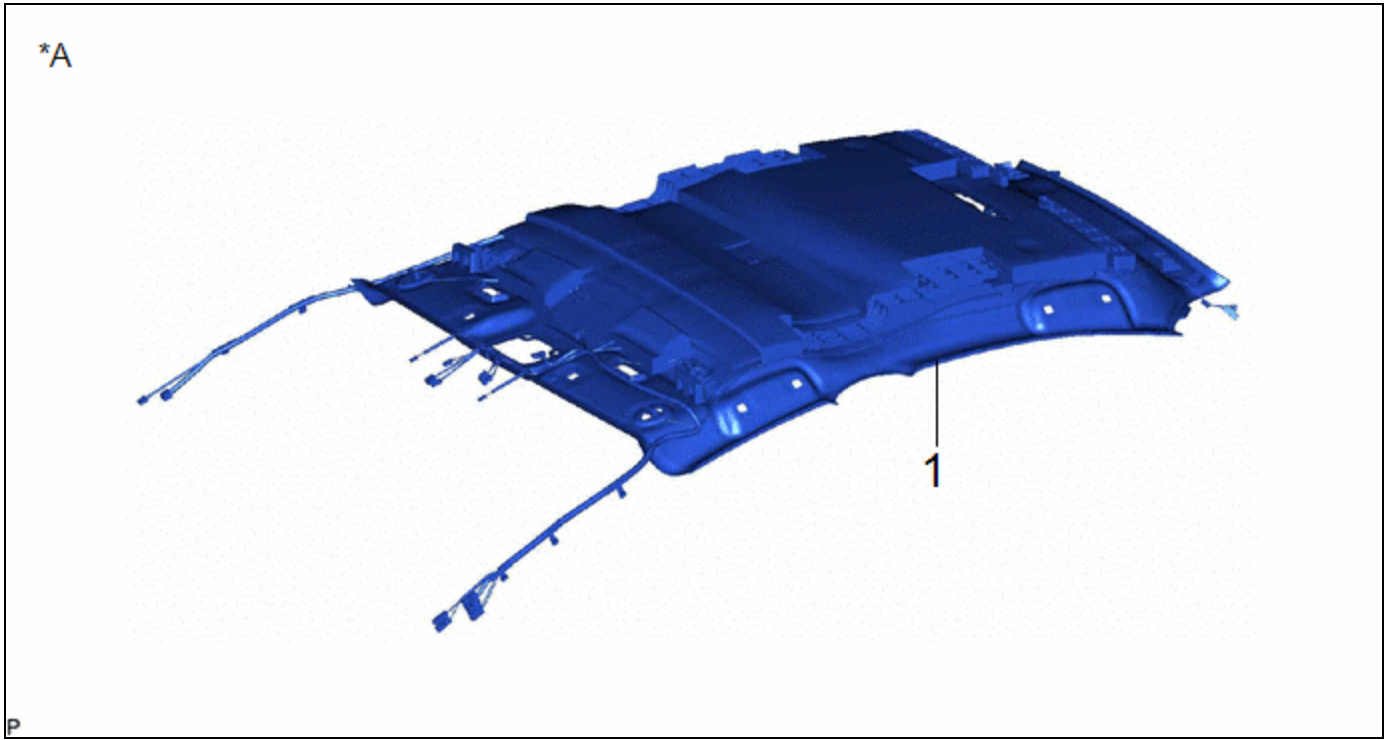
Learning completes when vehicle is driven




EFFECT/INOPERATIVE FUNCTION WHEN NECESSARY PROCEDURE NOT PERFORMED	NECESSARY PROCEDURE	LINK
Front Camera System	Drive the vehicle straight ahead at 35 km/h (22 mph) or more for 5 seconds or more.	INFO

Learning completes when vehicle is operated normally

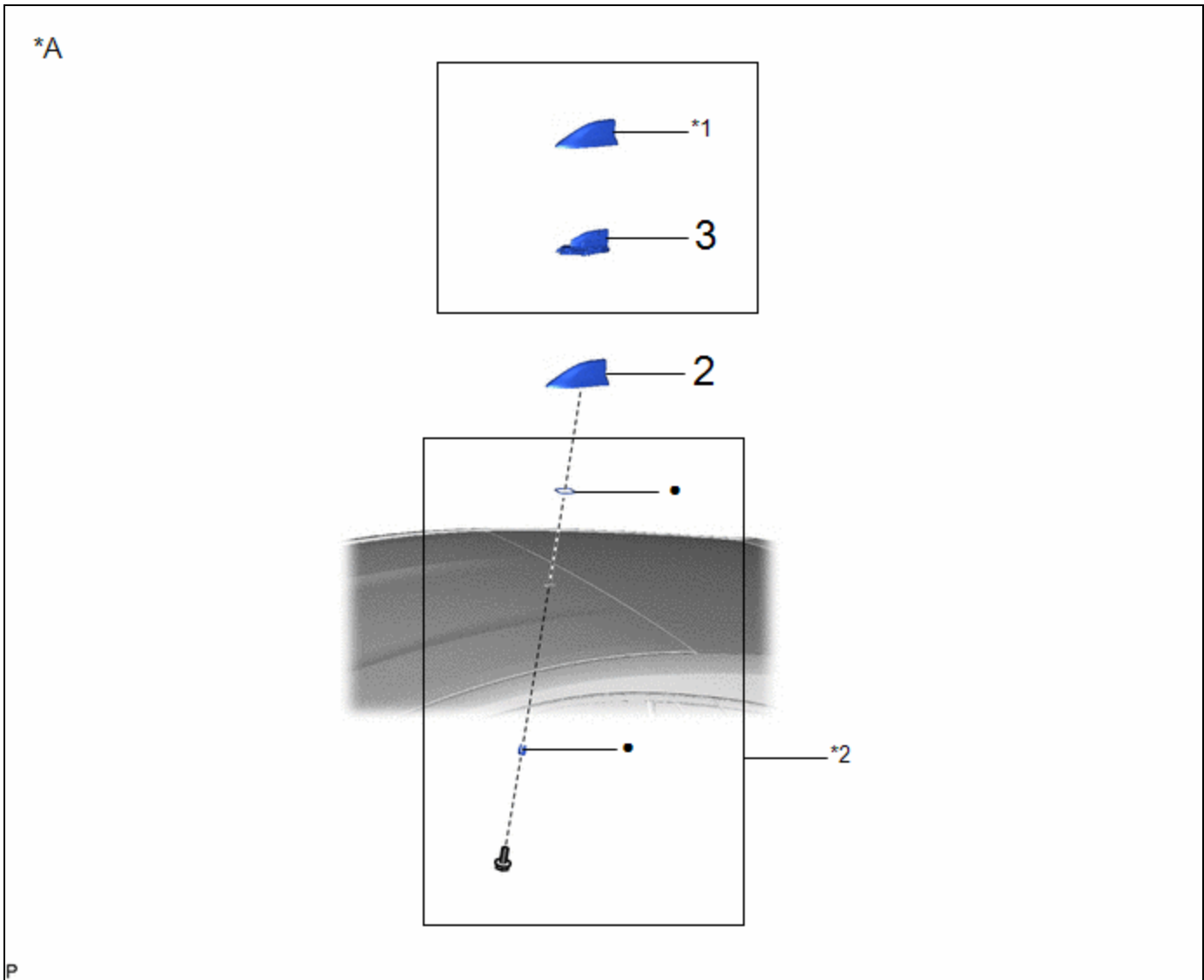
EFFECT/INOPERATIVE FUNCTION WHEN NECESSARY PROCEDURE NOT PERFORMED	NECESSARY PROCEDURE	LINK
Power Door Lock Control System*1 <ul style="list-style-type: none"> Back door opener 	Perform door unlock operation with door control switch or electrical key transmitter sub-assembly switch.	INFO
Power Back Door System*2	Reset back door close position	INFO
Air Conditioning System	<p>for HEV Model:</p> <p>After the ignition switch is turned to ON, the servo motor standard position is recognized.</p> <p>for PHEV Model:</p> <p>After the ignition switch is turned to ON, the servo motor and expansion valve standard position is recognized.</p>	-
*1: w/o Power Back Door System		
*2: w/ Power Back Door System		

CAUTION / NOTICE / HINT**COMPONENTS (REMOVAL)**



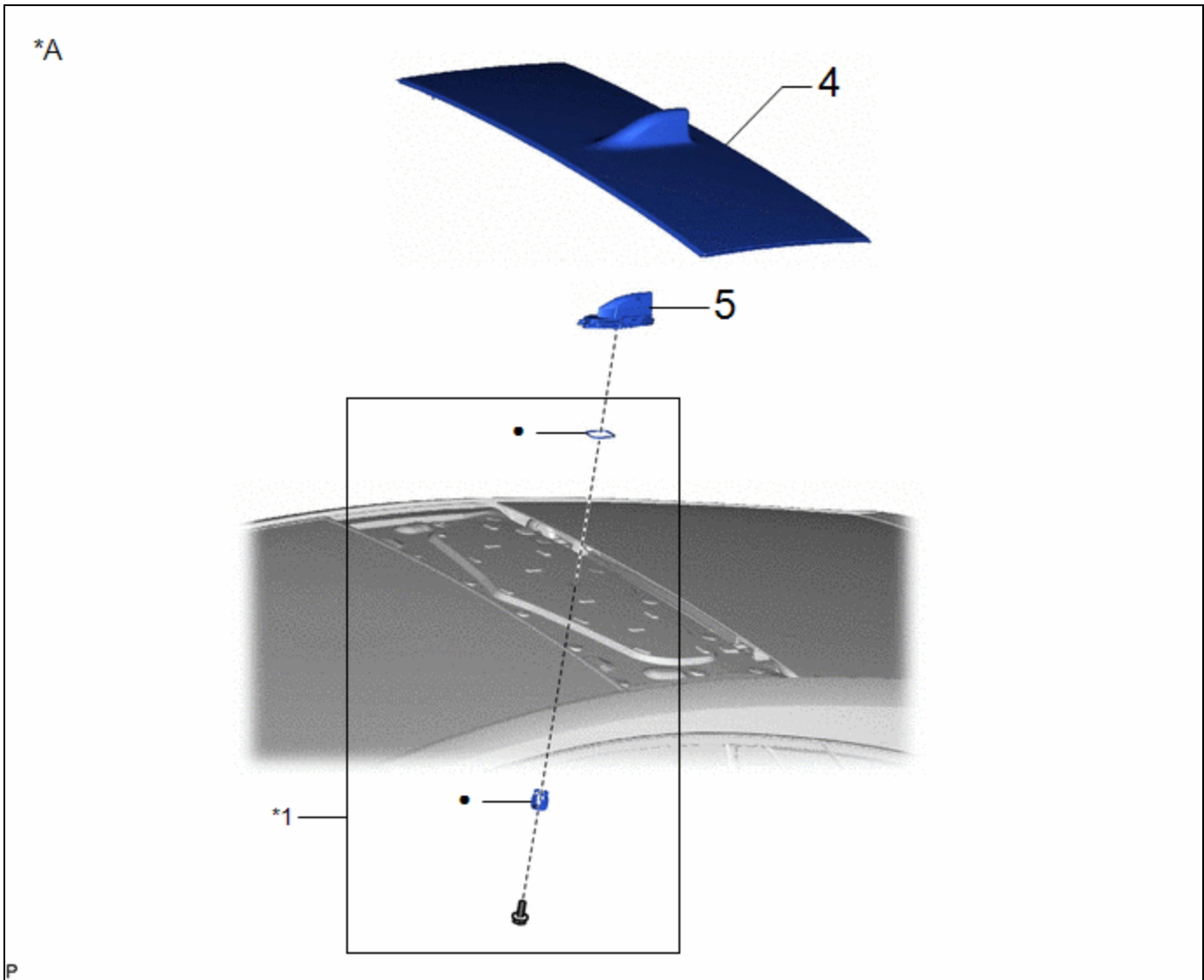
PROCEDURE	PART NAME CODE			
1 ROOF HEADLINING ASSEMBLY	-	-	-	-

*A	for Normal Roof	-	-
----	-----------------	---	---



PROCEDURE		PART NAME CODE			
2	TELEPHONE AND GPS ANTENNA ASSEMBLY WITH COVER	-	-	-	-
3	TELEPHONE AND GPS ANTENNA ASSEMBLY	86300J	-	-	-

*A	for Normal Roof	-	-
*1	COVER	*2	ROOF ANTENNA HOUSING
•	Non-reusable part	-	-



PROCEDURE		PART NAME CODE			
4	ROOF TOP MOULDING SUB-ASSEMBLY	75607B	-	-	-
5	TELEPHONE AND GPS ANTENNA ASSEMBLY	86300J	-	-	-

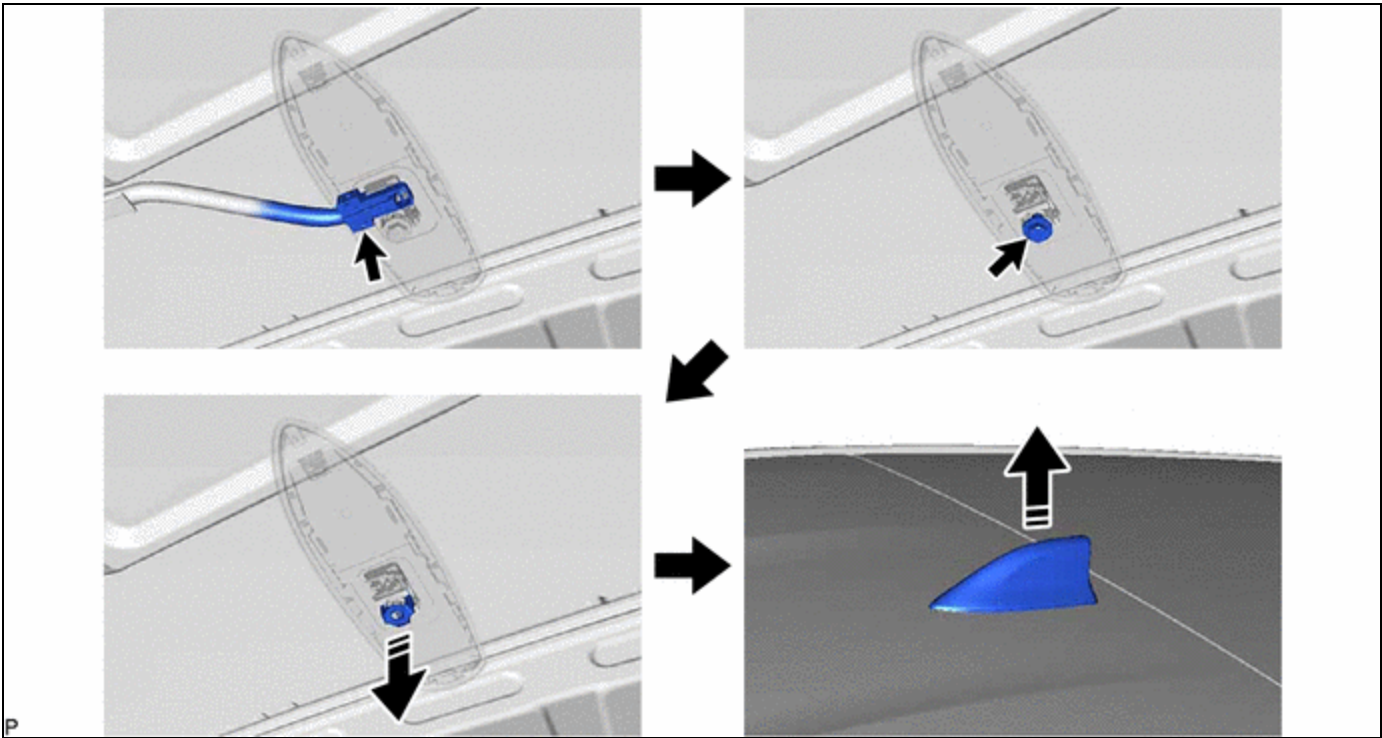
*A	for Panoramic Moon Roof	-	-
*1	ROOF ANTENNA HOUSING	-	-
•	Non-reusable part	-	-


PROCEDURE

1. REMOVE ROOF HEADLINING ASSEMBLY (for Normal Roof)

Click here [INFO](#)


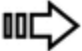
2. REMOVE TELEPHONE AND GPS ANTENNA ASSEMBLY WITH COVER (for Normal Roof)



	Remove in this Direction	-	-
-----------------------------------------------------------------------------------	--------------------------	---	---

3. REMOVE TELEPHONE AND GPS ANTENNA ASSEMBLY (for Normal Roof)

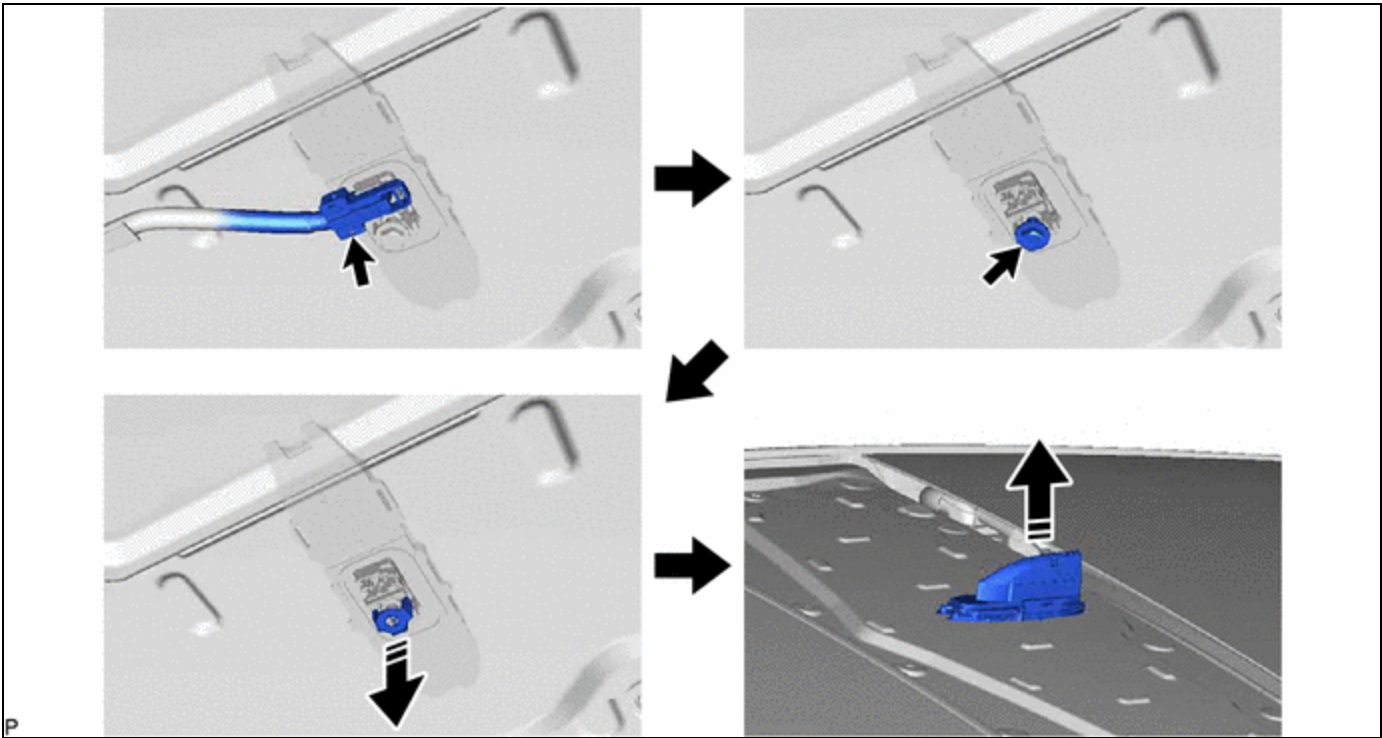



*A	When reusing the telephone antenna assembly	-	-
	Remove in this Direction (1)		Remove in this Direction (2)

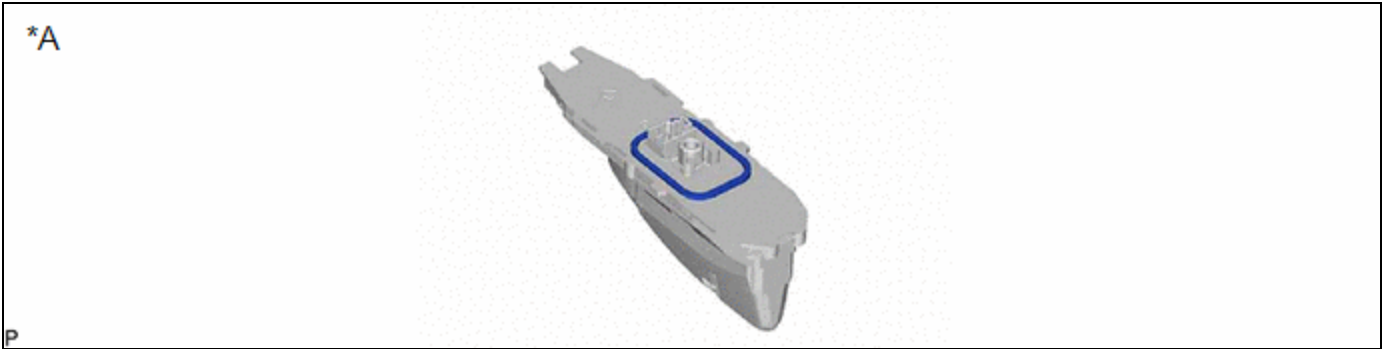
4. REMOVE ROOF TOP MOULDING SUB-ASSEMBLY (for Panoramic Moon Roof)

Click here [INFO](#)

5. REMOVE TELEPHONE AND GPS ANTENNA ASSEMBLY (for Panoramic Moon Roof)



	Remove in this Direction	-	-
-----------------------------------------------------------------------------------	--------------------------	---	---



*A	When reusing the telephone antenna assembly	-	-
----	---------------------------------------------	---	---

