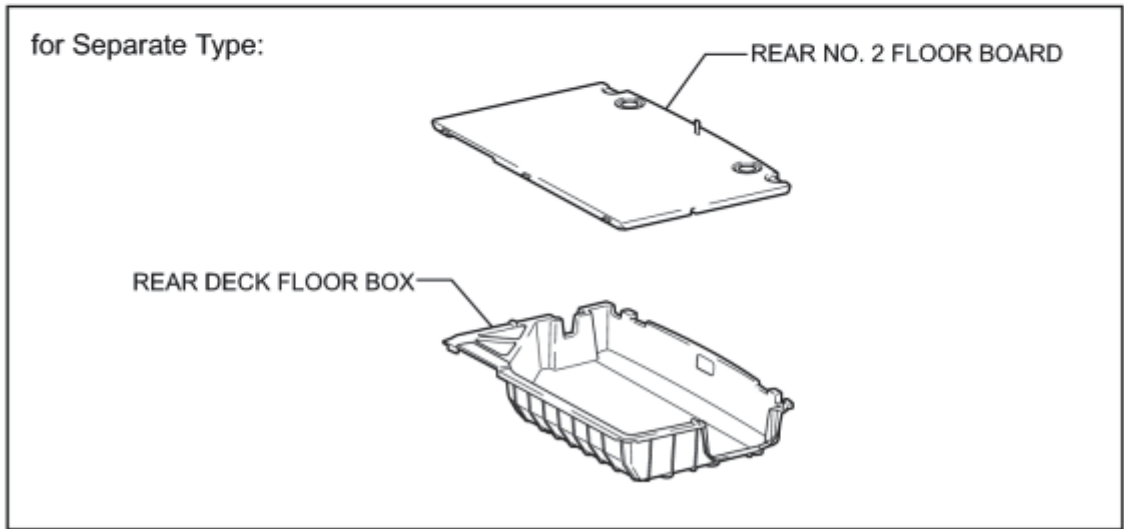
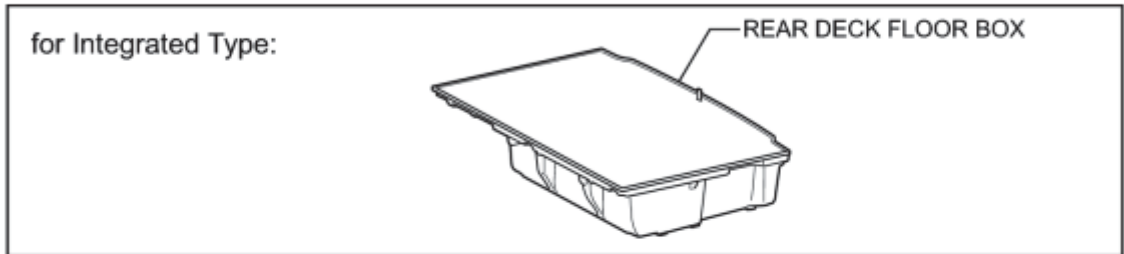


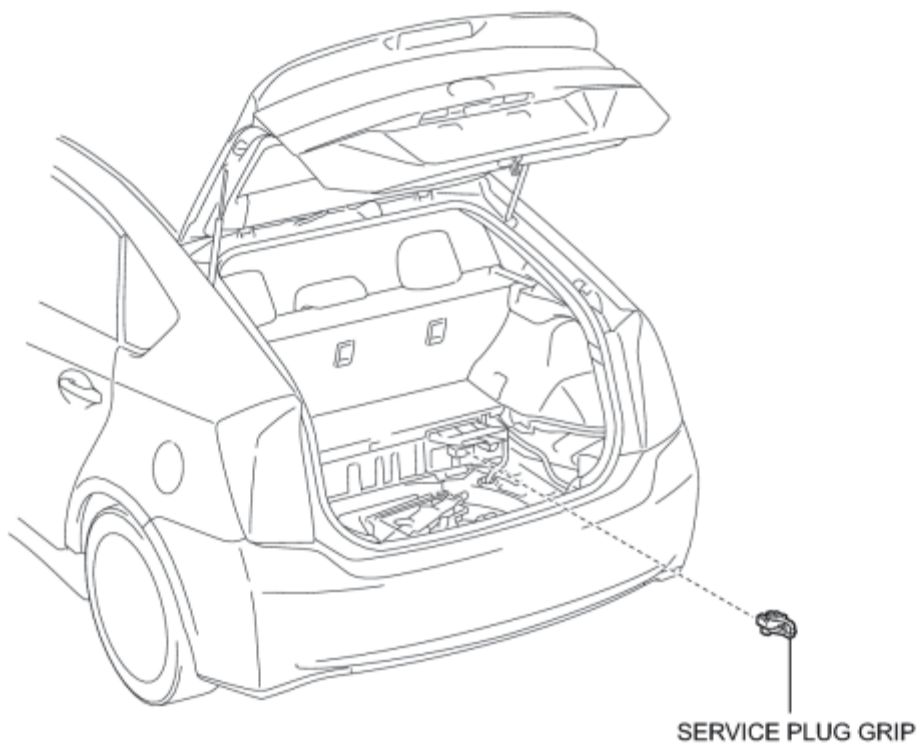
COMPONENTS

ILLUSTRATION



P

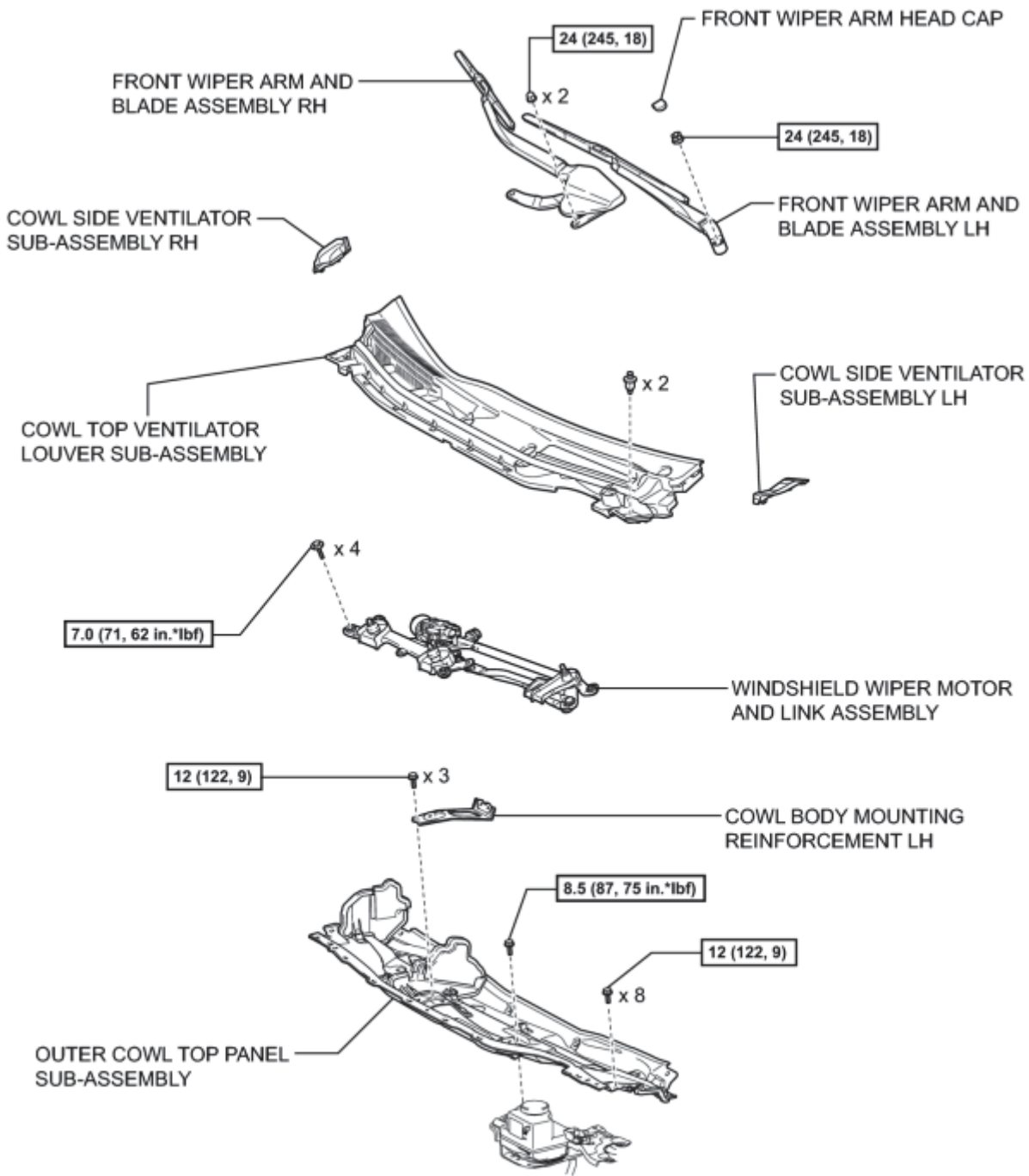
ILLUSTRATION



SERVICE PLUG GRIP

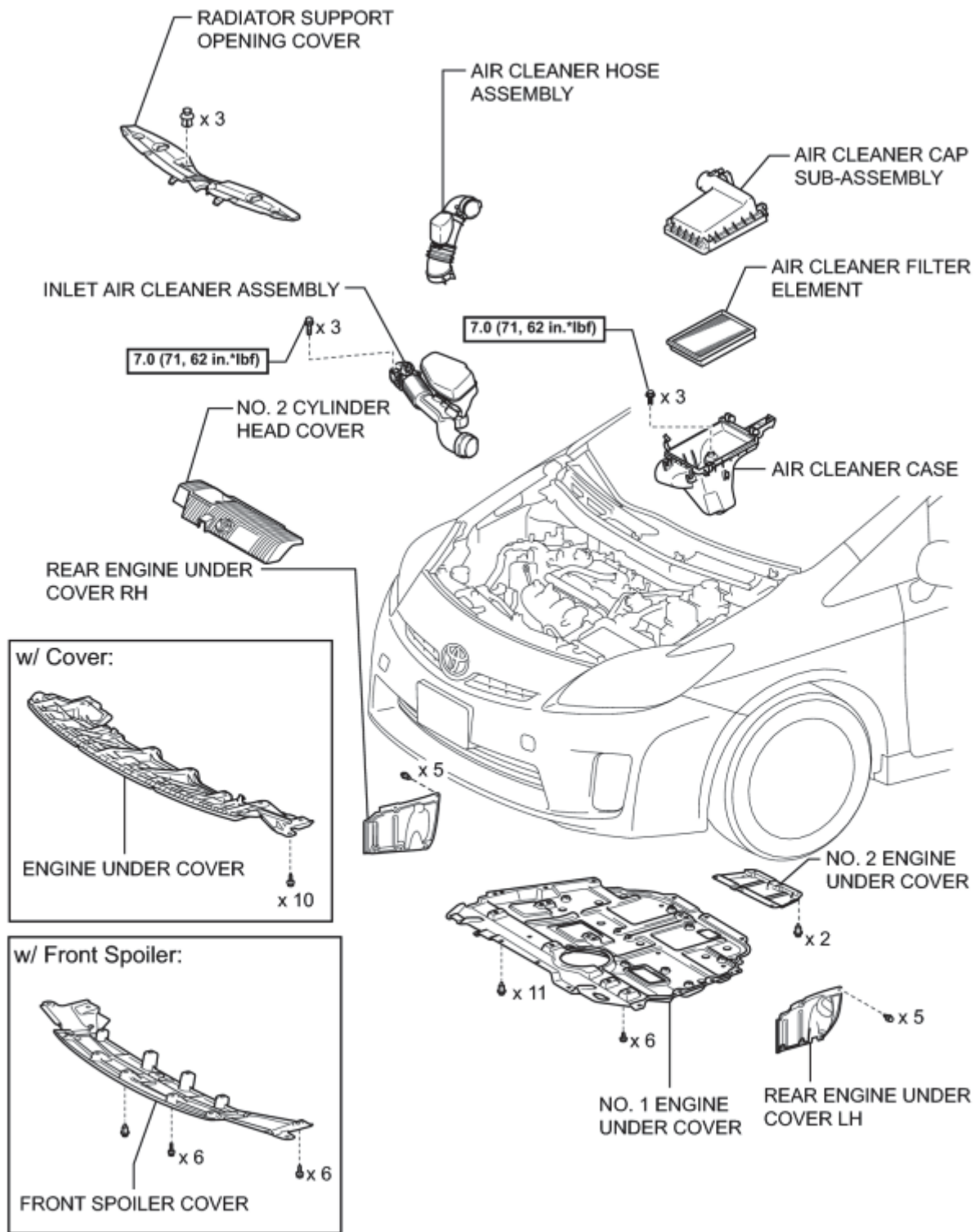
P

ILLUSTRATION



N*m (kgf*cm, ft.*lbf): Specified torque

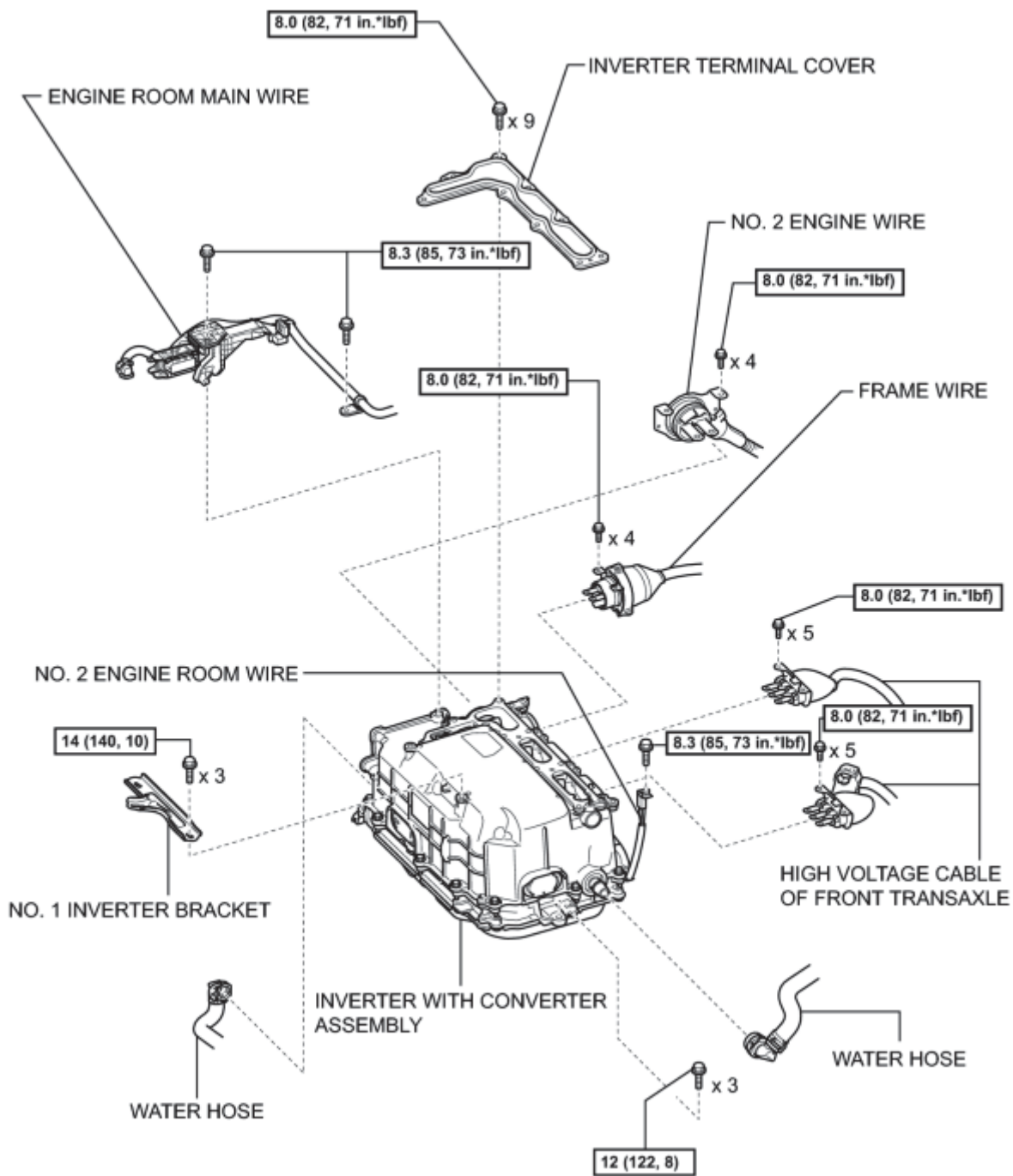
ILLUSTRATION



N*m (kgf*cm, ft.*lbf) : Specified torque

c

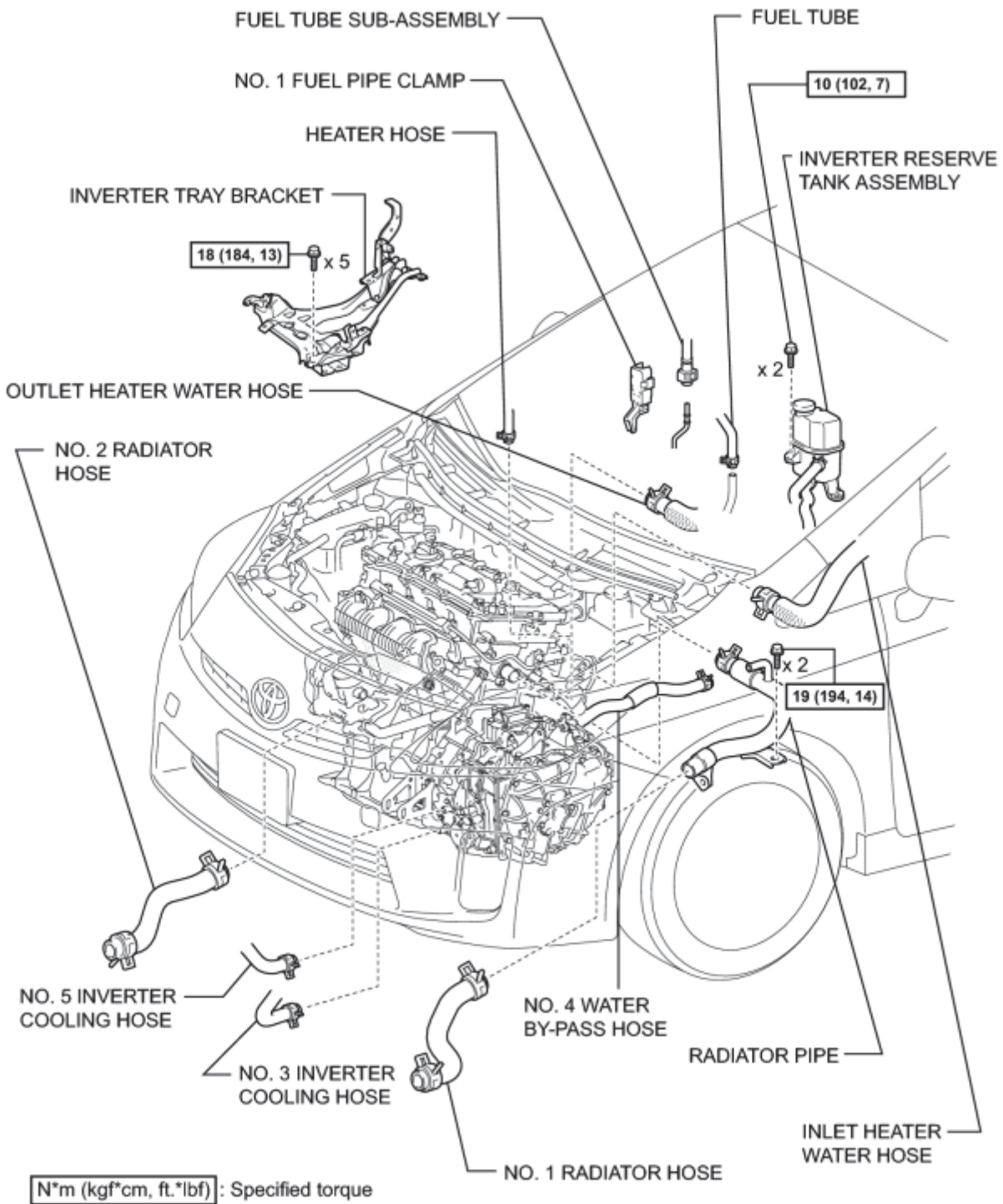
ILLUSTRATION



N*m (kgf*cm, ft.*lbf): Specified torque

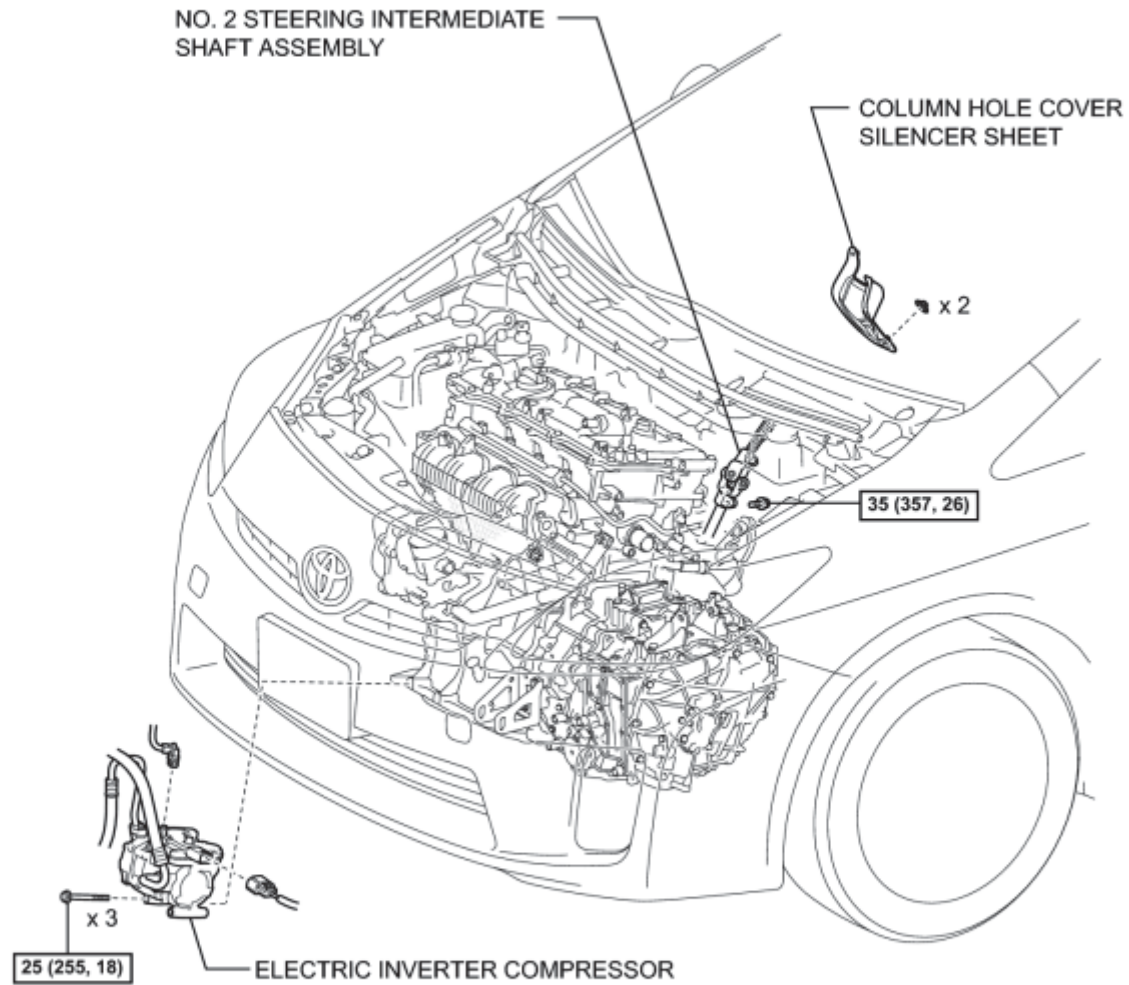
c

ILLUSTRATION



c

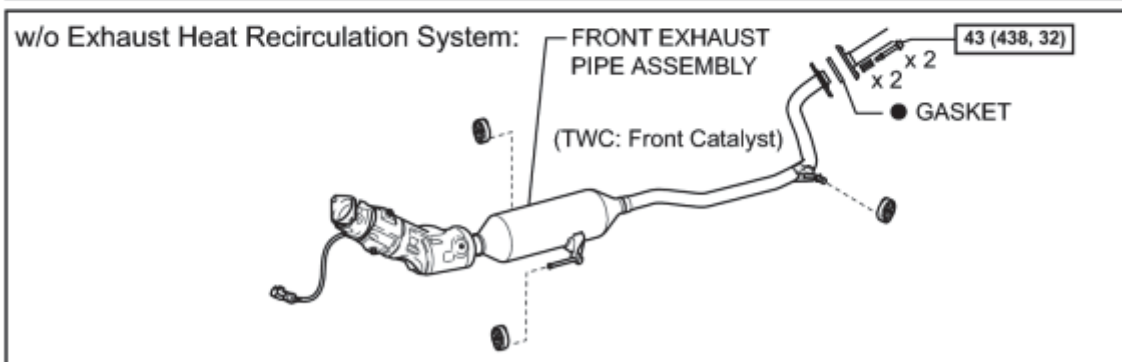
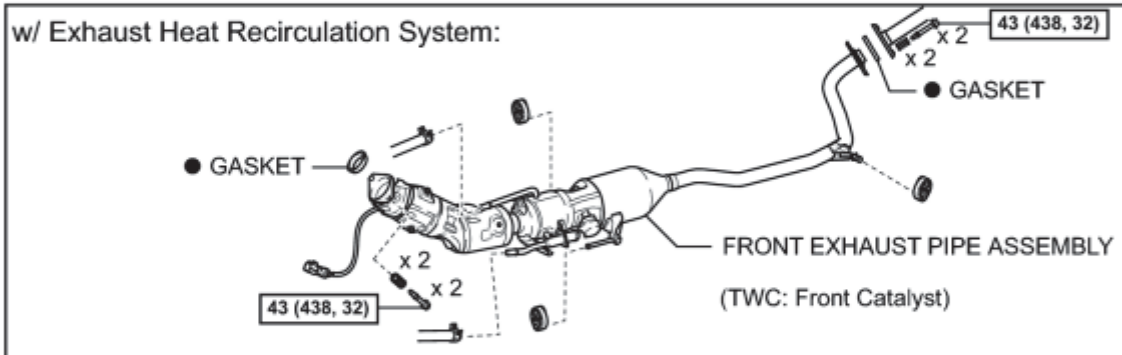
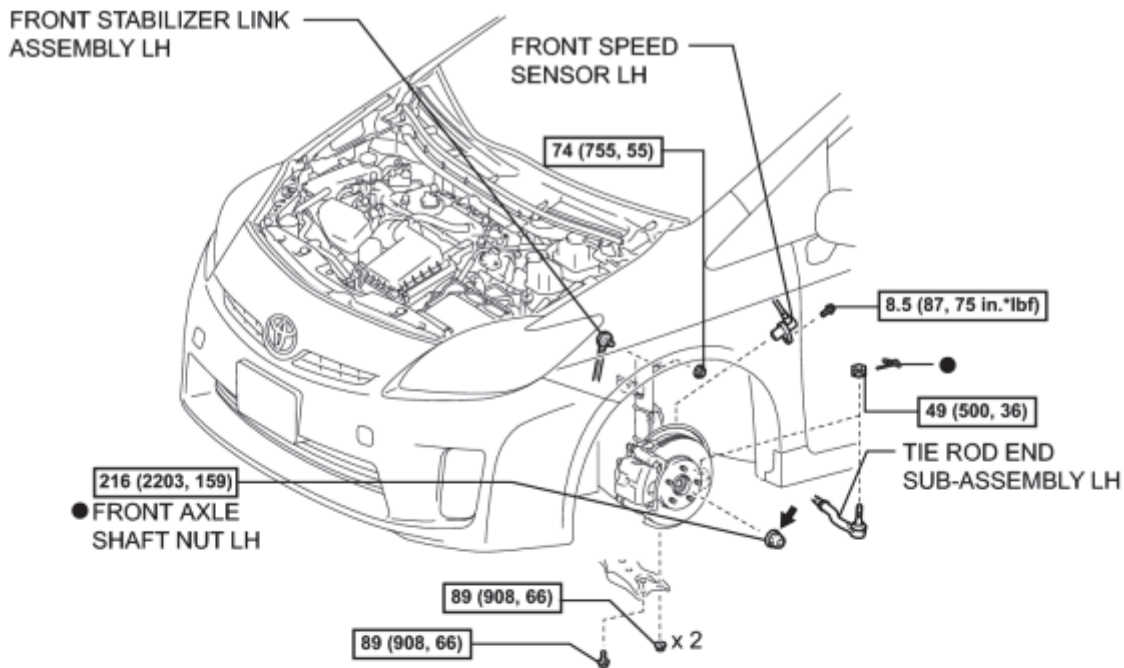
ILLUSTRATION



N*m (kgf*cm, ft.*lbf) : Specified torque

c

ILLUSTRATION



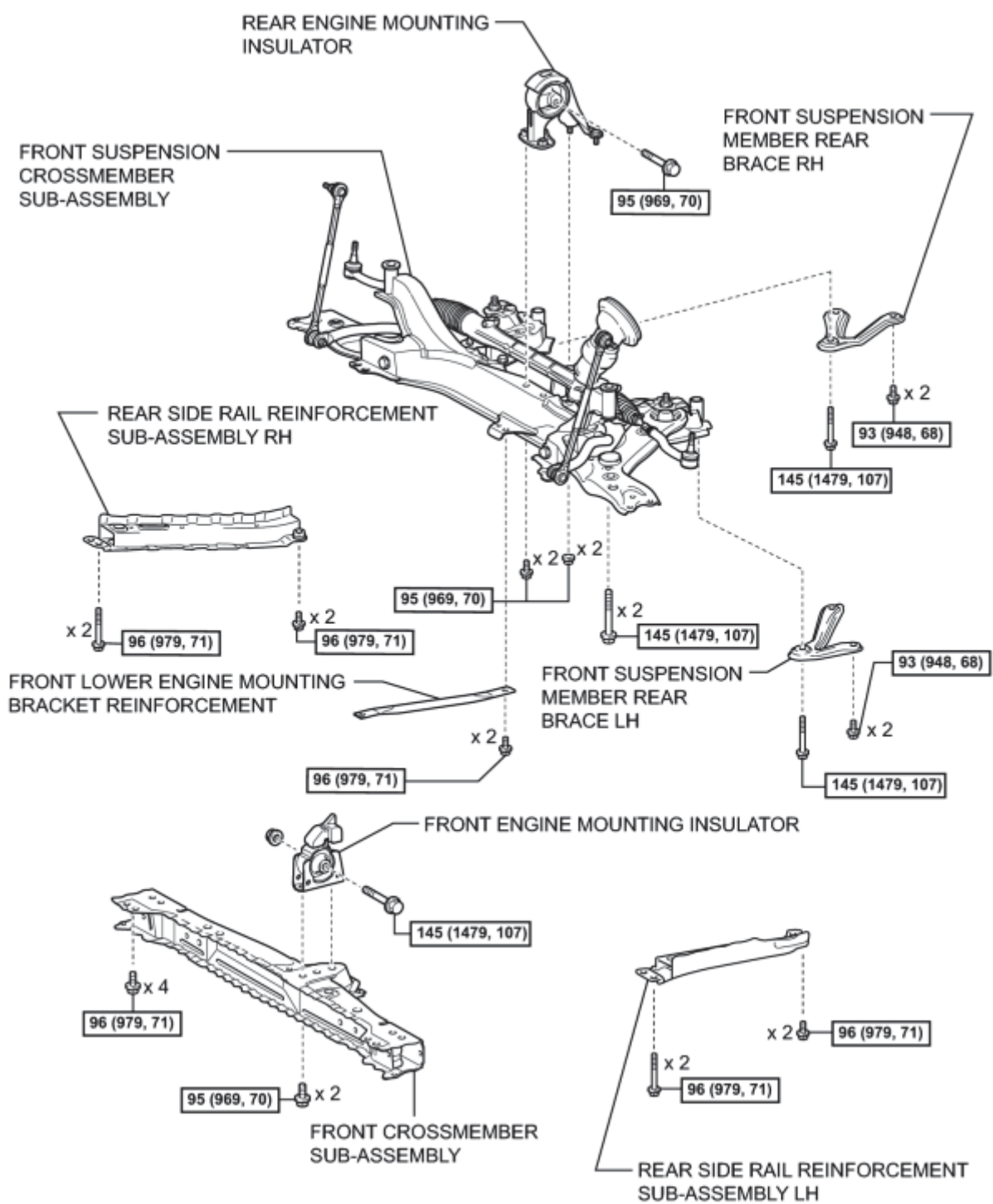
N*m (kgf*cm, ft.*lbf): Specified torque

● Non-reusable part

← Do not apply lubricants to the threaded parts



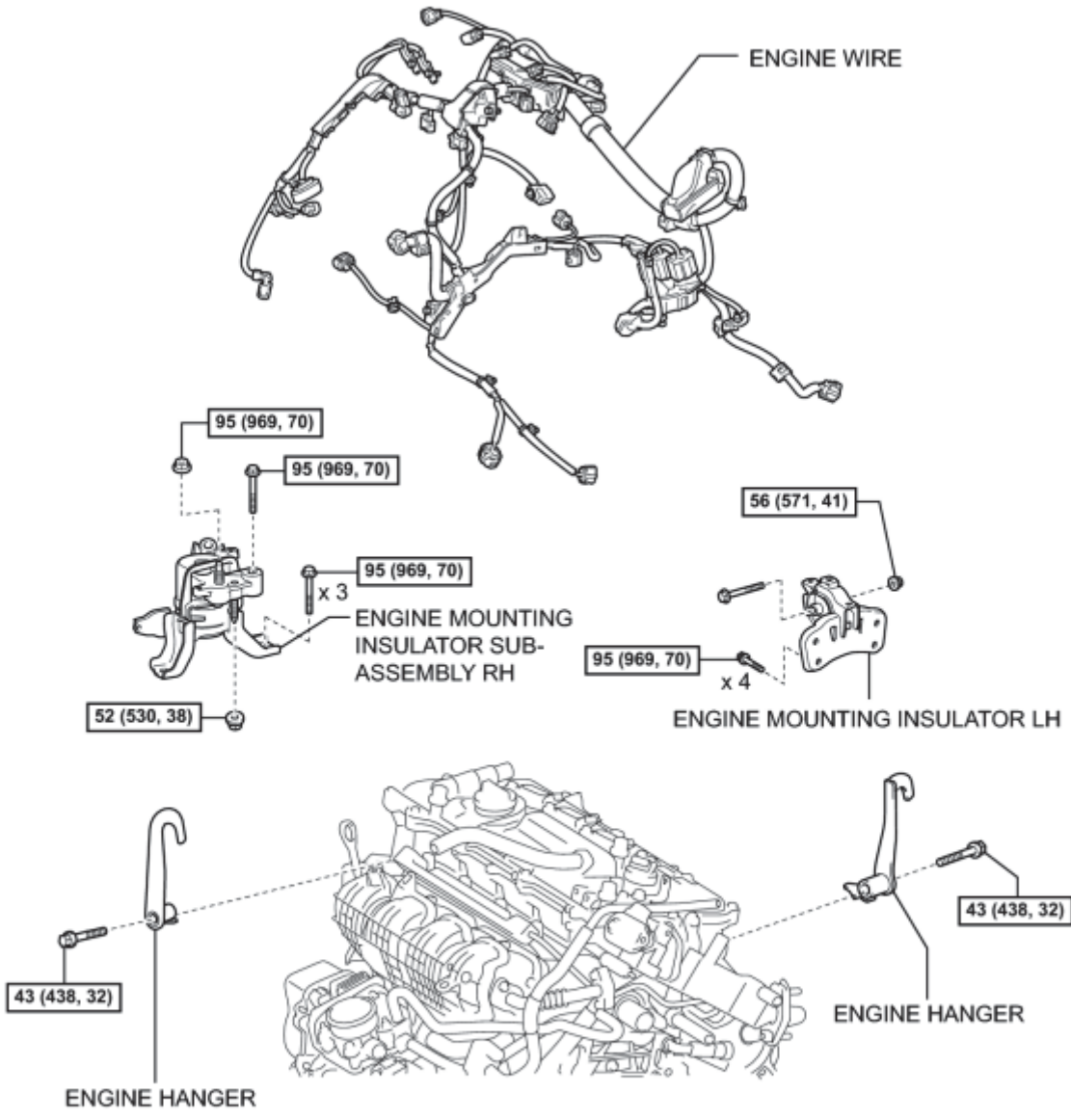
ILLUSTRATION



N*m (kg*cm, ft.*lbf) : Specified torque

c

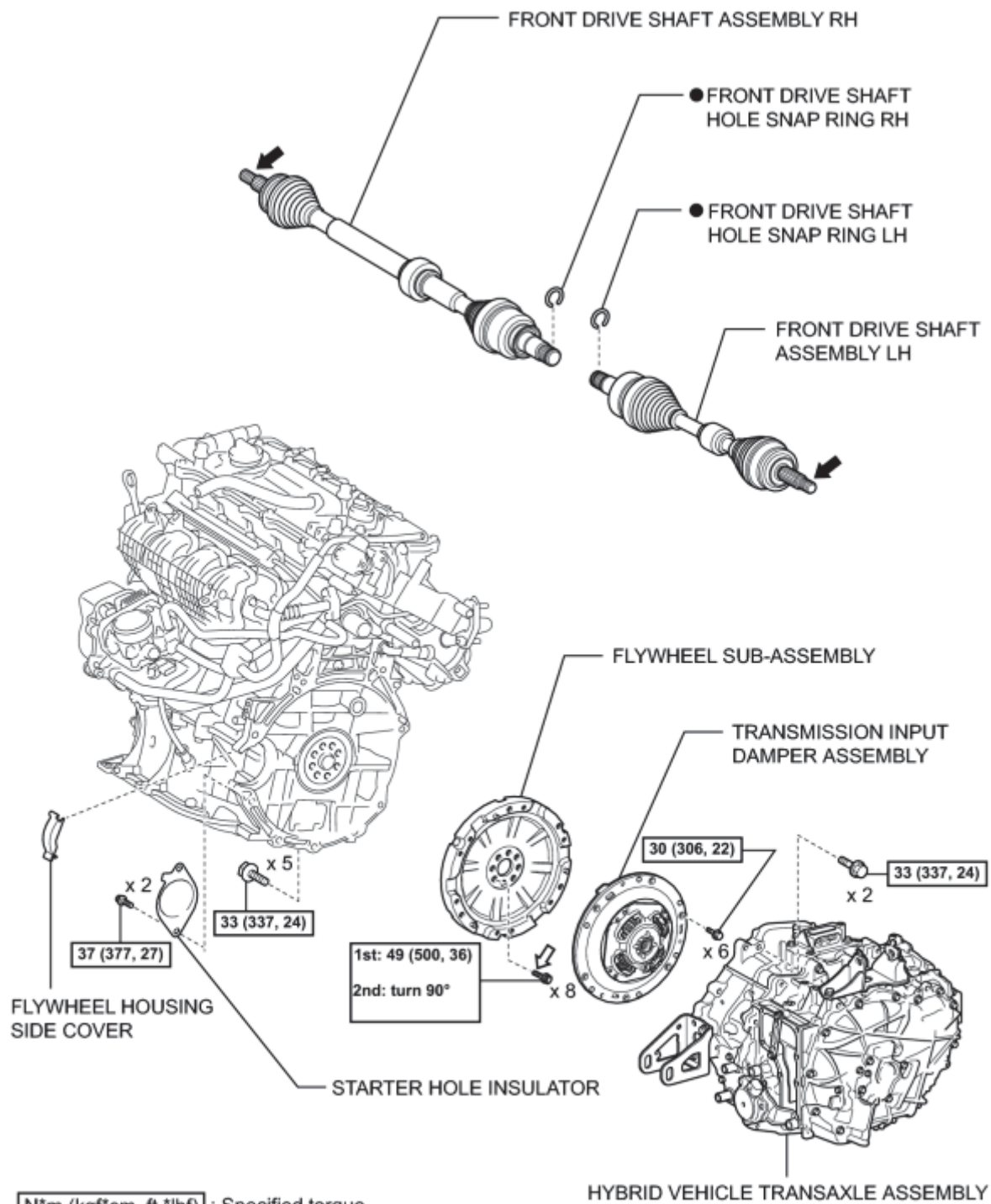
ILLUSTRATION



N*m (kgf*cm, ft.*lbf) : Specified torque

c

ILLUSTRATION



[N*m (kgf*cm, ft.*lbf)] : Specified torque

● Non-reusable part

⬅ Do not apply lubricants to the threaded parts

↶ Adhesive 1324

c

REMOVAL

1. PRECAUTION


HINT: .

2. DISCHARGE FUEL SYSTEM PRESSURE

HINT: .


3. REMOVE REAR NO. 2 FLOOR BOARD (for Separate Type) 

4. REMOVE REAR DECK FLOOR BOX 

5. REMOVE REAR NO. 3 FLOOR BOARD 

6. DISCONNECT CABLE FROM NEGATIVE BATTERY TERMINAL

NOTICE:

When disconnecting the cable, some systems need to be initialized after the cable is reconnected .

7. REMOVE SERVICE PLUG GRIP 

8. ALIGN FRONT WHEELS FACING STRAIGHT AHEAD

9. REMOVE FRONT WHEEL

10. REMOVE REAR ENGINE UNDER COVER LH

11. REMOVE REAR ENGINE UNDER COVER RH

12. REMOVE FRONT SPOILER COVER (w/ Front Spoiler)

13. REMOVE ENGINE UNDER COVER (w/ Cover)

14. REMOVE NO. 1 ENGINE UNDER COVER

15. REMOVE NO. 2 ENGINE UNDER COVER

16. DRAIN ENGINE OIL 

17. DRAIN COOLANT (for Engine) 

18. DRAIN COOLANT (for Inverter) 

19. DRAIN HYBRID TRANSAXLE FLUID 

20. REMOVE FRONT WIPER ARM HEAD CAP_ INFO

21. REMOVE FRONT WIPER ARM AND BLADE ASSEMBLY LH_ INFO

22. REMOVE FRONT WIPER ARM AND BLADE ASSEMBLY RH_ INFO

23. REMOVE COWL SIDE VENTILATOR SUB-ASSEMBLY LH_ INFO

24. REMOVE COWL SIDE VENTILATOR SUB-ASSEMBLY RH_ INFO

25. REMOVE COWL TOP VENTILATOR LOUVER SUB-ASSEMBLY_ INFO

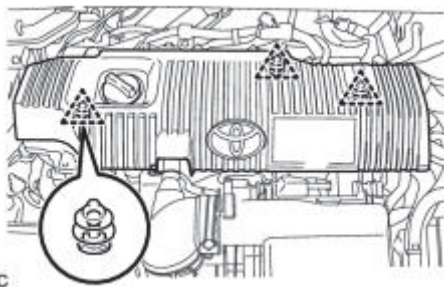
26. REMOVE WINDSHIELD WIPER MOTOR AND LINK ASSEMBLY_ INFO

27. REMOVE COWL BODY MOUNTING REINFORCEMENT LH_ INFO

28. REMOVE OUTER COWL TOP PANEL SUB-ASSEMBLY_ INFO

29. REMOVE NO. 2 CYLINDER HEAD COVER

(a) Remove the 3 clips and No. 2 cylinder head cover.

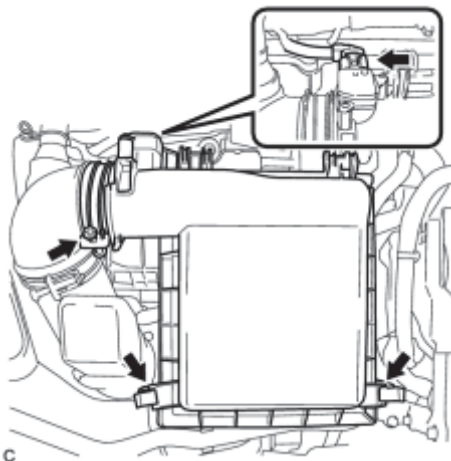


- Attempting to disengage both front and rear clips at the same time may cause the cover to break.
- Pull the cover straight up to remove. Attempting to pull the cover forward may cause it to break.

NOTICE:

Attempting to disengage both front and rear clips at the same time may cause the cover to break.

30. REMOVE AIR CLEANER CAP SUB-ASSEMBLY

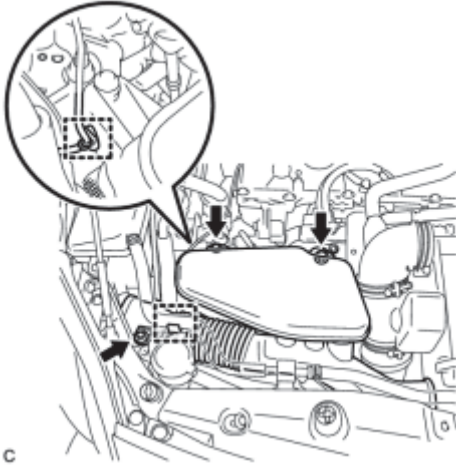


(a) Disconnect the air flow meter connector.

(b) Disconnect the 2 clamps and hose band, and remove the air cleaner cap sub-assembly.

(c) Remove the air cleaner filter element.

31. REMOVE INLET AIR CLEANER ASSEMBLY

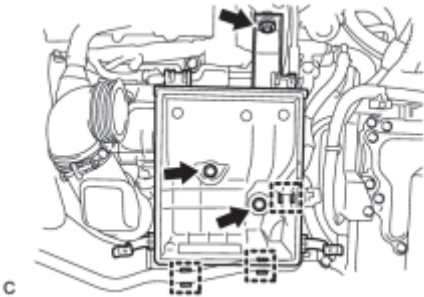


(a) Separate the water by-pass hose from the inlet air cleaner assembly.

(b) Separate the wire harness clamp from the inlet air cleaner assembly.

(c) Remove the 3 bolts and inlet air cleaner assembly.

32. REMOVE AIR CLEANER CASE



(a) Separate the No. 4 water by-pass hose from the air cleaner case.

(b) Remove the 3 bolts and air cleaner case.

33. REMOVE AIR CLEANER HOSE ASSEMBLY_ INFO

34. REMOVE RADIATOR SUPPORT OPENING COVER_ INFO

35. REMOVE NO. 1 INVERTER BRACKET_ INFO

36. DISCONNECT ENGINE ROOM MAIN WIRE_ INFO

37. REMOVE INVERTER TERMINAL COVER_ INFO

38. CHECK TERMINAL VOLTAGE_ INFO

39. DISCONNECT FRAME WIRE_ INFO

40. DISCONNECT HIGH VOLTAGE CABLE OF FRONT TRANSAXLE_ INFO

41. DISCONNECT NO. 2 ENGINE WIRE_ INFO

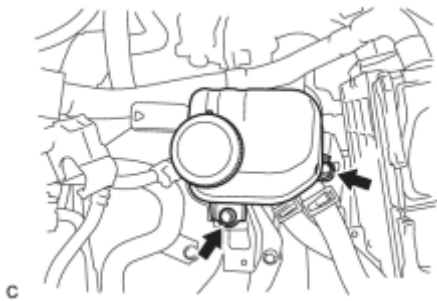
42. INSTALL INVERTER TERMINAL COVER_ INFO

43. DISCONNECT NO. 2 ENGINE ROOM WIRE_ INFO

44. DISCONNECT WATER HOSE_ INFO

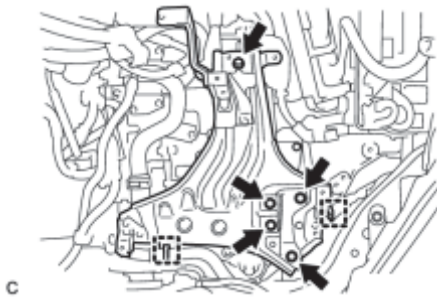
45. REMOVE INVERTER WITH CONVERTER ASSEMBLY_ INFO

46. REMOVE INVERTER RESERVE TANK ASSEMBLY



(a) Remove the 2 bolts and inverter reserve tank assembly.

47. REMOVE INVERTER TRAY BRACKET

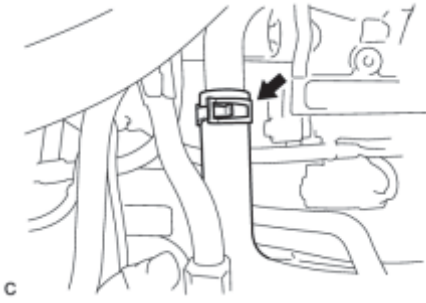


(a) Separate the 2 clamps.

(b) Remove the 5 bolts and inverter tray bracket.

48. DISCONNECT NO. 1 RADIATOR HOSE

(a) Disconnect the No. 1 radiator hose from the radiator pipe assembly.

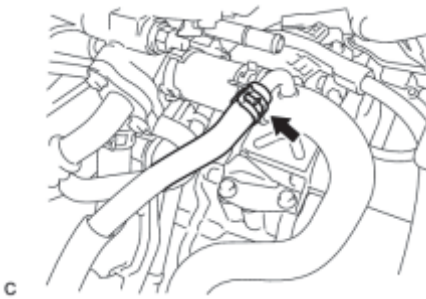


49. DISCONNECT NO. 2 RADIATOR HOSE



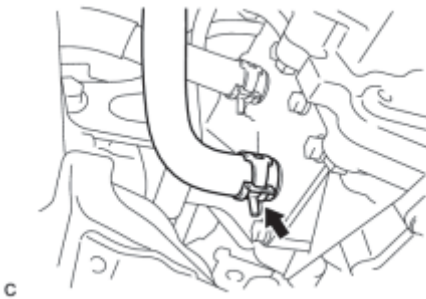
(a) Disconnect the No. 2 radiator hose from the water inlet.

50. DISCONNECT NO. 4 WATER BY-PASS HOSE



(a) Disconnect the No. 4 water by-pass hose from the radiator pipe assembly.

51. DISCONNECT NO. 3 INVERTER COOLING HOSE

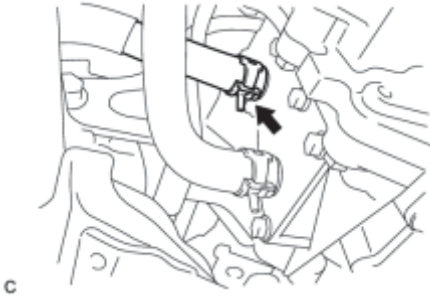


(a) Disconnect the No. 3 inverter cooling hose from the hybrid transaxle assembly.

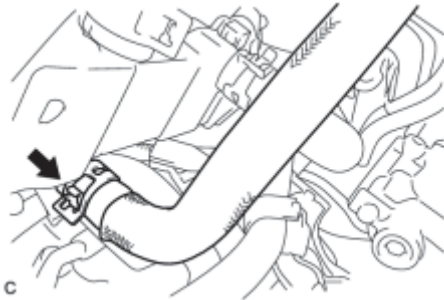
52. DISCONNECT NO. 5 INVERTER COOLING HOSE

(a) Disconnect the No. 5 inverter cooling hose from the hybrid transaxle

assembly.

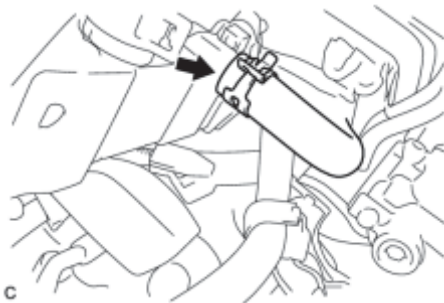


53. DISCONNECT OUTLET HEATER WATER HOSE



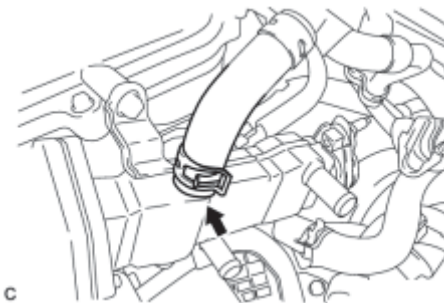
(a) Disconnect the outlet heater water hose.

54. DISCONNECT INLET HEATER WATER HOSE



(a) Disconnect the inlet heater water hose.

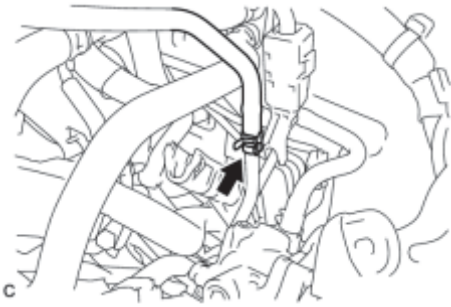
55. DISCONNECT HEATER HOSE



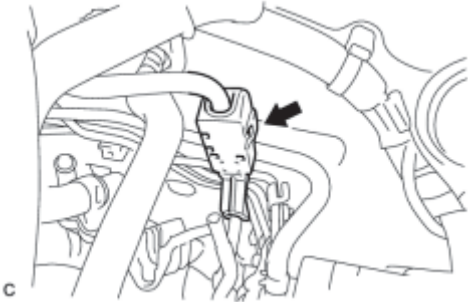
(a) Disconnect the heater hose.

56. DISCONNECT NO. 1 FUEL VAPOR FEED HOSE

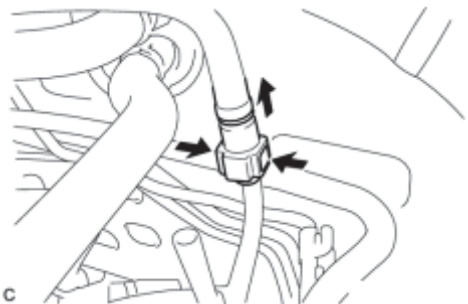
(a) Disconnect the No. 1 fuel vapor feed hose.



57. DISCONNECT FUEL TUBE SUB-ASSEMBLY



(a) Release the claw and remove the No. 1 fuel pipe clamp.

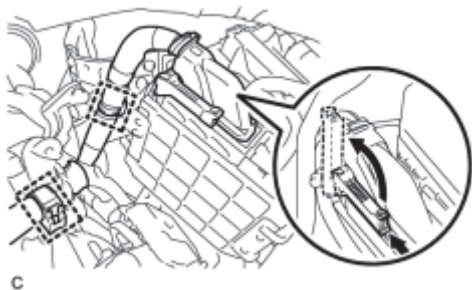


(b) Pinch the retainer as illustrated, then pull the fuel tube connector out of the pipe.

- Remove any dirt and foreign matter from the fuel tube connector before performing this work.
- Do not allow any scratches or foreign matter on the parts when disconnecting, as the fuel tube connector has the O-rings that seal the pipe.
- Perform this work by hand. Do not use any tools.
- Do not forcibly bend, kink or twist the nylon tube.
- Protect the disconnected parts by covering them with plastic bags after disconnecting the fuel tube.
- If the fuel tube connector and pipe are stuck, push and pull to release them.

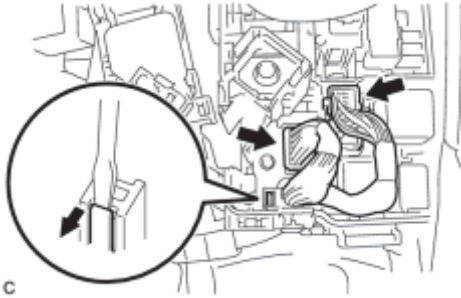
58. SEPARATE ELECTRIC INVERTER COMPRESSOR INFO

59. DISCONNECT WIRE HARNESS

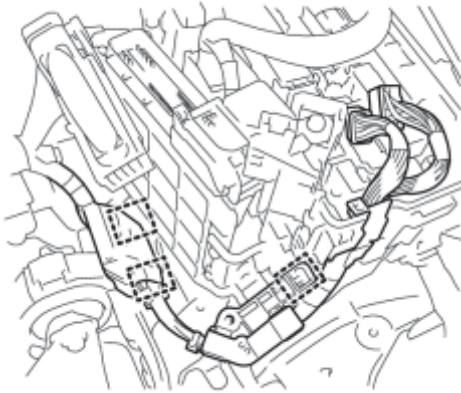


(a) Disconnect the 2 clamps.

(b) Pull up the lever and disconnect the connector of the ECM.



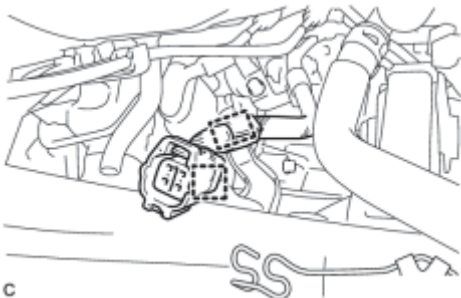
(c) Remove the 2 connectors and clamp from the engine room junction block and disconnect the wire harness.



(d) Disconnect the 3 clamps.



(e) Remove the bolt and disconnect the earth wire.



(f) Disconnect the 2 clamps and wire harness.

60. SECURE STEERING WHEEL_ [INFO](#)

61. REMOVE COLUMN HOLE COVER SILENCER SHEET_ [INFO](#)

62. SEPARATE NO. 2 STEERING INTERMEDIATE SHAFT ASSEMBLY_ INFO

63. SEPARATE NO. 1 STEERING COLUMN HOLE COVER SUB-ASSEMBLY_ INFO

64. REMOVE TAIL EXHAUST PIPE ASSEMBLY_ INFO

65. REMOVE FRONT NO. 3 ENGINE UNDER COVER_ INFO

66. REMOVE FRONT CENTER FLOOR BRACE_ INFO

67. REMOVE FRONT EXHAUST PIPE ASSEMBLY (w/ Exhaust Heat Recirculation System)_ INFO

68. REMOVE FRONT EXHAUST PIPE ASSEMBLY (w/o Exhaust Heat Recirculation System)_ INFO

69. REMOVE FRONT AXLE SHAFT NUT LH_ INFO

70. REMOVE FRONT AXLE SHAFT NUT RH

HINT:

Perform the same procedure as for the LH side.

71. SEPARATE FRONT SPEED SENSOR LH_ INFO

72. SEPARATE FRONT SPEED SENSOR RH

HINT:

Perform the same procedure as for the LH side.

73. SEPARATE TIE ROD END SUB-ASSEMBLY LH_ INFO

74. SEPARATE TIE ROD END SUB-ASSEMBLY RH

HINT:

Perform the same procedure as for the LH side.

75. SEPARATE FRONT STABILIZER LINK ASSEMBLY LH_ INFO

76. SEPARATE FRONT STABILIZER LINK ASSEMBLY RH

HINT:

Perform the same procedure as for the LH side.

77. SEPARATE FRONT NO. 1 LOWER SUSPENSION ARM SUB-ASSEMBLY LH_ INFO

78. SEPARATE FRONT NO. 1 LOWER SUSPENSION ARM SUB-ASSEMBLY RH

HINT:

Perform the same procedure as for the LH side.

79. SEPARATE FRONT DRIVE SHAFT ASSEMBLY LH_ 

80. REMOVE FRONT DRIVE SHAFT ASSEMBLY LH_ 

81. SEPARATE FRONT DRIVE SHAFT ASSEMBLY RH

HINT:

Perform the same procedure as for the LH side.

82. REMOVE FRONT DRIVE SHAFT ASSEMBLY RH

HINT:

Perform the same procedure as for the LH side.

83. REMOVE FRONT DRIVE SHAFT HOLE SNAP RING LH_ 

84. REMOVE FRONT DRIVE SHAFT HOLE SNAP RING RH

HINT:

Perform the same procedure as for the LH side.

85. REMOVE FRONT LOWER ENGINE MOUNTING BRACKET REINFORCEMENT_ 

86. REMOVE REAR SIDE RAIL REINFORCEMENT SUB-ASSEMBLY LH_ 

87. REMOVE REAR SIDE RAIL REINFORCEMENT SUB-ASSEMBLY RH_ 

88. REMOVE FRONT SUSPENSION MEMBER REAR BRACE LH_ 

89. REMOVE FRONT SUSPENSION MEMBER REAR BRACE RH

HINT:

Perform the same procedure as for the LH side.

90. REMOVE FRONT SUSPENSION CROSSMEMBER SUB-ASSEMBLY_ 

91. REMOVE ENGINE ASSEMBLY WITH TRANSAXLE

(a) Set the engine lifter.

NOTICE:

Place the engine on wooden blocks or equivalent so that the engine is level.



c



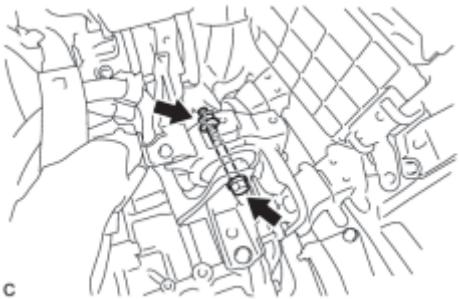
(b) Remove the 4 bolts and front crossmember sub-assembly.

c



(c) Remove the bolt and 2 nuts, and separate the engine mounting insulator RH.

c



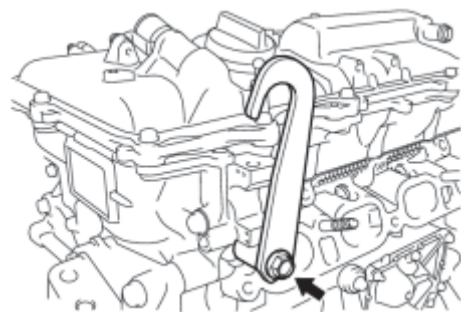
(d) Remove the bolt and nut, and separate the engine mounting insulator LH.

(e) Carefully remove the engine with transaxle from the vehicle.

(f) Install the 2 engine hangers with the 2 bolts.

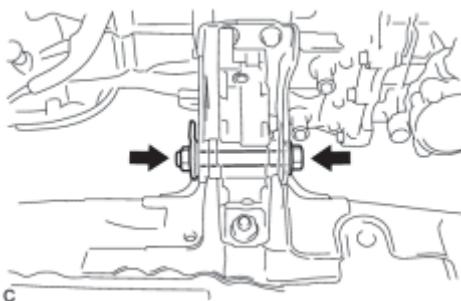
Torque: 43 N·m (438 kgf·cm, 32ft·lbf)

Part Name	Part No.
No. 1 engine hanger	12281-37021
No. 2 engine hanger	12282-37011
Bolt	91552-81050



(g) Attach the sling device to the engine hangers and chain block.

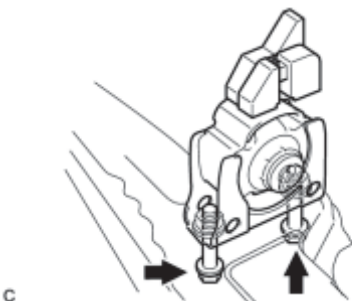
92. REMOVE FRONT CROSSMEMBER SUB-ASSEMBLY



(a) Remove the bolt and nut.

(b) Remove the front engine mounting insulator from the front engine mounting bracket.

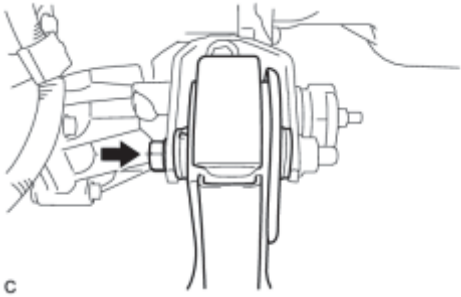
93. REMOVE FRONT ENGINE MOUNTING INSULATOR



(a) Remove the 2 bolts and front engine mounting insulator.

94. REMOVE REAR ENGINE MOUNTING INSULATOR

(a) Remove the through bolt, and separate the rear engine mounting



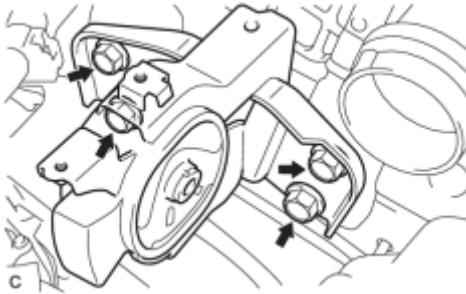
insulator.

HINT:

Perform this procedure only when replacement of the engine mounting insulator is necessary.

c

95. REMOVE ENGINE MOUNTING INSULATOR LH



(a) Remove the 4 bolts and engine mounting insulator LH.

HINT:

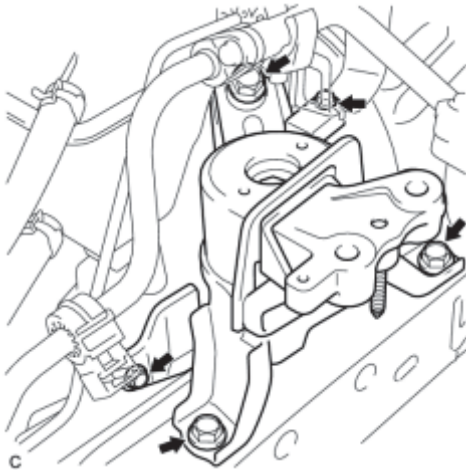
Perform this procedure only when replacement of the engine mounting insulator is necessary.

c

96. REMOVE ENGINE MOUNTING INSULATOR SUB-ASSEMBLY RH

HINT:

Perform this procedure only when replacement of the engine mounting insulator is necessary.

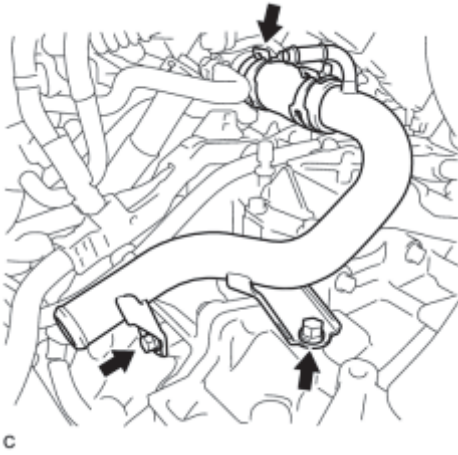


(a) Remove the 3 bolts and 2 cooler brackets.

(b) Remove the 3 bolts and engine mounting insulator sub-assembly RH.

97. REMOVE RADIATOR PIPE

(a) Separate the No. 3 radiator hose from the cylinder head.



(b) Remove the 2 bolts and radiator pipe.

98. REMOVE FLYWHEEL HOUSING SIDE COVER_ INFO

99. REMOVE STARTER HOLE INSULATOR_ INFO

100. REMOVE ENGINE WIRE

101. REMOVE HYBRID VEHICLE TRANSAXLE ASSEMBLY

(a) Remove the hybrid vehicle transaxle assembly INFO.

NOTICE:

Be careful not to apply excess force to the transmission input damper assembly when removing or installing the hybrid vehicle transaxle assembly. If excess force is applied, the transmission input damper assembly may be damaged, or its splines may become misaligned.

102. REMOVE TRANSMISSION INPUT DAMPER ASSEMBLY

(a) Gently place the engine assembly onto wood blocks or equivalent.

NOTICE:

This step should be done while hanging the engine assembly using the engine hangers and a chain block.

(b) Remove the transmission input damper assembly INFO.

103. REMOVE FLYWHEEL SUB-ASSEMBLY

(a) Gently place the engine assembly onto wood blocks or equivalent.

NOTICE:

This step should be done while hanging the engine assembly using the engine hangers and a chain block.

(b) Remove the flywheel sub-assembly .

INSTALLATION

1. INSTALL FLYWHEEL SUB-ASSEMBLY

(a) Gently place the engine assembly onto wood blocks or equivalent.

NOTICE:

This step should be done while hanging the engine assembly using the engine hangers and a chain block.


(b) Install the flywheel sub-assembly .

2. INSTALL TRANSMISSION INPUT DAMPER ASSEMBLY

(a) Gently place the engine assembly onto wood blocks or equivalent.

NOTICE:

This step should be done while hanging the engine assembly using the engine hangers and a chain block.

(b) Install the transmission input damper assembly .

3. INSTALL HYBRID VEHICLE TRANSAXLE ASSEMBLY

(a) Install the hybrid vehicle transaxle assembly .

NOTICE:

Be careful not to apply excess force to the transmission input damper assembly when removing or installing the hybrid vehicle transaxle assembly. If excess force is applied, the transmission input damper assembly may be damaged, or its splines may become misaligned.

4. INSTALL ENGINE WIRE

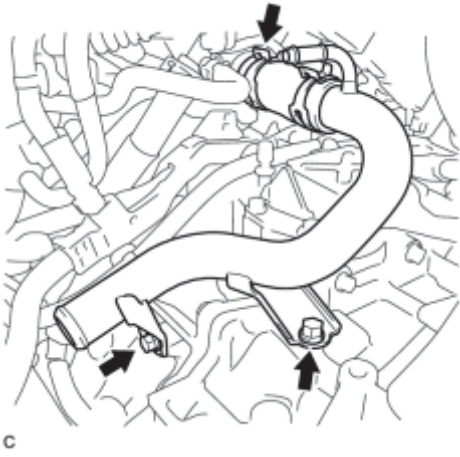
5. INSTALL STARTER HOLE INSULATOR_

6. INSTALL FLYWHEEL HOUSING SIDE COVER_

7. INSTALL RADIATOR PIPE

(a) Install the radiator pipe with the 2 bolts.

Torque: **19 N·m (194 kgf·cm, 14ft·lbf)**

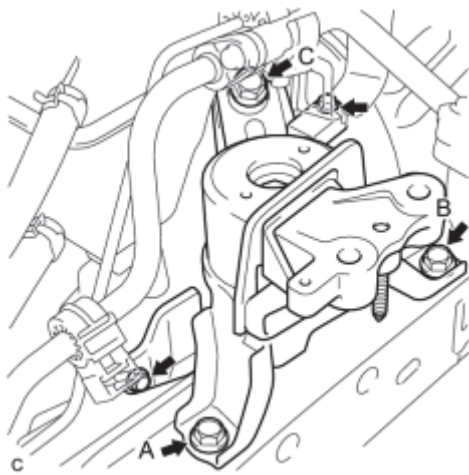


(b) Install the No. 3 radiator hose with the clamp.

8. INSTALL ENGINE MOUNTING INSULATOR SUB-ASSEMBLY RH

HINT:

Perform this procedure only when replacement of the engine mounting insulator is necessary.



(a) Position the engine mounting insulator sub-assembly RH as shown in the illustration.

(b) Temporarily install bolt A to the engine mounting insulator sub-assembly RH.

(c) Tighten the 3 bolts to the engine mounting insulator sub-assembly RH in the order the bolt B, bolt C and bolt A.

Torque: **95 N·m (969 kgf·cm, 70ft·lbf)**

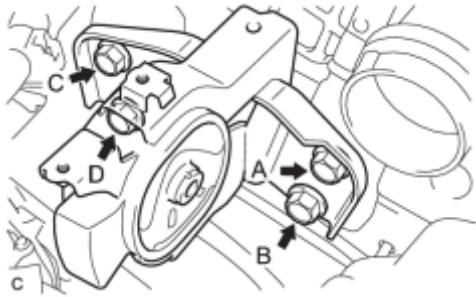
(d) Install the 2 cooler brackets with the 2 bolts.

Torque: **9.8 N·m (100 kgf·cm, 87in·lbf)**

9. INSTALL ENGINE MOUNTING INSULATOR LH

HINT:

Perform this procedure only when replacement of the engine mounting insulator is necessary.

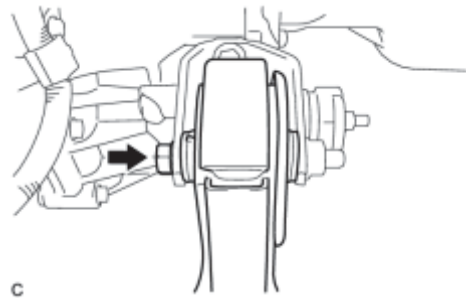


(a) Temporarily install bolt A to the engine mounting insulator LH.

(b) Tighten the 4 bolts to the engine mounting insulator LH in the order the bolt C, bolt B, bolt D and bolt A.

Torque: **95 N·m (969 kgf·cm, 70ft·lbf)**

10. INSTALL REAR ENGINE MOUNTING INSULATOR



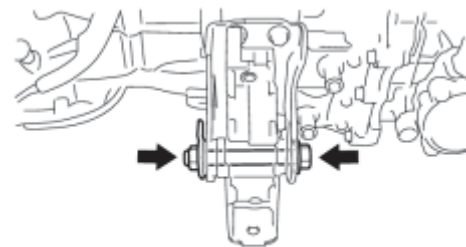
(a) Install the rear engine mounting insulator to the engine mounting bracket with the through bolt.

Torque: **95 N·m (969 kgf·cm, 70ft·lbf)**

HINT:

Perform this procedure only when replacement of the engine mounting insulator is necessary.

11. INSTALL FRONT ENGINE MOUNTING INSULATOR



(a) Temporarily install the front engine mounting insulator with the bolt and nut.

12. INSTALL ENGINE ASSEMBLY WITH TRANSAXLE

(a) Set the engine assembly with transaxle on the engine lifter.

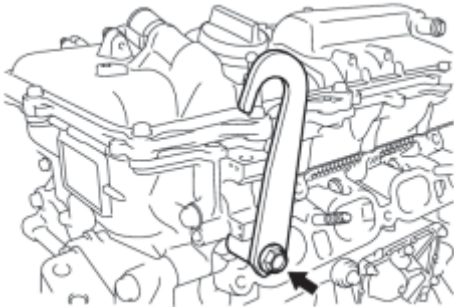
NOTICE:

- Install a height adjustment attachment and plate lift attachment onto the engine assembly with transaxle.

- Do not position a height adjustment attachment or plate lift attachment onto the front frame assembly.

HINT:

Place the engine on wooden blocks or equivalents so that the engine is level.



(b) Remove the 2 bolts and 2 engine hangers.



c



c

(c) Set the engine assembly with transaxle and front suspension crossmember on the engine lifter.

(d) Operate the engine lifter and lift the engine assembly with transaxle and front suspension crossmember to the position where the engine mounting insulators RH and LH can be installed.

CAUTION:

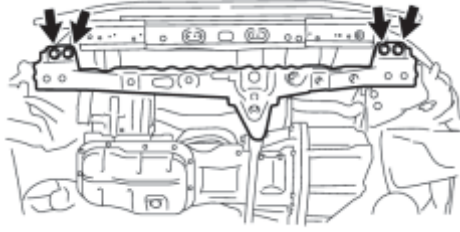
Do not raise the engine more than necessary. If the engine is raised excessively, the vehicle may also be lifted up.

NOTICE:

- Make sure that the engine is clear of all wiring and hoses.
- While raising the engine into the vehicle, do not allow it to contact the vehicle.

(e) Install the front crossmember with the 4 bolts.

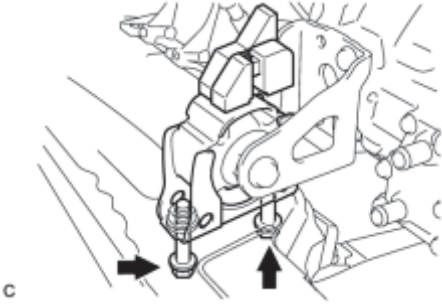
Torque: **96 N·m (979 kgf·cm, 71ft·lbf)**



c

(f) Install the front engine mounting insulator to the front crossmember with the 2 bolts.

Torque: **95 N·m (969 kgf·cm, 70ft·lbf)**



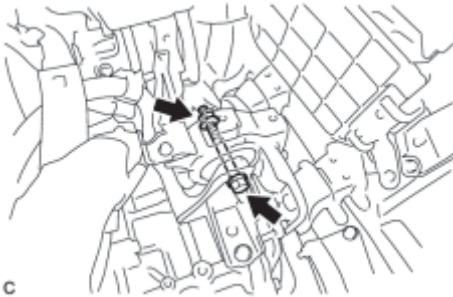
c

(g) Install the engine mounting insulator LH with the through bolt and nut.

Torque: **56 N·m (571 kgf·cm, 41ft·lbf)**

NOTICE:

When installing the engine mounting insulator, tighten the nut while holding the bolt.



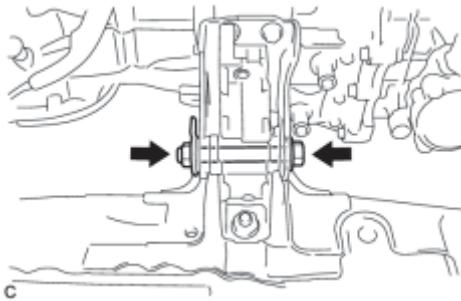
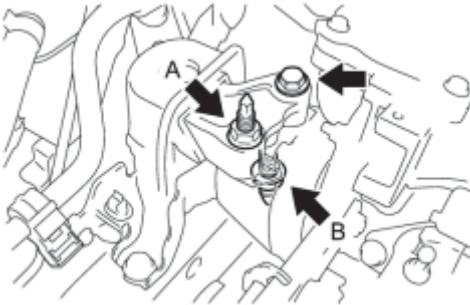
c

(h) Install the engine mounting insulator RH with the bolt and 2 nuts.

Nut A - Torque: **95 N·m (969 kgf·cm, 70ft·lbf)**

Nut B - Torque: **52 N·m (530 kgf·cm, 38ft·lbf)**

Bolt - Torque: **95 N·m (969 kgf·cm, 70ft·lbf)**



c

(i) Tighten the front engine mounting insulator with the bolt and nut.

Torque: **145 N·m (1479 kgf·cm, 107ft·lbf)**

13. INSTALL FRONT SUSPENSION CROSSMEMBER SUB-ASSEMBLY INFC

14. INSTALL FRONT SUSPENSION MEMBER REAR BRACE LH INFC

15. INSTALL FRONT SUSPENSION MEMBER REAR BRACE RH

HINT:

Perform the same procedure as for the LH side.

16. INSTALL REAR SIDE RAIL REINFORCEMENT SUB-ASSEMBLY LH_ INFO

17. INSTALL REAR SIDE RAIL REINFORCEMENT SUB-ASSEMBLY RH_ INFO

18. INSTALL FRONT LOWER ENGINE MOUNTING BRACKET REINFORCEMENT_ INFO

19. INSTALL FRONT DRIVE SHAFT HOLE SNAP RING LH_ INFO

20. INSTALL FRONT DRIVE SHAFT HOLE SNAP RING RH

HINT:

Perform the same procedure as for the LH side.

21. INSTALL FRONT DRIVE SHAFT ASSEMBLY LH_ INFO

22. INSTALL FRONT DRIVE SHAFT ASSEMBLY RH

HINT:

Perform the same procedure as for the LH side.

23. INSTALL FRONT NO. 1 LOWER SUSPENSION ARM SUB-ASSEMBLY LH_ INFO

24. INSTALL FRONT NO. 1 LOWER SUSPENSION ARM SUB-ASSEMBLY RH

HINT:

Perform the same procedure as for the LH side.

25. INSTALL FRONT STABILIZER LINK ASSEMBLY LH_ INFO

26. INSTALL FRONT STABILIZER LINK ASSEMBLY RH

HINT:

Perform the same procedure as for the LH side.

27. CONNECT TIE ROD END SUB-ASSEMBLY LH_ INFO

28. CONNECT TIE ROD END SUB-ASSEMBLY RH

HINT:

Perform the same procedure as for the LH side.

29. INSTALL FRONT SPEED SENSOR LH_ [INFO](#)

30. INSTALL FRONT SPEED SENSOR RH

HINT:

Perform the same procedure as for the LH side.

31. INSTALL FRONT AXLE SHAFT NUT LH_ [INFO](#)

32. INSTALL FRONT AXLE SHAFT NUT RH

HINT:

Perform the same procedure as for the LH side.

33. INSTALL FRONT EXHAUST PIPE ASSEMBLY (w/ Exhaust Heat Recirculation System)_ [INFO](#)

34. INSTALL FRONT EXHAUST PIPE ASSEMBLY (w/o Exhaust Heat Recirculation System)_ [INFO](#)

35. INSTALL FRONT CENTER FLOOR BRACE_ [INFO](#)

36. INSTALL FRONT NO. 3 ENGINE UNDER COVER_ [INFO](#)

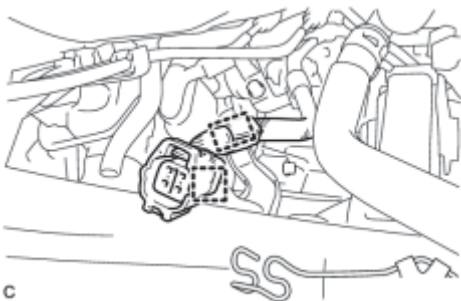
37. INSTALL TAIL EXHAUST PIPE ASSEMBLY_ [INFO](#)

38. INSTALL NO. 1 STEERING COLUMN HOLE COVER SUB-ASSEMBLY_ [INFO](#)

39. CONNECT NO. 2 STEERING INTERMEDIATE SHAFT ASSEMBLY_ [INFO](#)

40. INSTALL COLUMN HOLE COVER SILENCER SHEET_ [INFO](#)

41. INSTALL WIRE HARNESS

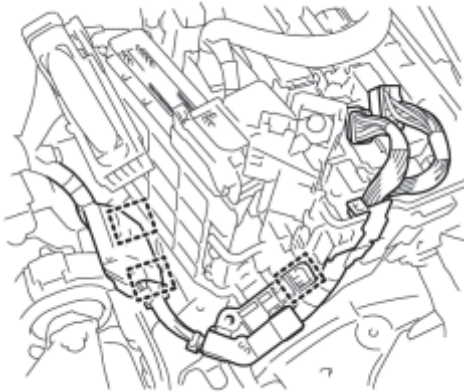


(a) Connect the wire harness with the 2 clamps.

(b) Install the wire harness with the bolt.



c



c

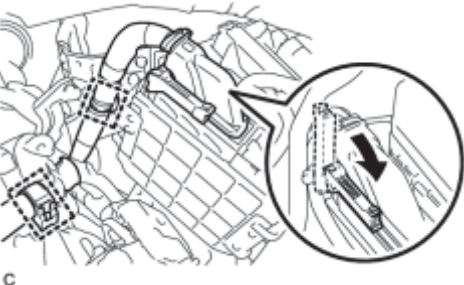
(c) Connect the wire harness with the 3 clamps.



c

(d) Connect the wire harness to the engine room junction block.

(e) Connect the 2 connectors to the engine room junction block.



c

(f) Connect the connector to the ECM with the 2 clamps and lock lever.

42. INSTALL ELECTRIC INVERTER COMPRESSOR INFO

43. CONNECT FUEL TUBE SUB-ASSEMBLY

(a) Connect the fuel tube connector and fuel pipe.

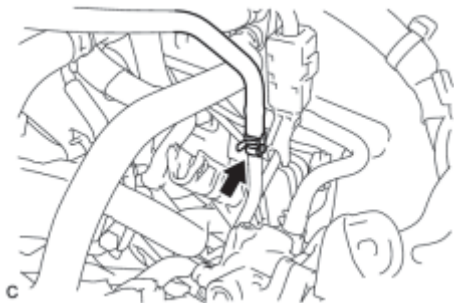
CAUTION:

Align the fuel tube connector with the pipe, then push the fuel tube connector in until the retainer makes a "click" sound. If the connection is tight, apply a small amount of engine oil to the tip of the pipe. After connecting, pull the pipe and connector to make sure that they are securely connected.



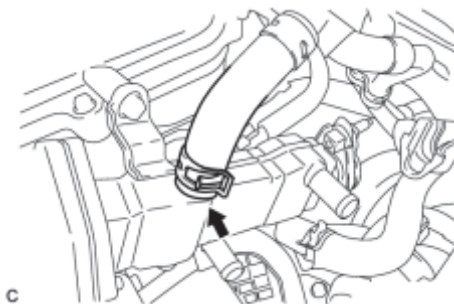
(b) Engage the claw and install the No. 1 fuel pipe clamp.

44. CONNECT NO. 1 FUEL VAPOR FEED HOSE



(a) Connect the No. 1 fuel vapor feed hose with the clamp.

45. CONNECT HEATER HOSE



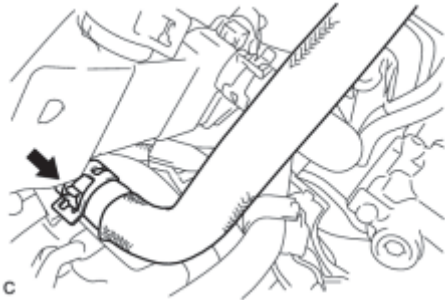
(a) Connect the heater hose with the clamp.

46. CONNECT INLET HEATER WATER HOSE

(a) Connect the inlet heater water hose with the clamp.

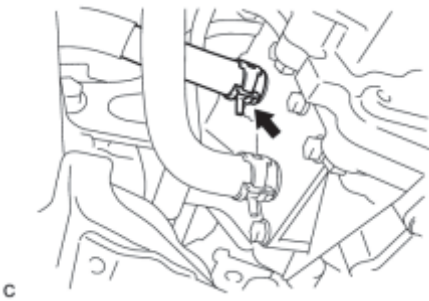


47. CONNECT OUTLET HEATER WATER HOSE



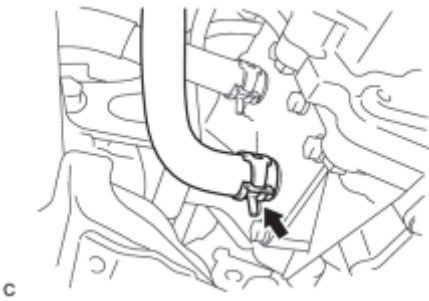
(a) Connect the outlet heater water hose with the clamp.

48. CONNECT NO. 5 INVERTER COOLING HOSE



(a) Connect the No. 5 inverter cooling hose with the clamp.

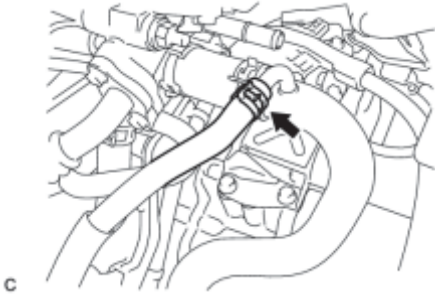
49. CONNECT NO. 3 INVERTER COOLING HOSE



(a) Connect the No. 3 inverter cooling hose with the clamp.

50. CONNECT NO. 4 WATER BY-PASS HOSE

(a) Connect the No. 4 water by-pass hose with the clamp.



c

51. CONNECT NO. 2 RADIATOR HOSE



c

(a) Connect the No. 2 radiator hose with the clamp.

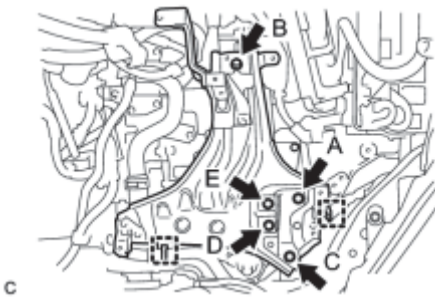
52. CONNECT NO. 1 RADIATOR HOSE



c

(a) Connect the No. 1 radiator hose with the clamp.

53. INSTALL INVERTER TRAY BRACKET



c

(a) Position the inverter tray bracket as shown in the illustration.

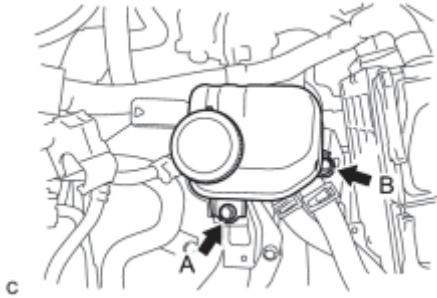
(b) Temporarily install bolt B to the inverter tray bracket.

(c) Tighten the 5 bolts to the inverter tray bracket in the order the bolt A, bolt C, bolt D, bolt E and bolt B.

Torque: **18 N·m (184 kgf·cm, 13ft·lbf)**

(d) Connect the 2 clamps to the inverter tray bracket.

54. INSTALL INVERTER RESERVE TANK ASSEMBLY



(a) Temporarily install bolt A to the inverter reserve tank assembly.

(b) Tighten the 2 bolts to the inverter reserve tank assembly in the order the bolt B and bolt A.

Torque: **10 N·m (102 kgf·cm, 7ft·lbf)**

55. INSTALL INVERTER WITH CONVERTER ASSEMBLY_ [INFO](#)

56. CONNECT WATER HOSE_ [INFO](#)

57. CONNECT NO. 2 ENGINE ROOM WIRE_ [INFO](#)

58. REMOVE INVERTER TERMINAL COVER_ [INFO](#)

59. CONNECT NO. 2 ENGINE WIRE_ [INFO](#)

60. CONNECT HIGH VOLTAGE CABLE OF FRONT TRANSAXLE_ [INFO](#)

61. CONNECT FRAME WIRE_ [INFO](#)

62. CHECK HIGH VOLTAGE CABLE CONNECTION_ [INFO](#)

63. INSTALL INVERTER TERMINAL COVER_ [INFO](#)

64. CONNECT ENGINE ROOM MAIN WIRE_ [INFO](#)

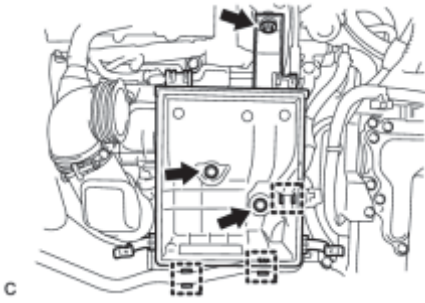
65. INSTALL NO. 1 INVERTER BRACKET_ [INFO](#)

66. INSTALL AIR CLEANER HOSE ASSEMBLY_ [INFO](#)

67. INSTALL AIR CLEANER CASE

(a) Install the air cleaner case with the 3 bolts.

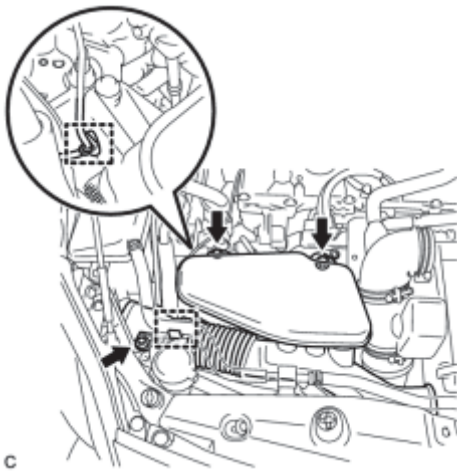
Torque: 7.0 N·m (71 kgf·cm, 62 in·lbf)



(b) Connect the No. 4 water by-pass hose to the air cleaner case with the 3 clamps.

(c) Install the air cleaner filter element.

68. INSTALL INLET AIR CLEANER ASSEMBLY



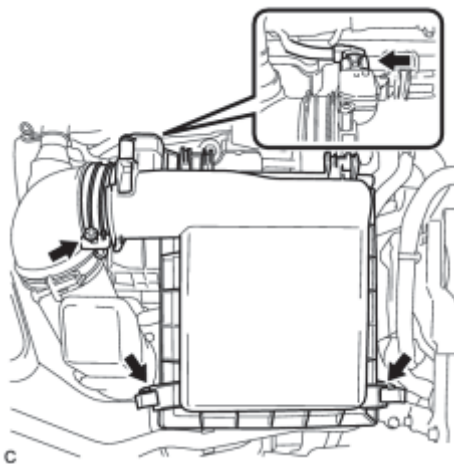
(a) Install the inlet air cleaner assembly with the 3 bolts.

Torque: 7.0 N·m (71 kgf·cm, 62 in·lbf)

(b) Connect the wire harness clamp to the inlet air cleaner assembly.

(c) Connect the No. 4 water by-pass hose to the inlet air cleaner assembly with the clamp.

69. INSTALL AIR CLEANER CAP SUB-ASSEMBLY



(a) Install the air cleaner cap sub-assembly with the 2 clamps and hose band.

(b) Connect the air flow meter connector.

70. INSTALL SERVICE PLUG GRIP_ INFO

71. CONNECT CABLE TO NEGATIVE BATTERY TERMINAL

NOTICE:

When disconnecting the cable, some systems need to be initialized after the cable is reconnected INFO.

72. INSTALL REAR NO. 3 FLOOR BOARD_ INFO

73. INSTALL REAR DECK FLOOR BOX_ INFO

74. INSTALL REAR NO. 2 FLOOR BOARD (for Separate Type)_ INFO

75. ADD HYBRID TRANSAXLE FLUID_ INFO

76. INSPECT HYBRID TRANSAXLE FLUID_ INFO

77. ADD COOLANT (for Engine)_ INFO

78. ADD COOLANT (for Inverter)_ INFO

79. ADD ENGINE OIL_ INFO

80. INSPECT ENGINE OIL LEVEL_ INFO

81. INSPECT FOR FUEL LEAK_ INFO

82. INSPECT FOR COOLANT LEAK (for Engine)_ INFO

83. INSPECT FOR COOLANT LEAK (for Inverter)_ INFO

84. INSPECT FOR OIL LEAK

85. INSPECT FOR EXHAUST GAS LEAK

86. INSTALL NO. 2 ENGINE UNDER COVER

87. INSTALL NO. 1 ENGINE UNDER COVER

88. INSTALL ENGINE UNDER COVER (w/ Cover)

89. INSTALL FRONT SPOILER COVER (w/ Front Spoiler)

90. INSTALL REAR ENGINE UNDER COVER LH

91. INSTALL REAR ENGINE UNDER COVER RH

92. INSTALL FRONT WHEELS

Torque: **103 N·m (1050 kgf·cm, 76ft·lbf)**

93. INSPECT IGNITION TIMING_ **INFO**

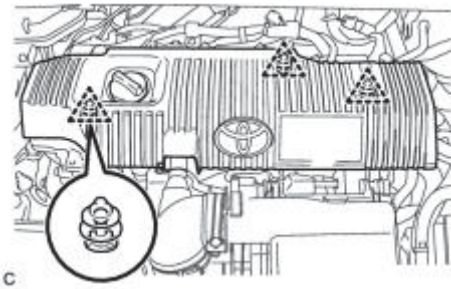
94. INSPECT ENGINE IDLE SPEED_ **INFO**

95. INSPECT CO/HC_ **INFO**

96. INSPECT AND ADJUST FRONT WHEEL ALIGNMENT

HINT: **INFO** .

97. INSTALL NO. 2 CYLINDER HEAD COVER



(a) Engage the 3 clips to install the cover.

- Be sure to engage the clips securely.
- Do not apply excessive force or hit the cover to engage the clips. This may cause the cover to break.

98. INSTALL RADIATOR SUPPORT OPENING COVER_ **INFO**

99. INSTALL OUTER COWL TOP PANEL SUB-ASSEMBLY_ **INFO**

100. INSTALL COWL BODY MOUNTING REINFORCEMENT LH_ **INFO**

101. INSTALL WINDSHIELD WIPER MOTOR AND LINK ASSEMBLY_ **INFO**

102. INSTALL COWL TOP VENTILATOR LOUVER SUB-ASSEMBLY_ **INFO**

103. INSTALL COWL SIDE VENTILATOR SUB-ASSEMBLY LH_ **INFO**

104. INSTALL COWL SIDE VENTILATOR SUB-ASSEMBLY RH_ **INFO**

105. INSTALL FRONT WIPER ARM AND BLADE ASSEMBLY RH_ **INFO**

106. INSTALL FRONT WIPER ARM AND BLADE ASSEMBLY LH_ **INFO**

107. INSTALL FRONT WIPER ARM HEAD CAP_ **INFO**

108. CHECK ABS SPEED SENSOR SIGNAL

HINT:  .