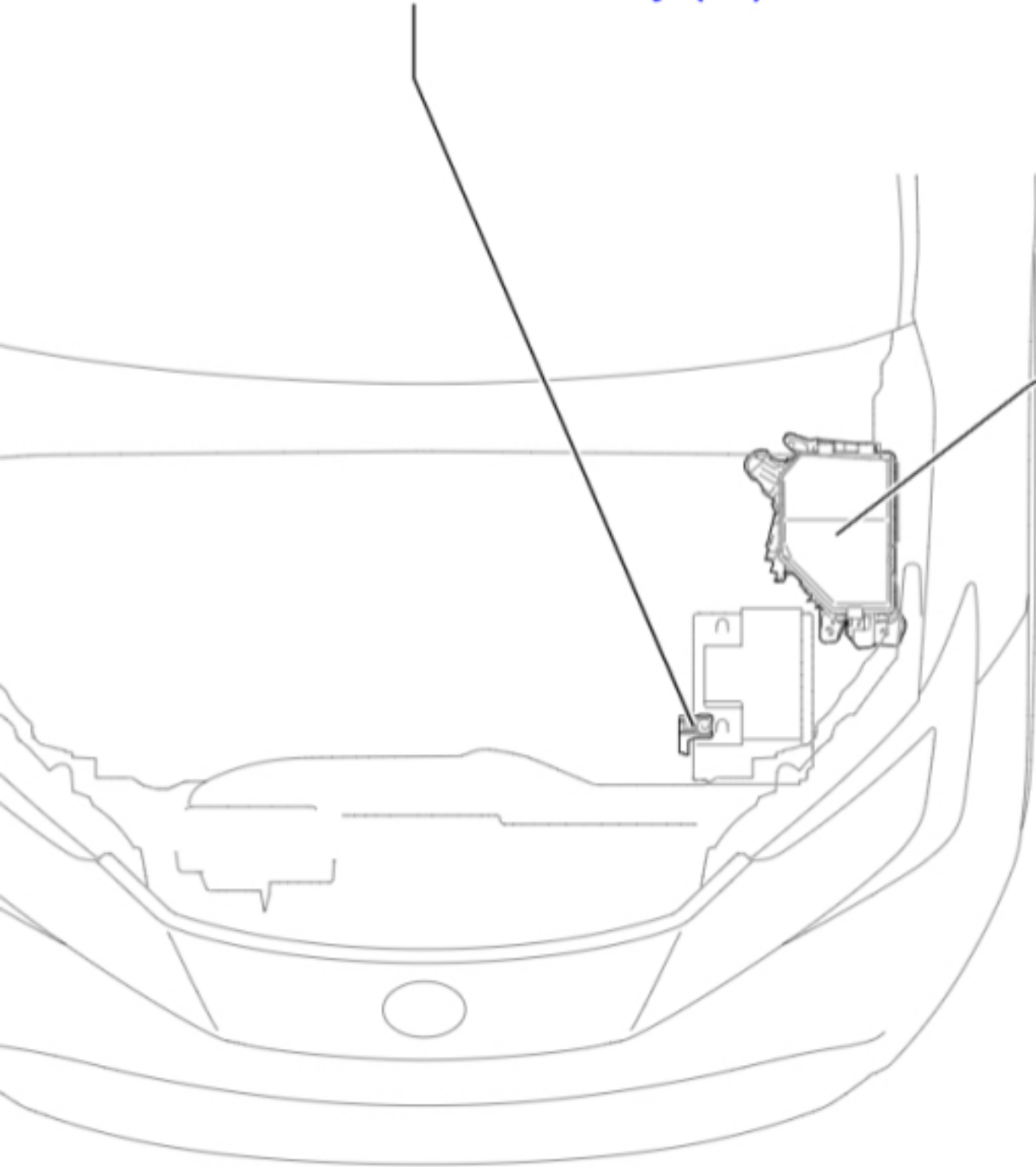


Fusible Link Block Assembly (*1)



Engine Room R/B No. 1
Engine Room J/B No. 1

H-LP LH Relay

VVT Relay (*1)
C/OPN Relay (*2)

EFI-MAIN NO.1 Relay

* 1:M20A-FXS
* 2:2ZR-FXE
* 22:HEV
* 23:PHEV

WIPER Relay

Unit D

Unit C

Unit A

Unit B

EFI-MAIN
NO.2 Relay

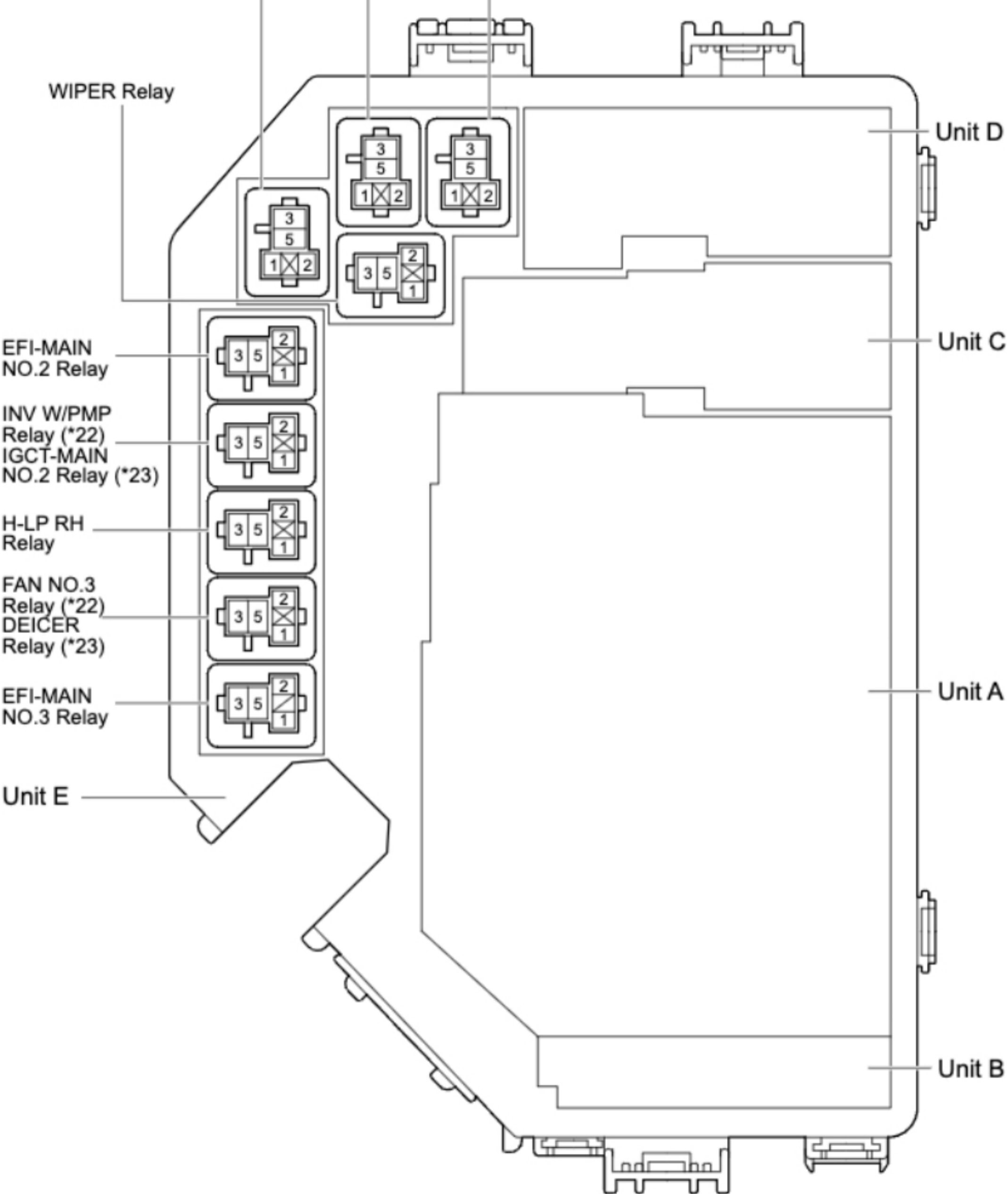
INV W/PMP
Relay (*22)
IGCT-MAIN
NO.2 Relay (*23)

H-LP RH
Relay

FAN NO.3
Relay (*22)
DEICER
Relay (*23)

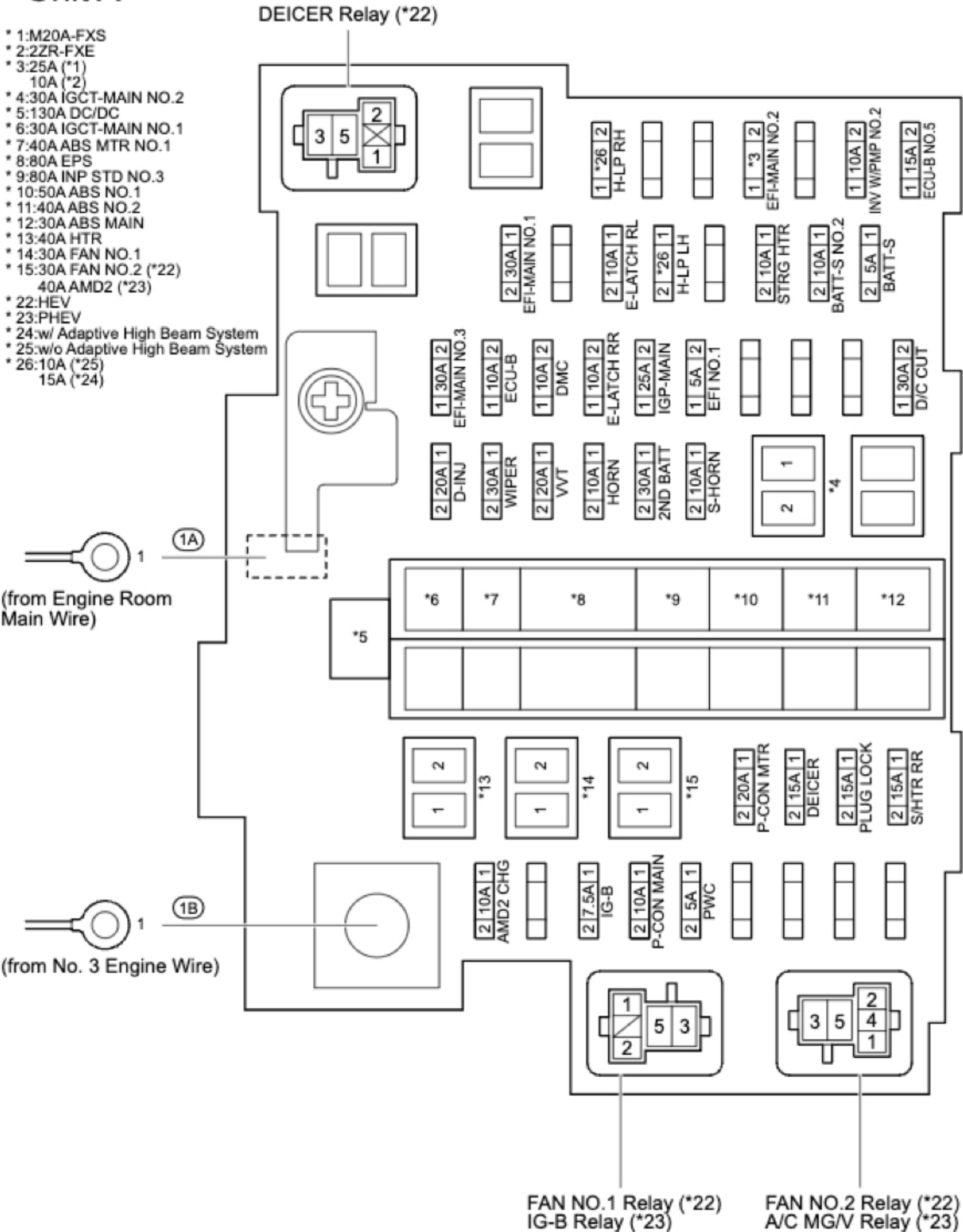
EFI-MAIN
NO.3 Relay

Unit E



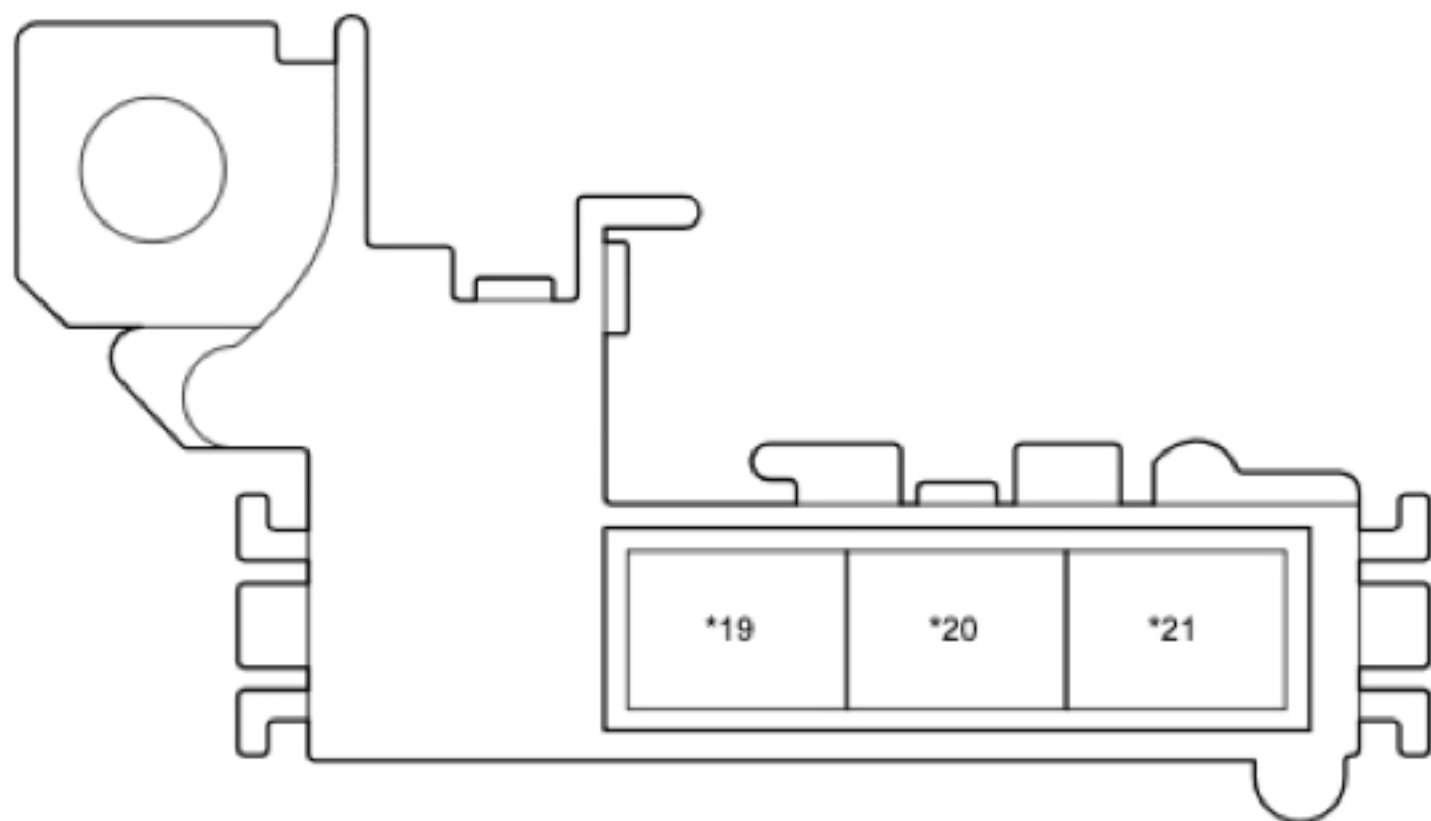
Unit A

- * 1:M20A-FXS
- * 2:2ZR-FXE
- * 3:25A (*1)
10A (*2)
- * 4:30A IGCT-MAIN NO.2
- * 5:130A DC/DC
- * 6:30A IGCT-MAIN NO.1
- * 7:40A ABS MTR NO.1
- * 8:80A EPS
- * 9:80A INP STD NO.3
- * 10:50A ABS NO.1
- * 11:40A ABS NO.2
- * 12:30A ABS MAIN
- * 13:40A HTR
- * 14:30A FAN NO.1
- * 15:30A FAN NO.2 (*22)
40A AMD2 (*23)
- * 22:HEV
- * 23:PHEV
- * 24:w/ Adaptive High Beam System
- * 25:w/o Adaptive High Beam System
- * 26:10A (*25)
15A (*24)



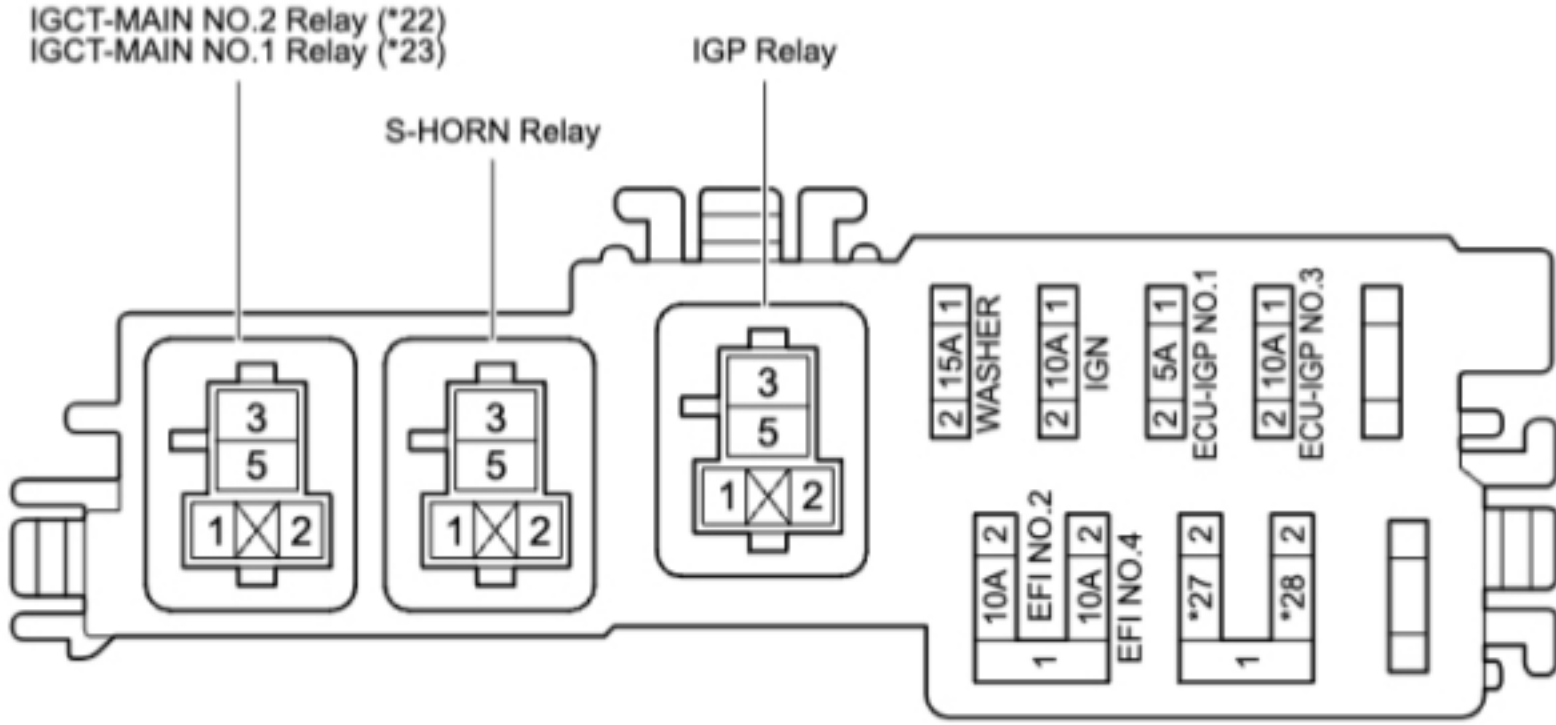
Unit B

- * 19:60A INP STD NO.1
- * 20:80A INP STD NO.2
- * 21:100A FAN NO.1



Unit C

- * 22:HEV
- * 23:PHEV
- * 27:10A BATT FAN (*22)
10A PCU NO.1 (*23)
- * 28:5A INV W/PMP (*22)
10A PCU NO.2 (*23)



Fuse		System
5A	BATT-S	<u>Cruise Control</u> <u>Hybrid System</u>
5A	ECU-IGP NO.1	<u>Cruise Control</u> <u>Engine Control (2ZR-FXE)</u> <u>Engine Control (M20A-FXS)</u> <u>Fuel Lid Opener (2ZR-FXE)</u> <u>Fuel Lid Opener (M20A-FXS)</u> <u>Hybrid System</u> <u>Plug-in Charge Control System</u> <u>Plug-in Hybrid System</u> <u>Shift Control System</u> <u>Solar Battery Charger System</u>
5A	EFI NO.1	<u>Engine Control (2ZR-FXE)</u> <u>Engine Control (M20A-FXS)</u> <u>Fuel Lid Opener (2ZR-FXE)</u> <u>Fuel Lid Opener (M20A-FXS)</u>
5A	INV W/PMP	<u>Cruise Control</u> <u>Hybrid System</u> <u>Plug-in Charge Control System</u> <u>Plug-in Hybrid System</u> <u>Solar Battery Charger System</u>
5A	PWC	<u>Plug-in Charge Control System</u> <u>Plug-in Hybrid System</u> <u>Solar Battery Charger System</u>
5A	SBW-IGCT	<u>Shift Control System</u>
7.5A	IG-B	<u>Air Conditioner</u>
10A	AMD2 CHG	<u>Plug-in Charge Control System</u> <u>Plug-in Hybrid System</u> <u>Solar Battery Charger System</u>
10A	BATT FAN	<u>Cruise Control</u> <u>Hybrid System</u>
10A	BATT-S NO.2	<u>Cruise Control</u> <u>Hybrid System</u>
10A	DMC	<u>Dynamic Radar Cruise Control</u> <u>Lane Tracing Assist System</u> <u>Pre-Collision System</u>
10A	ECU-B	<u>Acoustic Vehicle Alerting System</u> <u>Adaptive High Beam System (LHD)</u> <u>Adaptive High Beam System (RHD)</u> <u>Air Conditioner</u> <u>Automatic High Beam System (LHD)</u> <u>Automatic High Beam System (RHD)</u> <u>Automatic Light Control (LHD)</u> <u>Automatic Light Control (RHD)</u> <u>Door Lock Control (LHD)</u> <u>Door Lock Control (RHD)</u> <u>Headlight (LHD)</u> <u>Headlight (RHD)</u> <u>Headlight Beam Level Control (Automatic) (LHD)</u> <u>Headlight Beam Level Control (Automatic) (RHD)</u> <u>Interior Light (LHD)</u> <u>Interior Light (RHD)</u> <u>Light Auto Turn Off System (LHD)</u> <u>Light Auto Turn Off System (RHD)</u> <u>Light Reminder (LHD)</u> <u>Light Reminder (RHD)</u> <u>Rear Fog Light (LHD)</u> <u>Rear Fog Light (RHD)</u> <u>Remote Control Mirror (LHD)</u> <u>Remote Control Mirror (RHD)</u> <u>Seat Belt Warning (LHD)</u> <u>Seat Belt Warning (RHD)</u> <u>Theft Deterrent (LHD)</u> <u>Theft Deterrent (RHD)</u>
10A	ECU-IGP NO.3	<u>ABS</u> <u>Air Conditioner</u> <u>Brake Assist</u> <u>Brake Hold System</u> <u>Downhill Assist Control</u> <u>EBD</u> <u>Electric Parking Brake</u> <u>Heated Steering Wheel System</u> <u>Hill-Start Assist Control</u> <u>Multiplex Communication System (CAN)</u> <u>Seat Heater (Rear)</u> <u>Stop Light</u> <u>TRC</u> <u>VSC</u> <u>Windshield Deicer</u>
10A	EFI NO.2	<u>Engine Control (2ZR-FXE)</u> <u>Engine Control (M20A-FXS)</u> <u>Fuel Lid Opener (2ZR-FXE)</u> <u>Fuel Lid Opener (M20A-FXS)</u>
10A	EFI NO.3	<u>Cooling Fan (HEV)</u> <u>Engine Control (2ZR-FXE)</u> <u>Engine Control (M20A-FXS)</u> <u>Fuel Lid Opener (2ZR-FXE)</u> <u>Fuel Lid Opener (M20A-FXS)</u> <u>Plug-in Charge Control System</u> <u>Plug-in Hybrid System</u> <u>Solar Battery Charger System</u>
10A	EFI NO.4	<u>Grille Shutter</u>
10A	EFI NO.5	<u>Engine Control (M20A-FXS)</u> <u>Fuel Lid Opener (M20A-FXS)</u>
10A	EFI-MAIN NO.2	<u>Engine Control (2ZR-FXE)</u> <u>Fuel Lid Opener (2ZR-FXE)</u>

10A	E-LATCH RL	<u>Adaptive High Beam System (LHD)</u> <u>Adaptive High Beam System (RHD)</u> <u>Automatic High Beam System (LHD)</u> <u>Automatic High Beam System (RHD)</u> <u>Automatic Light Control (LHD)</u> <u>Automatic Light Control (RHD)</u> <u>Door Lock Control (LHD)</u> <u>Door Lock Control (RHD)</u> <u>Headlight (LHD)</u> <u>Headlight (RHD)</u> <u>Headlight Beam Level Control (Automatic) (LHD)</u> <u>Headlight Beam Level Control (Automatic) (RHD)</u> <u>Interior Light (LHD)</u> <u>Interior Light (RHD)</u> <u>Light Auto Turn Off System (LHD)</u> <u>Light Auto Turn Off System (RHD)</u> <u>Light Reminder (LHD)</u> <u>Light Reminder (RHD)</u> <u>Rear Fog Light (LHD)</u> <u>Rear Fog Light (RHD)</u> <u>Remote Control Mirror (LHD)</u> <u>Remote Control Mirror (RHD)</u> <u>Seat Belt Warning (LHD)</u> <u>Seat Belt Warning (RHD)</u> <u>Theft Deterrent (LHD)</u> <u>Theft Deterrent (RHD)</u>
10A	E-LATCH RR	<u>Adaptive High Beam System (LHD)</u> <u>Adaptive High Beam System (RHD)</u> <u>Automatic High Beam System (LHD)</u> <u>Automatic High Beam System (RHD)</u> <u>Automatic Light Control (LHD)</u> <u>Automatic Light Control (RHD)</u> <u>Door Lock Control (LHD)</u> <u>Door Lock Control (RHD)</u> <u>Headlight (LHD)</u> <u>Headlight (RHD)</u> <u>Headlight Beam Level Control (Automatic) (LHD)</u> <u>Headlight Beam Level Control (Automatic) (RHD)</u> <u>Interior Light (LHD)</u> <u>Interior Light (RHD)</u> <u>Light Auto Turn Off System (LHD)</u> <u>Light Auto Turn Off System (RHD)</u> <u>Light Reminder (LHD)</u> <u>Light Reminder (RHD)</u> <u>Rear Fog Light (LHD)</u> <u>Rear Fog Light (RHD)</u> <u>Remote Control Mirror (LHD)</u> <u>Remote Control Mirror (RHD)</u> <u>Seat Belt Warning (LHD)</u> <u>Seat Belt Warning (RHD)</u> <u>Theft Deterrent (LHD)</u> <u>Theft Deterrent (RHD)</u>
10A	H-LP LH	<u>Adaptive High Beam System (LHD)</u> <u>Adaptive High Beam System (RHD)</u> <u>Automatic High Beam System (LHD)</u> <u>Automatic High Beam System (RHD)</u> <u>Automatic Light Control (LHD)</u> <u>Automatic Light Control (RHD)</u> <u>Door Lock Control (LHD)</u> <u>Door Lock Control (RHD)</u> <u>Headlight (LHD)</u> <u>Headlight (RHD)</u> <u>Headlight Beam Level Control (Automatic) (LHD)</u> <u>Headlight Beam Level Control (Automatic) (RHD)</u> <u>Headlight Beam Level Control (Manual)</u> <u>Interior Light (LHD)</u> <u>Interior Light (RHD)</u> <u>Light Auto Turn Off System (LHD)</u> <u>Light Auto Turn Off System (RHD)</u> <u>Light Reminder (LHD)</u> <u>Light Reminder (RHD)</u> <u>Rear Fog Light (LHD)</u> <u>Rear Fog Light (RHD)</u> <u>Remote Control Mirror (LHD)</u> <u>Remote Control Mirror (RHD)</u> <u>Seat Belt Warning (LHD)</u> <u>Seat Belt Warning (RHD)</u> <u>Theft Deterrent (LHD)</u> <u>Theft Deterrent (RHD)</u>
10A	H-LP RH	<u>Adaptive High Beam System (LHD)</u> <u>Adaptive High Beam System (RHD)</u> <u>Automatic High Beam System (LHD)</u> <u>Automatic High Beam System (RHD)</u> <u>Automatic Light Control (LHD)</u> <u>Automatic Light Control (RHD)</u> <u>Door Lock Control (LHD)</u> <u>Door Lock Control (RHD)</u> <u>Headlight (LHD)</u> <u>Headlight (RHD)</u> <u>Headlight Beam Level Control (Automatic) (LHD)</u> <u>Headlight Beam Level Control (Automatic) (RHD)</u> <u>Interior Light (LHD)</u> <u>Interior Light (RHD)</u> <u>Light Auto Turn Off System (LHD)</u> <u>Light Auto Turn Off System (RHD)</u> <u>Light Reminder (LHD)</u> <u>Light Reminder (RHD)</u> <u>Rear Fog Light (LHD)</u> <u>Rear Fog Light (RHD)</u> <u>Remote Control Mirror (LHD)</u> <u>Remote Control Mirror (RHD)</u> <u>Seat Belt Warning (LHD)</u> <u>Seat Belt Warning (RHD)</u> <u>Theft Deterrent (LHD)</u> <u>Theft Deterrent (RHD)</u>
10A	HORN	<u>Horn</u>
10A	IGCT NO.2	<u>Cruise Control</u> <u>Hybrid System</u>

10A	IGN	<u>Engine Control (2ZR-FXE)</u> <u>Engine Control (M20A-FXS)</u> <u>Fuel Lid Opener (2ZR-FXE)</u> <u>Fuel Lid Opener (M20A-FXS)</u> <u>Ignition (2ZR-FXE)</u> <u>Ignition (M20A-FXS)</u>
10A	INV W/PMP NO.2	<u>Cruise Control</u> <u>Hybrid System</u> <u>Plug-in Charge Control System</u> <u>Plug-in Hybrid System</u> <u>Solar Battery Charger System</u>
10A	P-CON MAIN	<u>Shift Control System</u>
10A	PCU NO.1	<u>Cruise Control</u> <u>Hybrid System</u> <u>Plug-in Charge Control System</u> <u>Plug-in Hybrid System</u> <u>Solar Battery Charger System</u>
10A	PCU NO.2	<u>Cruise Control</u> <u>Hybrid System</u> <u>Plug-in Charge Control System</u> <u>Plug-in Hybrid System</u> <u>Solar Battery Charger System</u>
10A	PM-IGCT	<u>Cruise Control</u> <u>Hybrid System</u>
10A	S-HORN	<u>Adaptive High Beam System (LHD)</u> <u>Adaptive High Beam System (RHD)</u> <u>Automatic High Beam System (LHD)</u> <u>Automatic High Beam System (RHD)</u> <u>Automatic Light Control (LHD)</u> <u>Automatic Light Control (RHD)</u> <u>Door Lock Control (LHD)</u> <u>Door Lock Control (RHD)</u> <u>Headlight (LHD)</u> <u>Headlight (RHD)</u> <u>Headlight Beam Level Control (Automatic) (LHD)</u> <u>Headlight Beam Level Control (Automatic) (RHD)</u> <u>Interior Light (LHD)</u> <u>Interior Light (RHD)</u> <u>Light Auto Turn Off System (LHD)</u> <u>Light Auto Turn Off System (RHD)</u> <u>Light Reminder (LHD)</u> <u>Light Reminder (RHD)</u> <u>Rear Fog Light (LHD)</u> <u>Rear Fog Light (RHD)</u> <u>Remote Control Mirror (LHD)</u> <u>Remote Control Mirror (RHD)</u> <u>Seat Belt Warning (LHD)</u> <u>Seat Belt Warning (RHD)</u> <u>Theft Deterrent (LHD)</u> <u>Theft Deterrent (RHD)</u>
10A	STRG HTR	<u>Heated Steering Wheel System</u>
15A	DEICER	<u>Windshield Deicer</u>
15A	ECU-B NO.5	<u>Power Source (HEV)</u> <u>Power Source (PHEV)</u>
15A	H-LP LH	<u>Adaptive High Beam System (LHD)</u> <u>Adaptive High Beam System (RHD)</u> <u>Automatic High Beam System (LHD)</u> <u>Automatic High Beam System (RHD)</u> <u>Automatic Light Control (LHD)</u> <u>Automatic Light Control (RHD)</u> <u>Door Lock Control (LHD)</u> <u>Door Lock Control (RHD)</u> <u>Headlight (LHD)</u> <u>Headlight (RHD)</u> <u>Headlight Beam Level Control (Automatic) (LHD)</u> <u>Headlight Beam Level Control (Automatic) (RHD)</u> <u>Interior Light (LHD)</u> <u>Interior Light (RHD)</u> <u>Light Auto Turn Off System (LHD)</u> <u>Light Auto Turn Off System (RHD)</u> <u>Light Reminder (LHD)</u> <u>Light Reminder (RHD)</u> <u>Rear Fog Light (LHD)</u> <u>Rear Fog Light (RHD)</u> <u>Remote Control Mirror (LHD)</u> <u>Remote Control Mirror (RHD)</u> <u>Seat Belt Warning (LHD)</u> <u>Seat Belt Warning (RHD)</u> <u>Theft Deterrent (LHD)</u> <u>Theft Deterrent (RHD)</u>
15A	H-LP RH	<u>Adaptive High Beam System (LHD)</u> <u>Adaptive High Beam System (RHD)</u> <u>Automatic High Beam System (LHD)</u> <u>Automatic High Beam System (RHD)</u> <u>Automatic Light Control (LHD)</u> <u>Automatic Light Control (RHD)</u> <u>Door Lock Control (LHD)</u> <u>Door Lock Control (RHD)</u> <u>Headlight (LHD)</u> <u>Headlight (RHD)</u> <u>Headlight Beam Level Control (Automatic) (LHD)</u> <u>Headlight Beam Level Control (Automatic) (RHD)</u> <u>Interior Light (LHD)</u> <u>Interior Light (RHD)</u> <u>Light Auto Turn Off System (LHD)</u> <u>Light Auto Turn Off System (RHD)</u> <u>Light Reminder (LHD)</u> <u>Light Reminder (RHD)</u> <u>Rear Fog Light (LHD)</u> <u>Rear Fog Light (RHD)</u> <u>Remote Control Mirror (LHD)</u> <u>Remote Control Mirror (RHD)</u> <u>Seat Belt Warning (LHD)</u> <u>Seat Belt Warning (RHD)</u> <u>Theft Deterrent (LHD)</u> <u>Theft Deterrent (RHD)</u>

15A	PLUG LOCK	<u>Plug-in Charge Control System</u> <u>Plug-in Hybrid System</u> <u>Solar Battery Charger System</u>
15A	S/HTR RR	<u>Seat Heater (Rear)</u>
15A	WASHER	<u>Front Wiper and Washer</u>
20A	D-INJ	<u>Engine Control (M20A-FXS)</u> <u>Fuel Lid Opener (M20A-FXS)</u>
20A	P-CON MTR	<u>Shift Control System</u>
20A	VVT	<u>Engine Control (M20A-FXS)</u> <u>Fuel Lid Opener (M20A-FXS)</u>
25A	EFI-MAIN NO.2	<u>Engine Control (M20A-FXS)</u> <u>Fuel Lid Opener (M20A-FXS)</u>
25A	IGP-MAIN	<u>Power Source (HEV)</u> <u>Power Source (PHEV)</u>
30A	2ND BATT	<u>Sub-Battery System</u>
30A	ABS MAIN	<u>ABS</u> <u>Brake Assist</u> <u>Brake Hold System</u> <u>Downhill Assist Control</u> <u>EBD</u> <u>Electric Parking Brake</u> <u>Hill-Start Assist Control</u> <u>TRC</u> <u>VSC</u>
30A	D/C CUT	<u>Power Source (HEV)</u> <u>Power Source (PHEV)</u>
30A	EFI-MAIN NO.1	<u>Cooling Fan (HEV)</u> <u>Engine Control (2ZR-FXE)</u> <u>Engine Control (M20A-FXS)</u> <u>Fuel Lid Opener (2ZR-FXE)</u> <u>Fuel Lid Opener (M20A-FXS)</u> <u>Grille Shutter</u> <u>Plug-in Charge Control System</u> <u>Plug-in Hybrid System</u> <u>Solar Battery Charger System</u>
30A	EFI-MAIN NO.3	<u>Engine Control (2ZR-FXE)</u> <u>Engine Control (M20A-FXS)</u> <u>Fuel Lid Opener (2ZR-FXE)</u> <u>Fuel Lid Opener (M20A-FXS)</u>
30A	FAN NO.1	<u>Cooling Fan (HEV)</u>
30A	FAN NO.2	<u>Cooling Fan (HEV)</u>
30A	IGCT-MAIN NO.1	<u>Cruise Control</u> <u>Hybrid System</u> <u>Plug-in Charge Control System</u> <u>Plug-in Hybrid System</u> <u>Solar Battery Charger System</u>
30A	IGCT-MAIN NO.2	<u>Cruise Control</u> <u>Hybrid System</u> <u>Plug-in Charge Control System</u> <u>Plug-in Hybrid System</u> <u>Solar Battery Charger System</u>
30A	WIPER	<u>Front Wiper and Washer</u>
40A	ABS MTR NO.1	<u>ABS</u> <u>Brake Assist</u> <u>Brake Hold System</u> <u>Downhill Assist Control</u> <u>EBD</u> <u>Electric Parking Brake</u> <u>Hill-Start Assist Control</u> <u>TRC</u> <u>VSC</u>
40A	ABS NO.2	<u>ABS</u> <u>Brake Assist</u> <u>Brake Hold System</u> <u>Downhill Assist Control</u> <u>EBD</u> <u>Electric Parking Brake</u> <u>Hill-Start Assist Control</u> <u>TRC</u> <u>VSC</u>
40A	AMD2	<u>Plug-in Charge Control System</u> <u>Plug-in Hybrid System</u> <u>Solar Battery Charger System</u>
40A	HTR	<u>Air Conditioner</u>
50A	ABS NO.1	<u>ABS</u> <u>Brake Assist</u> <u>Brake Hold System</u> <u>Downhill Assist Control</u> <u>EBD</u> <u>Electric Parking Brake</u> <u>Hill-Start Assist Control</u> <u>TRC</u> <u>VSC</u>

60A	INP STD NO.1	<u>Adaptive High Beam System (LHD).</u> <u>Adaptive High Beam System (RHD).</u> <u>Automatic High Beam System (LHD).</u> <u>Automatic High Beam System (RHD).</u> <u>Automatic Light Control (LHD).</u> <u>Automatic Light Control (RHD).</u> <u>Back-Up Light</u> <u>Door Lock Control (LHD).</u> <u>Door Lock Control (RHD).</u> <u>Headlight (LHD).</u> <u>Headlight (RHD).</u> <u>Headlight Beam Level Control (Automatic) (LHD).</u> <u>Headlight Beam Level Control (Automatic) (RHD).</u> <u>Interior Light (LHD).</u> <u>Interior Light (RHD).</u> <u>Light Auto Turn Off System (LHD).</u> <u>Light Auto Turn Off System (RHD).</u> <u>Light Reminder (LHD).</u> <u>Light Reminder (RHD).</u> <u>Mirror Heater</u> <u>Rear Fog Light (LHD).</u> <u>Rear Fog Light (RHD).</u> <u>Rear Window Defogger</u> <u>Remote Control Mirror (LHD).</u> <u>Remote Control Mirror (RHD).</u> <u>Seat Belt Warning (LHD).</u> <u>Seat Belt Warning (RHD).</u> <u>Theft Deterrent (LHD).</u> <u>Theft Deterrent (RHD).</u>
80A	EPS	<u>EPS</u>