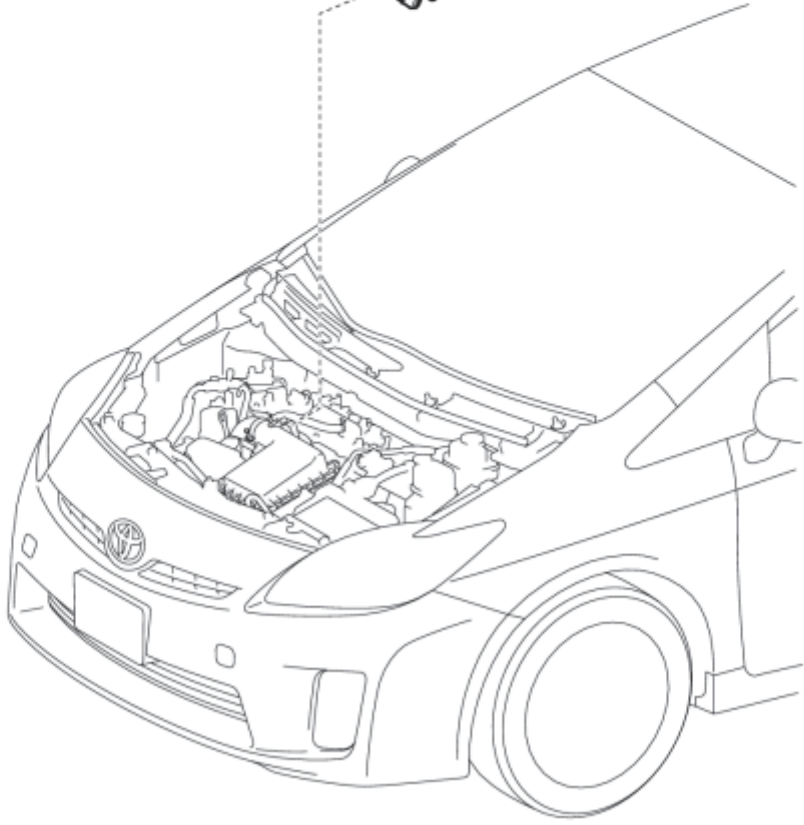
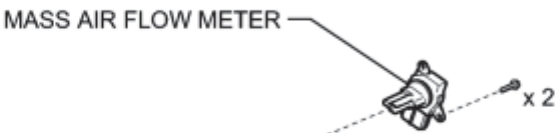


COMPONENTS

ILLUSTRATION



ON-VEHICLE INSPECTION

NOTICE:

- Perform the mass air flow meter inspection in accordance with the following procedure.
- Replace the mass air flow meter only when foreign matter adheres to the sensor and the MAF value in the Data List (with the engine stopped) is not within the normal operating range.

1. INSPECT MASS AIR FLOW METER

(a) Read the values using the Techstream (MAF).

NOTICE:

- Perform the inspection with the vehicle indoors and on a level surface.
- Perform the inspection of the mass air flow meter while it is installed into the air cleaner case (installed on the vehicle).
- During the test, do not use an exhaust air duct on the exhaust pipe.

(1) Connect the Techstream to the DLC3.

(2) Turn the power switch on (IG) (do not run the engine).


(3) Turn the Techstream on.

(4) Enter the following menus: Powertrain / Engine and ECT / Data List / MAF.

(5) Wait 30 seconds, and read the values on the Techstream.

Standard Condition:

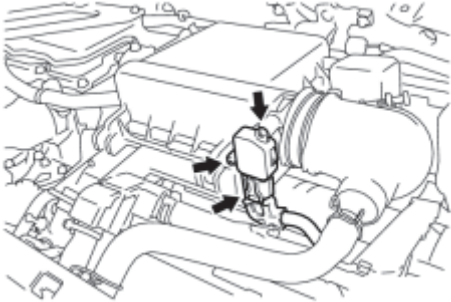
Tester Display	Condition	Standard Condition
MAF	<ul style="list-style-type: none">• Engine not running• 30 seconds after power switch is turned on (IG)	Less than 0.25 g/sec

- If the result is not as specified, replace the mass air flow meter.
- If the result is within the specified range, remove and inspect the mass air flow meter .

REMOVAL

1. REMOVE NO. 2 CYLINDER HEAD COVER INFO

2. REMOVE MASS AIR FLOW METER



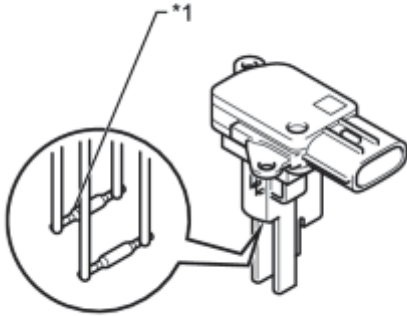
(a) Disconnect the mass air flow meter connector.

(b) Remove the 2 screws and the mass air flow meter.

INSPECTION

1. INSPECT MASS AIR FLOW METER

(a) Perform a visual check for any foreign matter on the platinum hot wire (heater) of the mass air flow meter shown in the illustration.



Text in Illustration

*1	Platinum Hot Wire (Heater)
----	----------------------------

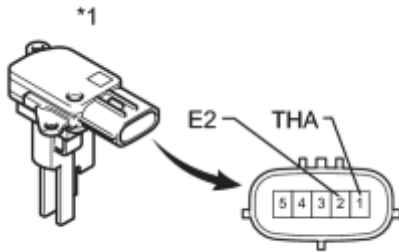
Result:

There is no foreign matter.

If the result is not as specified, replace the mass air flow meter.

(b) Measure the resistance according to the value(s) in the table below.

Text in Illustration



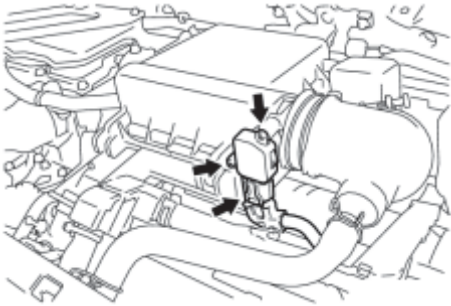
*1	Mass Air Flow Meter
----	---------------------

Standard Resistance:

Tester Connection	Condition	Specified Condition
1 (THA) - 2 (E2)	-20°C (-4°F)	13.6 to 18.4 kΩ
	20°C (68°F)	2.21 to 2.69 kΩ
	60°C (140°F)	0.49 to 0.67 kΩ

INSTALLATION

1. INSTALL MASS AIR FLOW METER



(a) Install the mass air flow meter with the 2 screws.

NOTICE:

Make sure that the O-ring is not cracked or does not jump out of position during installation.

(b) Connect the mass air flow meter connector.

2. INSTALL NO. 2 CYLINDER HEAD COVER INFO