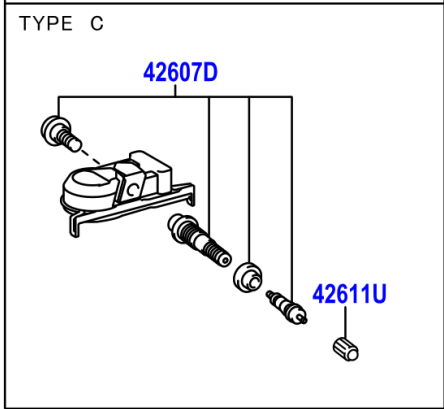
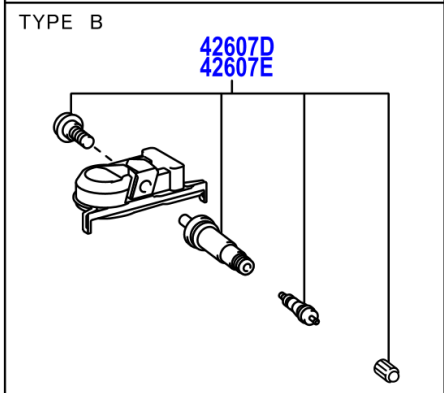
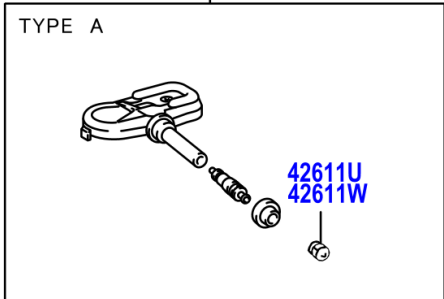


42607
42607A



※1 Distinguishing Mark located at the reverse side(or obverse side)of Disc Wheel.

TYPE	A	TYPE	B	TYPE	C
SIZE	15X6.5J	SIZE	15X6.5J	SIZE	17X7J
	ALUMINUM		ALUMINUM		ALUMINUM
	※1		※1		※1
TYPE	D	TYPE	E	TYPE	F
SIZE	17X4T	SIZE	17X7J	SIZE	17X4T
	STEEL		ALUMINUM		STEEL
			※1 ENKEI		
TYPE	G				
SIZE	15X6.5J				
	ALUMINUM				
		04423 04423B		42601C	42611J

42601
42601A

414467E

Catalogue: PRIUS (2015 - 2022)

Print Date: 07/07/2024

Section: 41.03 DISC WHEEL & WHEEL CAP DISC WHEEL ILLUSTR. NO. 1 OF 2; (1511-);

VIN:

Build Date:

PNC	Part number	Description	Model Codes	Qty	Inv	From	To
04423	04423-33060	FITTING KIT, TIRE PRESSURE MONITOR OR BALANCER VALVE	ZVW5#	4		11/2015	12/2018
04423B	04423-33060	FITTING KIT, TIRE PRESSURE MONITOR OR BALANCER VALVE(SPARE), USA POSSESSION SPEC&SPARE TIRE-GROUND TIRE	ZVW50	1		11/2015	12/2018
42601	42611-47440	WHEEL, DISC, 15X6.5J, #,TYPE A:REFER ILLUSTR.	ZVW5#..B,E,G	4	SIM	11/2015	12/2018
42601	42611-47450	WHEEL, DISC, 15X6.5J, #,TYPE B:REFER ILLUSTR.	ZVW5#..B,E,G	4		11/2015	12/2018
42601A	42611-47630	WHEEL, DISC (FOR SPARE), 17X4T,USA POSSESSION SPEC&SPARE TIRE-GROUND TIRE,TYPE D:REFER ILLUSTR.	ZVW50	1	SIM	11/2015	03/2018
42601A	42611-47630	WHEEL, DISC (FOR SPARE), 17X4T,SPARE TIRE-GROUND TIRE,TYPE D:REFER ILLUSTR.	ZVW5#..E,G,H	1	SIM	11/2015	03/2018
42601A	42611-47631	WHEEL, DISC (FOR SPARE), 17X4T,USA POSSESSION SPEC&SPARE TIRE-GROUND TIRE,TYPE F:REFER ILLUSTR.	ZVW50	1		04/2018	12/2018
42601A	42611-47631	WHEEL, DISC (FOR SPARE), 17X4T,SPARE TIRE-GROUND TIRE,TYPE F:REFER ILLUSTR.	ZVW5#..E,G,H	1		04/2018	12/2018
42601A	42611-47440	WHEEL, DISC (FOR SPARE), 15X6.5J, #,USA POSSESSION SPEC&SPARE TIRE-GROUND TIRE,TYPE A:REFER ILLUSTR.	ZVW50	1	SIM	11/2015	12/2018
42601A	42611-47450	WHEEL, DISC (FOR SPARE), 15X6.5J, #,USA POSSESSION SPEC&SPARE TIRE-GROUND TIRE,TYPE B:REFER ILLUSTR.	ZVW50	1		11/2015	12/2018
42601A	42611-47630	WHEEL, DISC (FOR SPARE), 17X4T,TYPE D:REFER ILLUSTR.	ZVW5#..E,G,H	1	SIM	11/2015	03/2018
42601A	42611-47631	WHEEL, DISC (FOR SPARE), 17X4T,TYPE F:REFER ILLUSTR.	ZVW5#..E,G,H	1		04/2018	12/2018
42601C	90942-01033	NUT, HUB (FOR AXLE)	ZVW5#	20		11/2015	12/2018
42607	42607-42021	VALVE SUB-ASSY, TIRE PRESSURE MONITOR, KOREA SPEC,TYPE A:REFER ILLUSTR.	ZVW50	4	SIM	11/2015	12/2018
42607	42607-52020	VALVE SUB-ASSY, TIRE PRESSURE MONITOR, TYPE A:REFER ILLUSTR.	ZVW5#	4		11/2015	12/2018
42607A	42607-52020	VALVE SUB-ASSY, TIRE PRESSURE MONITOR (FOR SPARE), USA POSSESSION SPEC&SPARE TIRE-GROUND TIRE,TYPE A:REFER ILLUSTR.	ZVW50	1		11/2015	12/2018
42611J	90942-05009	VALVE (FOR TUBELESS TIRE SPARE), USA POSSESSION SPEC&SPARE TIRE-GROUND TIRE	ZVW50	1		11/2015	12/2018
42611J	90942-05009	VALVE (FOR TUBELESS TIRE SPARE), SPARE TIRE-GROUND TIRE	ZVW5#..E,G,H	1		11/2015	12/2018
42611J	90942-05009	VALVE (FOR TUBELESS TIRE SPARE)	ZVW5#..E,G,H	1		11/2015	12/2018
42611U	90942-05039	CAP, TIRE VALVE	ZVW5#	4		11/2015	12/2018
42611W	90942-05039	CAP, TIRE VALVE (FOR SPARE), USA POSSESSION SPEC&SPARE TIRE-GROUND TIRE	ZVW50	1		11/2015	12/2018