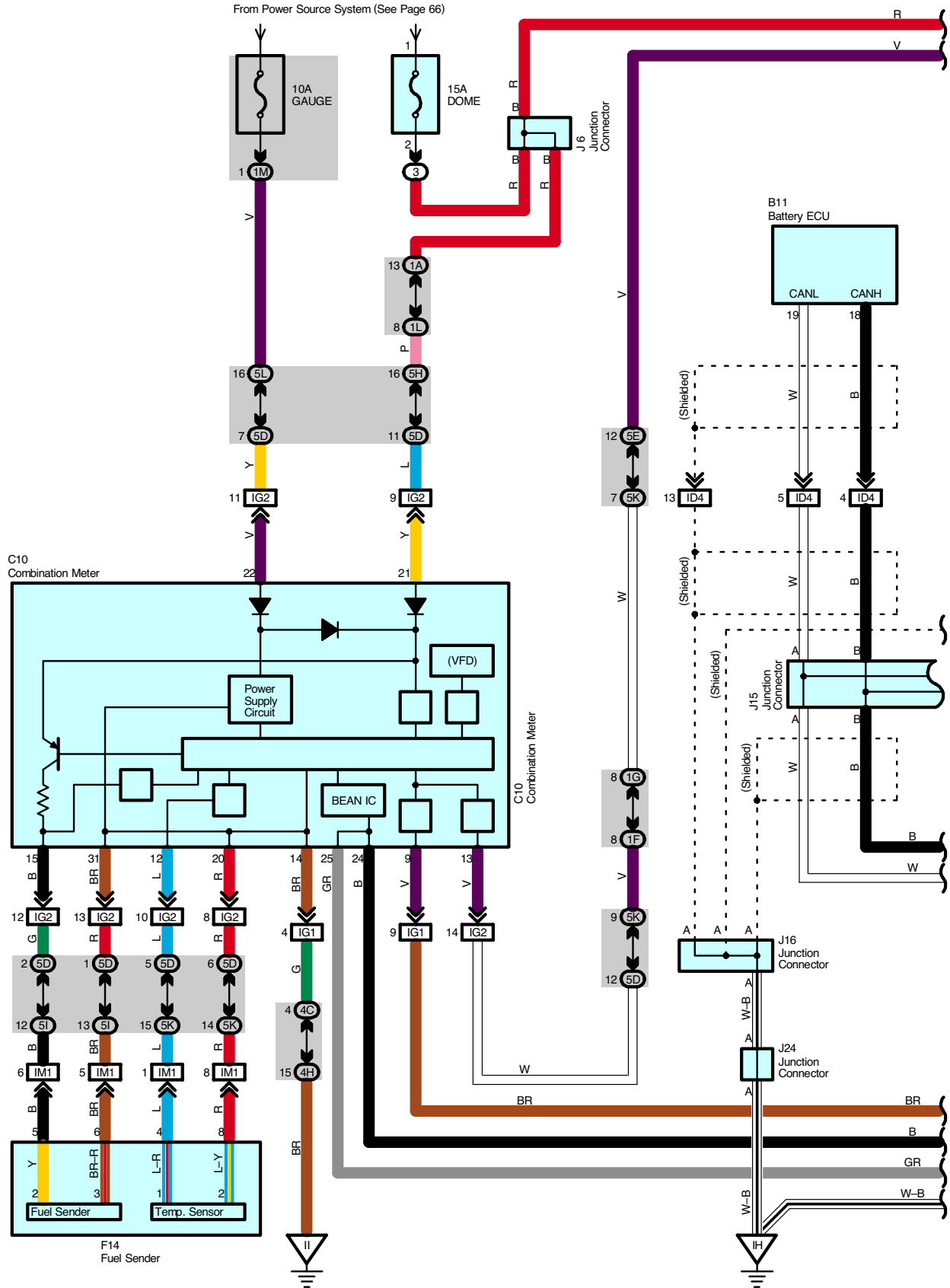
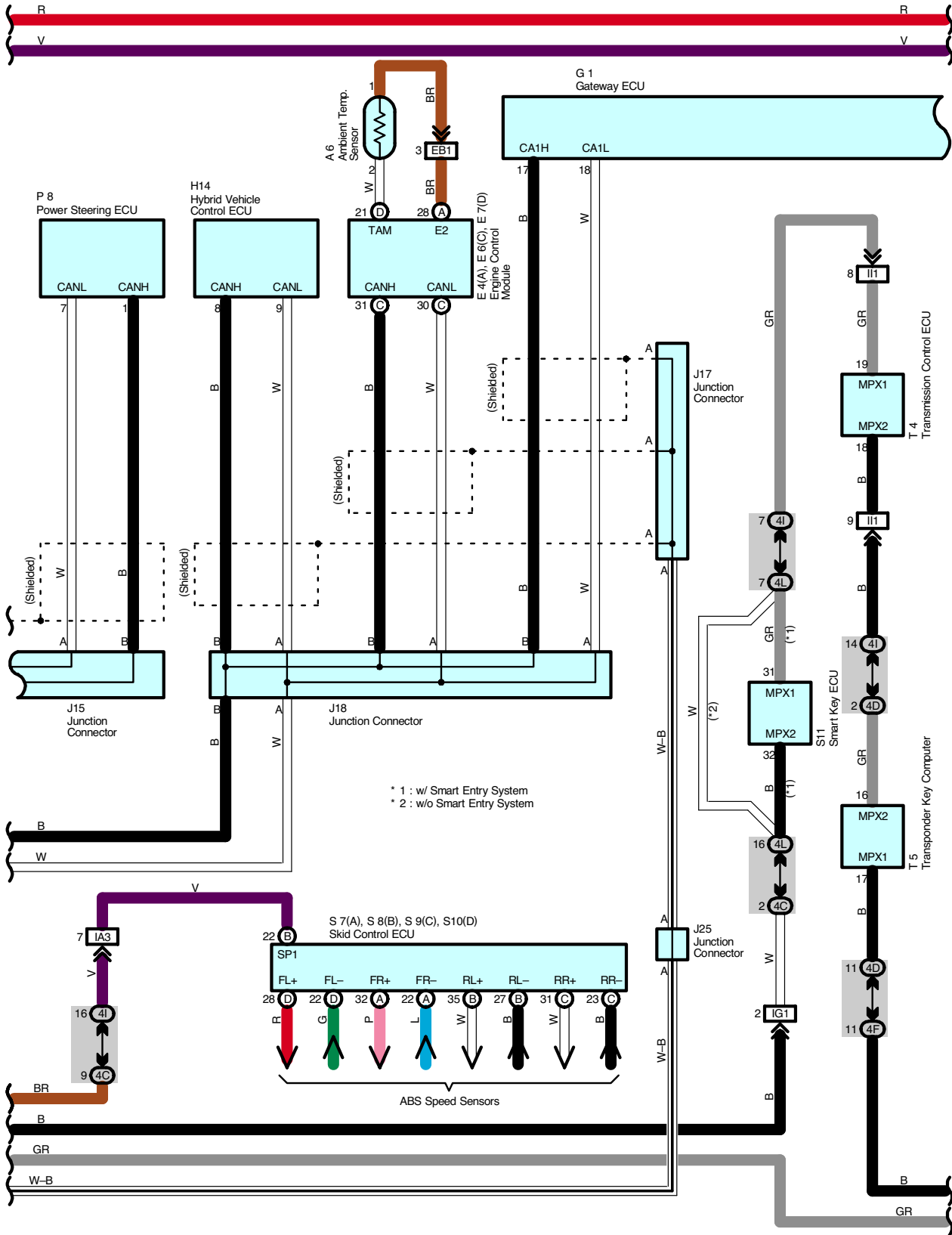
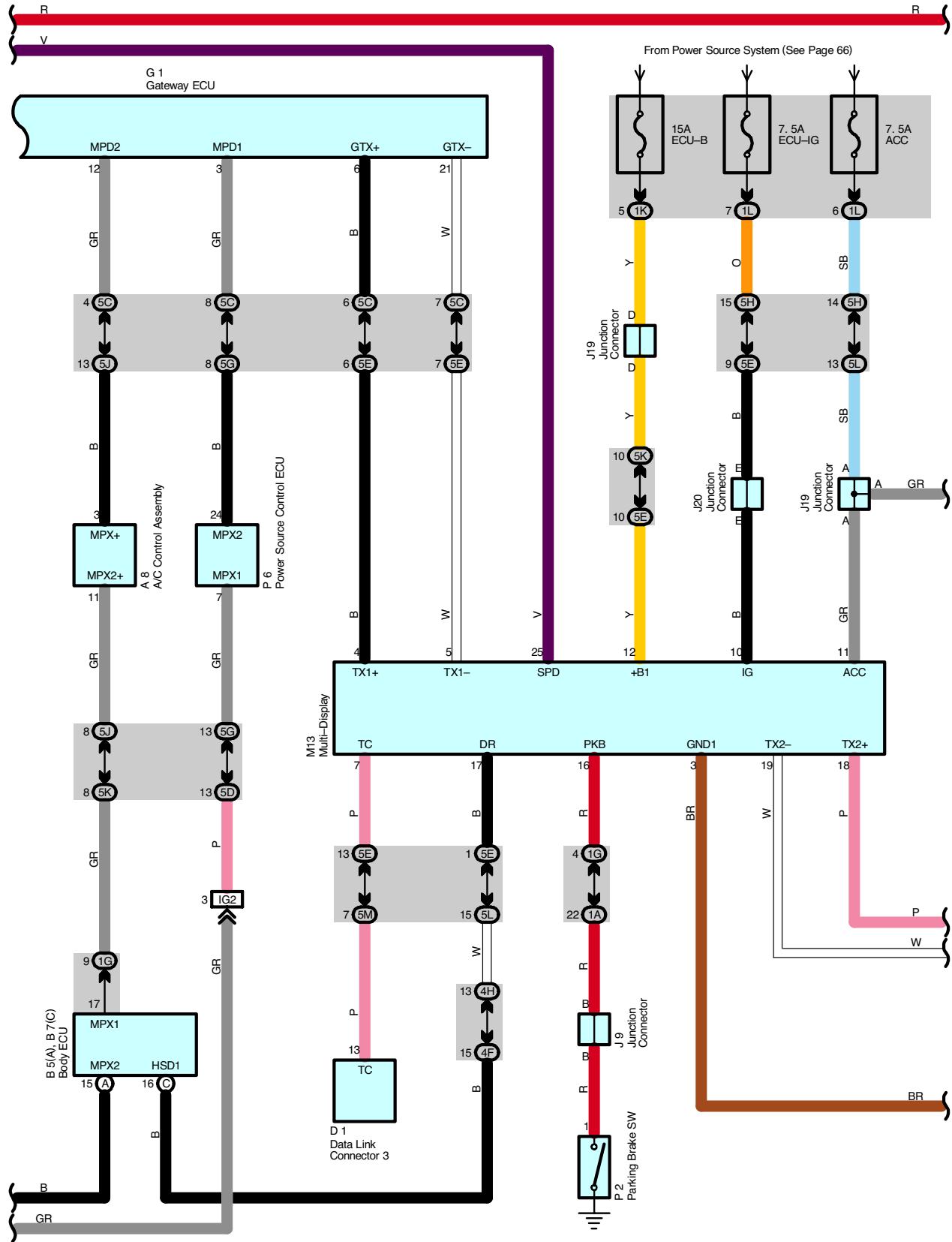


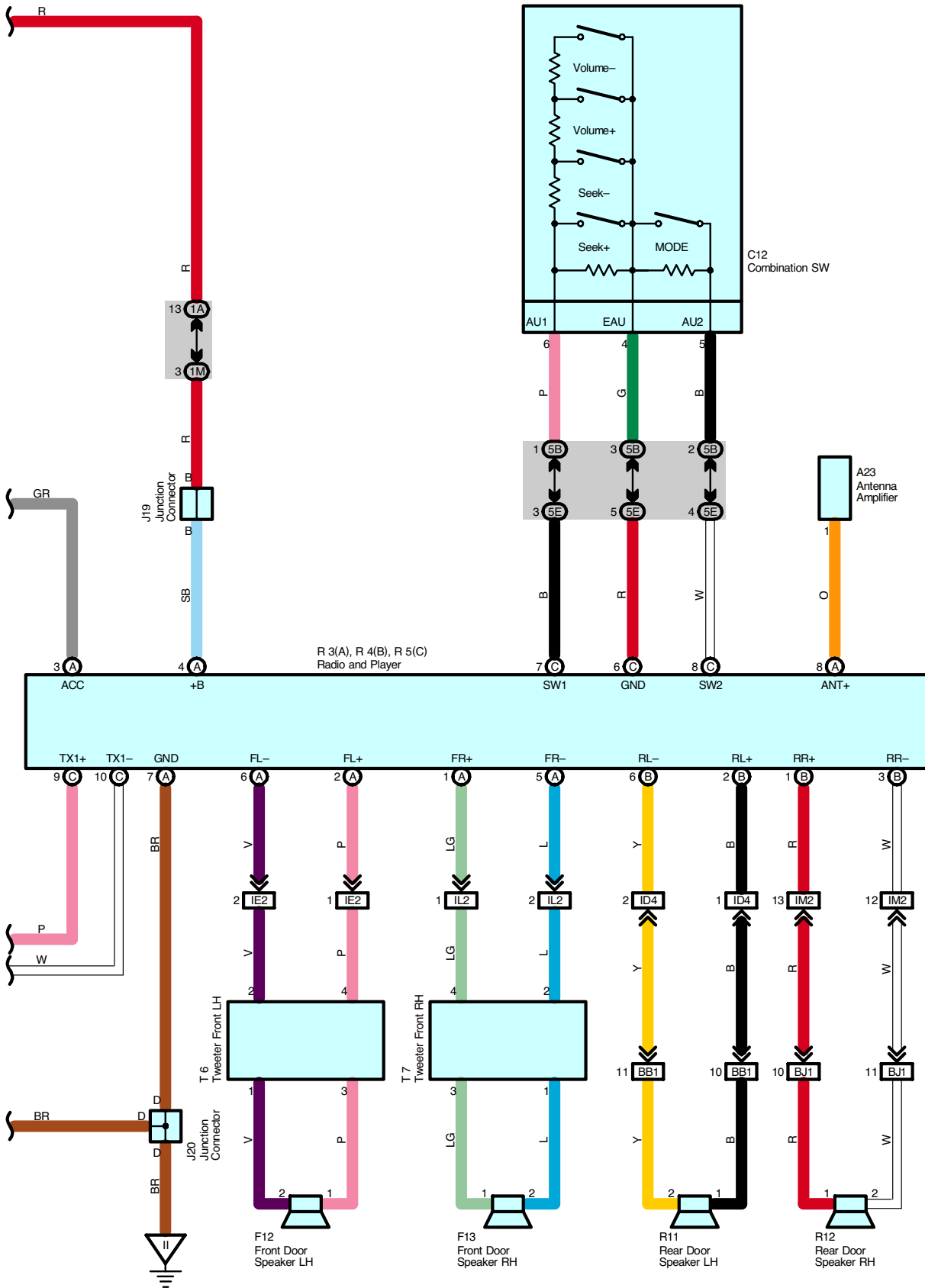
Multi-Display and Audio System with Built-in Amplifier





Multi-Display and Audio System with Built-in Amplifier





Multi-Display and Audio System with Built-in Amplifier

Service Hints

R3 (A) Radio and Player

(A) 3-Ground : Approx. 12 volts with the power SW at ACC ON or IG ON position

(A) 4-Ground : Always approx. 12 volts

(A) 7-Ground : Always continuity

M13 Multi-Display

12-Ground : Always approx. 12 volts

10-Ground : Approx. 12 volts with the power SW at IG ON position

11-Ground : Approx. 12 volts with the power SW at ACC ON or IG ON position

3-Ground : Always continuity

○ : Parts Location

Code	See Page	Code	See Page	Code	See Page
A6	44	G1	47	P8	49
A8	46	H14	47	R3	A 49
A23	46	J6	48	R4	B 49
B5	A 46	J9	48	R5	C 49
B7	C 46	J15	48	R11	52
B11	50	J16	48	R12	52
C10	47	J17	48	S7	A 49
C12	47	J18	48	S8	B 49
D1	47	J19	48	S9	C 49
E4	A 47	J20	48	S10	D 49
E6	C 47	J24	48	S11	49
E7	D 47	J25	48	T4	49
F12	51	M13	48	T5	49
F13	51	P2	49	T6	53
F14	51	P6	49	T7	53

○ : Relay Blocks

Code	See Page	Relay Blocks (Relay Block Location)
3	22	Engine Room R/B (Engine Compartment Left)

 : Junction Block and Wire Harness Connector

Code	See Page	Junction Block and Wire Harness (Connector Location)
1A	28	Engine Room Main Wire and Driver Side J/B (Lower Finish Panel)
1F	28	Instrument Panel Wire and Driver Side J/B (Lower Finish Panel)
1G		
1K		
1L		
1M		
4C	36	Instrument Panel Wire and Center Connector No.1 (Behind the Combination Meter)
4D		
4F		
4H		
4I		
4L	40	Instrument Panel Wire and Center Connector No.2 (Instrument Panel Brace RH)
5B		
5C		
5D		
5E		
5G		
5H		
5I		
5J		
5K		
5L		
5M		

 : Connector Joining Wire Harness and Wire Harness

Code	See Page	Joining Wire Harness and Wire Harness (Connector Location)
EB1	54	Engine Wire and Engine Room Main Wire (Inside of the Engine Room R/B)
IA3	56	Engine Room Main Wire and Instrument Panel Wire (Upper Parts of Front Body Pillar LH)
ID4	56	Instrument Panel Wire and Floor Wire (Left Kick Panel)
IE2	56	Front Door LH Wire and Instrument Panel Wire (Left Kick Panel)
IG1	58	Instrument Panel Wire and Instrument Panel No.2 Wire (Behind the Combination Meter)
IG2		
II1	58	Engine Wire and Instrument Panel Wire (Behind the Glove Box)
IL2	58	Front Door RH Wire and Instrument Panel Wire (Right Kick Panel)
IM1	58	Instrument Panel Wire and Floor No.2 Wire (Right Kick Panel)
IM2		
BB1	60	Rear Door No.2 Wire and Floor Wire (Left Center Pillar)
BJ1	62	Rear Door No.1 Wire and Floor No.2 Wire (Right Center Pillar)

 : Ground Points

Code	See Page	Ground Points Location
IH	56	Cowl Side Panel LH
II	56	Instrument Panel Brace LH