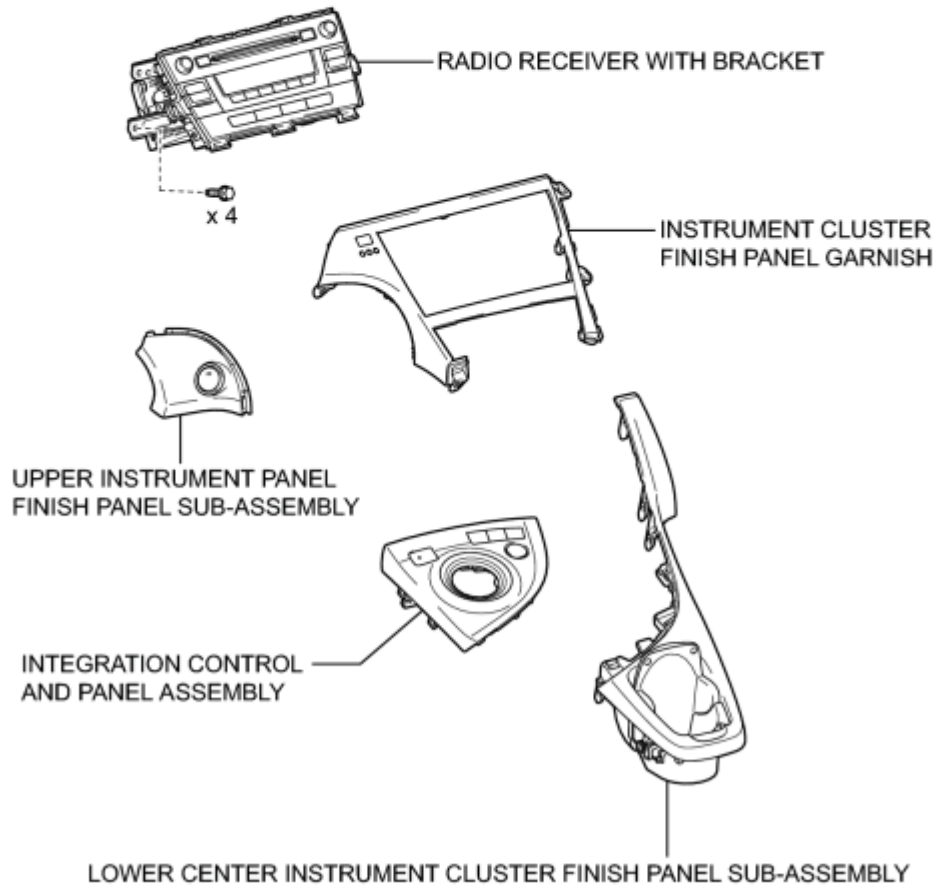
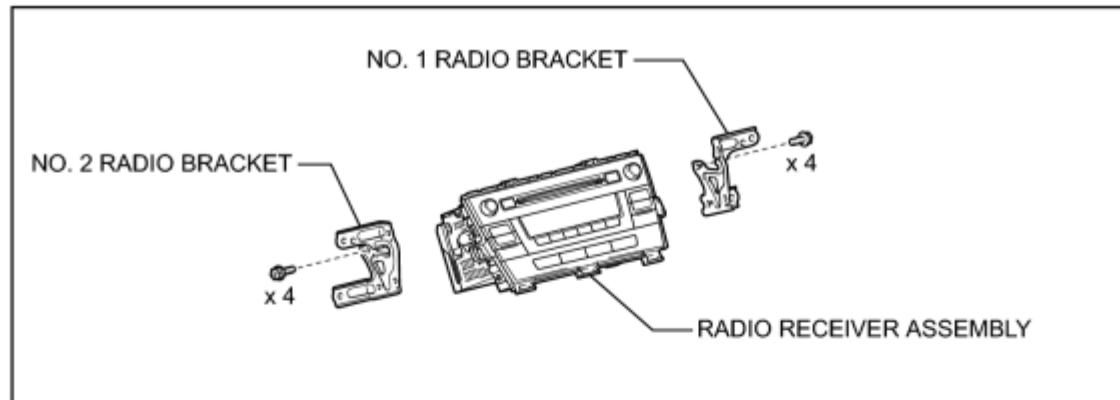


## COMPONENTS

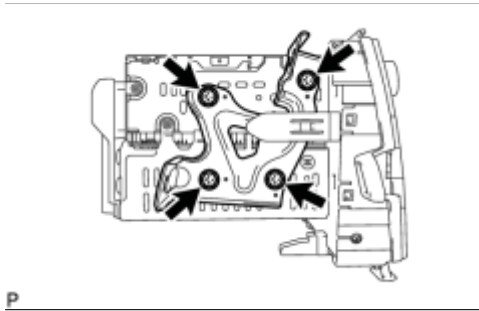
## ILLUSTRATION



## **INSTALLATION**

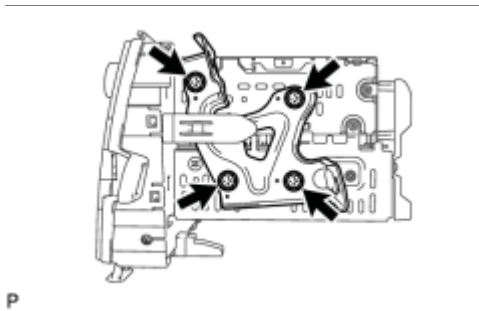
### **1. INSTALL RADIO RECEIVER ASSEMBLY**

### **2. INSTALL NO. 2 RADIO BRACKET**



(a) Install the No. 2 radio bracket with the 4 bolts.

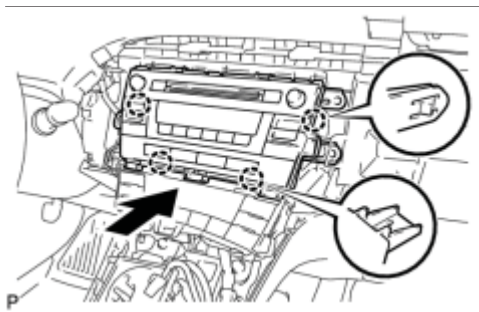
### **3. INSTALL NO. 1 RADIO BRACKET**



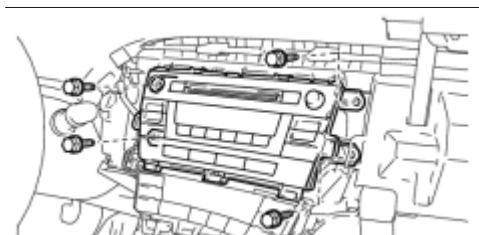
(a) Install the No. 1 radio bracket with the 4 bolts.

### **4. INSTALL RADIO RECEIVER WITH BRACKET**

(a) Connect each connector.



(b) Engage the 4 claws as shown in the illustration.



(c) Install the radio receiver with bracket with the 4 bolts.



5. INSTALL UPPER INSTRUMENT PANEL FINISH PANEL SUB-ASSEMBLY

INFO

6. INSTALL INSTRUMENT CLUSTER FINISH PANEL GARNISH

INFO

7. INSTALL LOWER CENTER INSTRUMENT CLUSTER FINISH PANEL SUB-ASSEMBLY

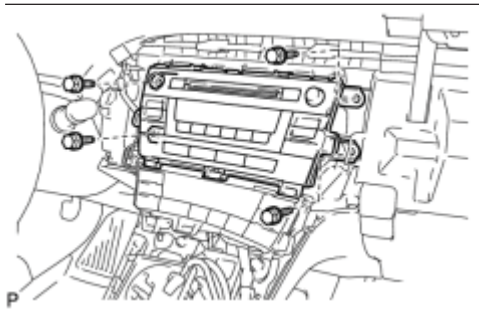
INFO

8. INSTALL INTEGRATION CONTROL AND PANEL ASSEMBLY

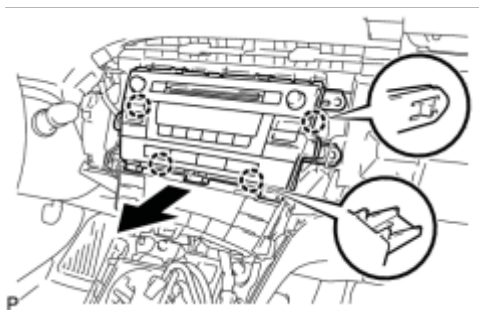
INFO

## REMOVAL

1. REMOVE INTEGRATION CONTROL AND PANEL ASSEMBLY INFO
2. REMOVE LOWER CENTER INSTRUMENT CLUSTER FINISH PANEL SUB-ASSEMBLY INFO
3. REMOVE INSTRUMENT CLUSTER FINISH PANEL GARNISH INFO
4. REMOVE UPPER INSTRUMENT PANEL FINISH PANEL SUB-ASSEMBLY INFO
5. REMOVE RADIO RECEIVER WITH BRACKET



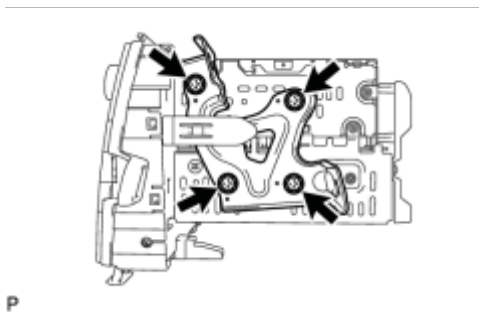
(a) Remove the 4 bolts.



(b) Disengage the 4 claws as shown in the illustration.

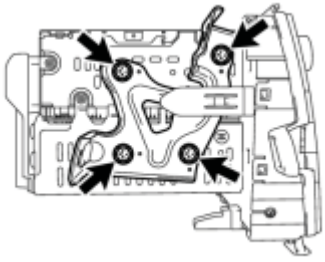
(c) Disconnect each connector and remove the radio receiver with bracket.

### 6. REMOVE NO. 1 RADIO BRACKET



(a) Remove the 4 bolts and No. 1 radio bracket.

### 7. REMOVE NO. 2 RADIO BRACKET



(a) Remove the 4 bolts and No. 2 radio bracket.

P

## 8. REMOVE RADIO RECEIVER ASSEMBLY