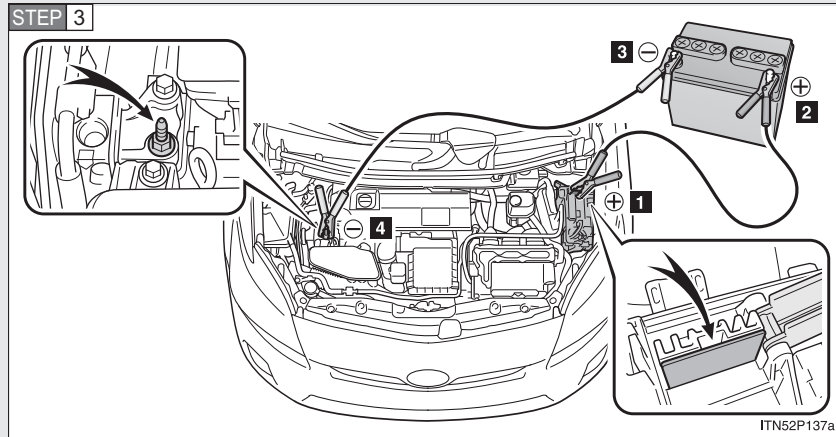


5-2. Steps to take in an emergency



Connecting the jumper cables.

- 1 Exclusive jump starting terminal on your vehicle
- 2 Positive (+) battery terminal on the second vehicle
- 3 Negative (-) battery terminal on the second vehicle
- 4 Connect the jumper cable to ground on your vehicle as shown in the illustration.

- STEP 4** Start the engine of the second vehicle. Increase the engine speed slightly and maintain at that level for approximately 5 minutes to recharge the 12 volt battery of your vehicle.
- STEP 5** Turn the “POWER” switch to ACCESSORY mode.
- STEP 6** Maintain the engine speed on the second vehicle and turn the “POWER” switch to ON mode, then start your vehicle’s hybrid system.
- STEP 7** Make sure the “READY” indicator comes on. If the indicator does not come on, contact your Toyota dealer.
- STEP 8** Once the vehicle’s hybrid system has started, remove the jumper cables in the exact reverse order in which they were connected.

Once the hybrid system starts, have the vehicle checked at your Toyota dealer as soon as possible.

n Starting the hybrid system when the 12 volt battery is discharged


The hybrid system cannot be started by push-starting. In addition, the shift position may not be changed from “P”.

n Avoiding a discharged 12 volt battery

- l Turn off the headlights and the audio system while the hybrid system is turned off.
- l Turn off any unnecessary electrical components when the vehicle is running at a low speed for an extended period, such as in heavy traffic, etc.

n When the 12 volt battery is removed or discharged

The hybrid system may not start. (→P. 438)

 **CAUTION**

n Avoiding 12 volt battery fires or explosions

Observe the following precautions to prevent accidentally igniting the flammable gas that may be emitted from the 12 volt battery.

- 1** Make sure the jumper cable is connected to the correct terminal and that it is not unintentionally in contact with any part other than the intended terminal.
- 1** Do not allow the jumper cables to come into contact with the “+” and “-” terminals.
- 1** Do not allow open flame or use matches, cigarette lighters or smoke near the 12 volt battery.

n 12 volt battery precautions

The 12 volt battery contains poisonous and corrosive acidic electrolyte, while related parts contain lead and lead compounds. Observe the following precautions when handling the 12 volt battery:

- 1** When working with the 12 volt battery, always wear safety glasses and take care not to allow any battery fluids (acid) to come into contact with skin, clothing or the vehicle body.
- 1** Do not lean over the 12 volt battery.
- 1** In the event that battery fluid comes into contact with the skin or eyes, immediately wash the affected area with water and seek medical attention. Place a wet sponge or cloth over the affected area until medical attention can be received.
- 1** Always wash your hands after handling the battery support, terminals, and other battery-related parts.
- 1** Do not allow children near the 12 volt battery.

 NOTICE

n To prevent damaging the vehicle

The exclusive jump starting terminal is to be used when charging the 12 volt battery from another vehicle in an emergency. It cannot be used to jump start another vehicle.

n When handling jumper cables

Be careful that the jumper cables do not become tangled in the cooling fan or any of the belts when connecting or disconnecting them.