

<b>Last Modified:</b> 12-04-2024	6.11:8.1.0	<b>Doc ID:</b> RM100000002BDXN
<b>Model Year Start:</b> 2023	<b>Model:</b> Prius Prime	<b>Prod Date Range:</b> [03/2023 - ]
<b>Title:</b> MAINTENANCE: PA10/PB10/PB12 HYBRID TRANSAXLE FLUID: REPLACEMENT; 2023 - 2024 MY Prius Prius Prime [03/2023 - ]		

## REPLACEMENT

### PROCEDURE

#### 1. REMOVE NO. 1 ENGINE UNDER COVER ASSEMBLY

- for 2ZR-FXE:

Click here [INFO](#)

- for M20A-FXS:

Click here [INFO](#)

#### 2. REPLACE HYBRID TRANSAXLE FLUID

- (a) Lift the vehicle. [#1]

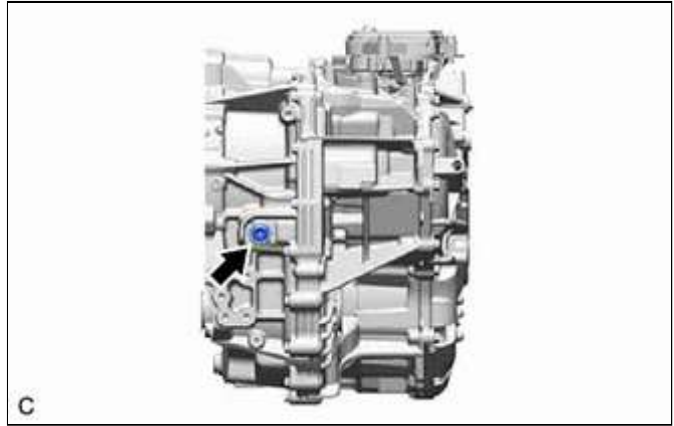
##### NOTICE:

Set the vehicle on a lift so that the vehicle is kept level when it is lifted up (make sure that the tilt angle from the front to rear of the vehicle is within +/- 1°).

- (b) Remove the filler plug and gasket from the hybrid vehicle transaxle assembly. [#2]



- (c) Using a 10 mm hexagon socket wrench, remove the drain plug and gasket from the hybrid vehicle transaxle assembly and drain the hybrid transaxle fluid. [#3]



(d) Using a 10 mm hexagon socket wrench, temporarily install the drain plug and gasket to the hybrid vehicle transaxle assembly. [#4]

**HINT:**

Reuse the old gasket as the drain plug will be removed again.

(e) for PA10:

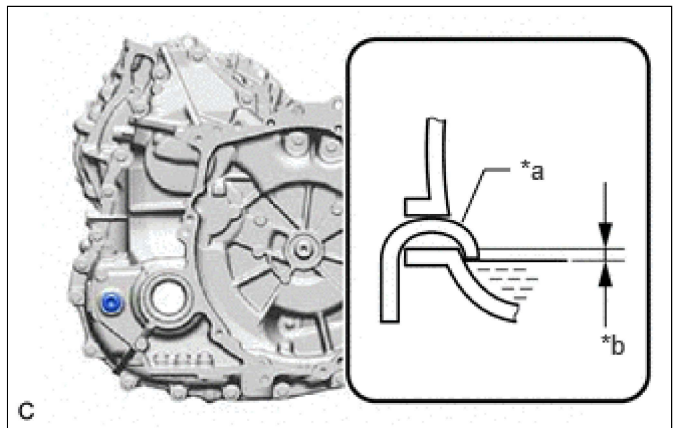
(1) Add hybrid transaxle fluid until the hybrid transaxle fluid level is between 0 to 6 mm (0 to 0.236 in.) from the bottom lip of the filler plug opening. [#5]

**NOTICE:**

- Use TOYOTA GENUINE e-Transaxle Fluid TE.

Using hybrid transaxle fluid other than the above type may cause abnormal noise or vibration, or ultimately damage the transaxle of the vehicle.

- Be sure to fully insert the filler nozzle into the filler plug opening.
- Be sure to add hybrid transaxle fluid slowly. If hybrid transaxle fluid is added quickly, the hybrid transaxle fluid may hit internal parts and bounce back, resulting in hybrid transaxle fluid coming out of the filler plug opening. When using a manual lever type oil bucket pump, operate the lever at a speed of approximately one pump every 2 seconds.
- Be sure to directly check that the hybrid transaxle fluid level is within the specified range.
- An insufficient or excessive amount of hybrid transaxle fluid may damage the hybrid vehicle transaxle assembly.



*a	Filler Nozzle
*b	for PA10: 0 to 6 mm (0 to 0.236 in.) for PB10, PB12: 0 to 10 mm (0 to 0.394 in.)

(f) for PB10, PB12:

(1) Add hybrid transaxle fluid until the hybrid transaxle fluid level is between 0 to 10 mm (0 to 0.394 in.) from the bottom lip of the filler plug opening. [#5]

**NOTICE:**

- Use TOYOTA GENUINE e-Transaxle Fluid TE.

Using hybrid transaxle fluid other than the above type may cause abnormal noise or vibration, or ultimately damage the transaxle of the vehicle.

- Be sure to fully insert the filler nozzle into the filler plug opening.
- Be sure to add hybrid transaxle fluid slowly. If hybrid transaxle fluid is added quickly, the hybrid transaxle fluid may hit internal parts and bounce back, resulting in hybrid transaxle fluid coming out of the filler plug opening. When using a manual lever type oil bucket pump, operate the lever at a speed of approximately one pump every 2 seconds.
- Be sure to directly check that the hybrid transaxle fluid level is within the specified range.
- An insufficient or excessive amount of hybrid transaxle fluid may damage the hybrid vehicle transaxle assembly.

(g) Temporarily install the filler plug and gasket to the hybrid vehicle transaxle assembly. [#6]

**HINT:**

Reuse the old gasket as the filler plug will be removed again.

(h) Lower the vehicle. [#7]

(i) Put the engine in Inspection Mode (Maintenance Mode). [#8]

Click here [INFO](#)

(j) Idle the engine for 30 seconds with the ignition switch on (READY). [#9]

(k) Turn the ignition switch off. [#10]

(l) Repeat steps [#1] to [#10].

(m) Repeat steps [#1] to [#3].

(n) Using a 10 mm hexagon socket wrench, install the drain plug and a new gasket to the hybrid vehicle transaxle assembly.

**Torque:**

**50 N·m {510 kgf·cm, 37 ft·lbf}**

(o) Temporarily install the filler plug and gasket to the hybrid vehicle transaxle assembly.

**HINT:**

Reuse the old gasket as the filler plug will be removed again.

**3. ADD HYBRID TRANSAXLE FLUID**

Click here [INFO](#)

**4. INSPECT HYBRID TRANSAXLE FLUID**

Click here [INFO](#)

**5. INSPECT FOR HYBRID TRANSAXLE FLUID LEAK**

Click here [INFO](#)

**6. INSTALL NO. 1 ENGINE UNDER COVER ASSEMBLY**

- for 2ZR-FXE:

Click here [INFO](#)

- for M20A-FXS:

Click here [INFO](#)

