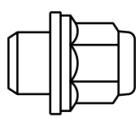
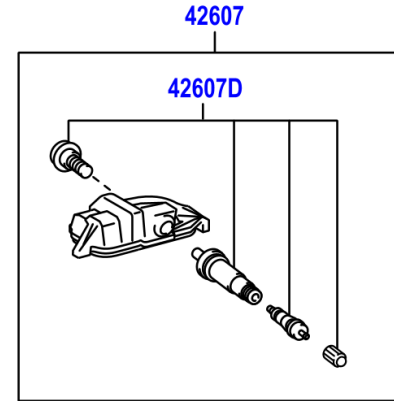
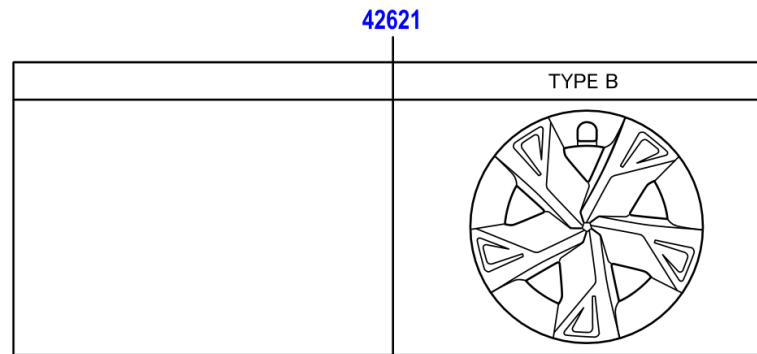
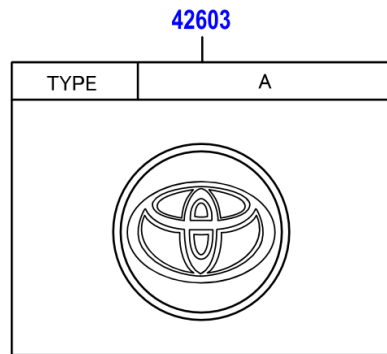


※1

TYPE		TYPE	B
			



INFOMEDIA



Catalogue: PRIUS (2022 - )

Print Date: 23/09/2024

Section: 41.03 DISC WHEEL & WHEEL CAP ILLUST NO. 1 OF 3; (2212- );

VIN:

Build Date:

PNC	Part number	Description	Model Codes	Qty	Inv	From	To
42601C	90942-01131	NUT, HUB (FOR AXLE), TYPE B:REFER ILLUST.	MXWH6#	20		12/2022	
42603	42603-42170	ORNAMENT SUB-ASSY, WHEEL HUB, *ALU,TYPE A:REFER ILLUST.	MXWH6#..G,H	4		12/2022	
42607	42607-47020	VALVE SUB-ASSY, TIRE PRESSURE MONITOR, KOREA SPEC	MXWH65..G;MXWH60,61..E,G	4		12/2022	
42607	42607-47010	VALVE SUB-ASSY, TIRE PRESSURE MONITOR	MXWH6#	4		12/2022	
42607D	90942-05047	VALVE, TIRE PRESSURE MONITOR	MXWH6#	4		12/2022	
42611J	90942-05009	VALVE (FOR TUBELESS TIRE SPARE), GUAM,SAIPAN SPEC&SPARE TIRE-TEMPORARY TIRE(REINFORCEMENT)	MXWH60..E	1		12/2022	
42611J	90942-05009	VALVE (FOR TUBELESS TIRE SPARE), PUERTO RICO SPEC&SPARE TIRE-TEMPORARY TIRE(REINFORCEMENT)	MXWH60..E	1		12/2022	
42611J	90942-05009	VALVE (FOR TUBELESS TIRE SPARE), SPARE TIRE-TEMPORARY TIRE	MXWH60,65	1		12/2022	
42621	42602-47320	CAP, WHEEL, TYPE B:REFER ILLUST.	MXWH6#..E	4		12/2022	