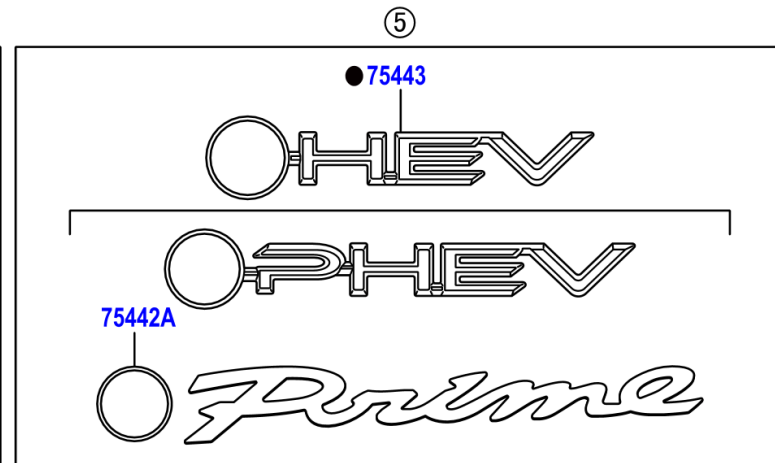
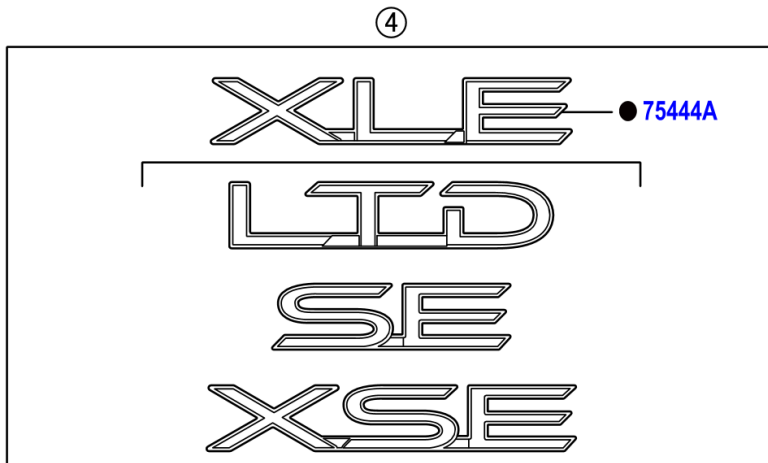
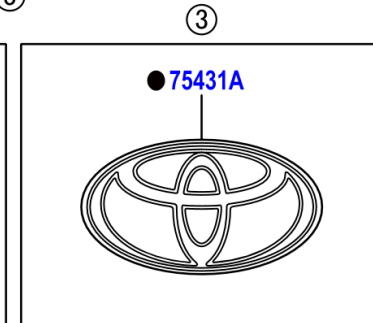
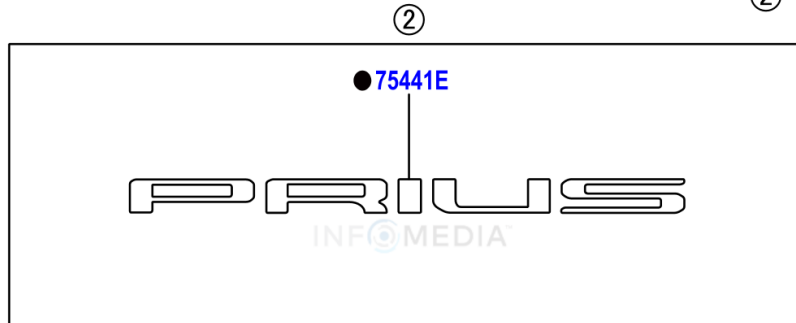
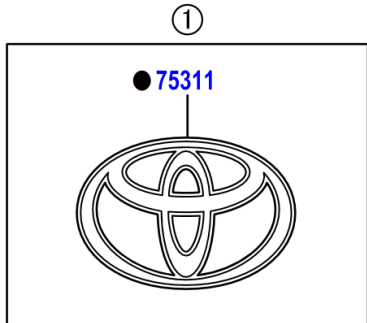


- 再使用不可部品
- Non-reusable part



754682A

Catalogue: PRIUS (2022 -)

Print Date: 12/02/2025

Section: 75.01 EMBLEM & NAME PLATE (EXTERIOR & INTERIOR); (2212-);

VIN:

Build Date:

PNC	Part number	Description	Model Codes	Qty	Inv	From	To
75311	90975-02209	EMBLEM, RADIATOR GRILLE (OR FRONT PANEL), KOREA SPEC&COLD AREA SPEC(USA)	MXWH65..G	1		12/2022	01/2025
75311	90975-02209	EMBLEM, RADIATOR GRILLE (OR FRONT PANEL), KOREA SPEC&COLD AREA SPEC(USA)	MXWH60,61..E,G	1		12/2022	
75311	90975-02209	EMBLEM, RADIATOR GRILLE (OR FRONT PANEL), KOREA SPEC	MXWH65..G	1		01/2025	
75311	90975-02210	EMBLEM, RADIATOR GRILLE (OR FRONT PANEL)	MXWH6#	1		12/2022	
75431A	75403-47020	EMBLEM, BACK DOOR, NO.1, US NIGHT SHADE	MXWH60,65..G	1		01/2025	
75431A	75431-47050	EMBLEM, BACK DOOR, NO.1	MXWH6#	1		12/2022	
75441E	75404-47020	PLATE, BACK DOOR NAME, NO.1, PRIUS,US NIGHT SHADE	MXWH60,65..G	1		01/2025	
75441E	75404-47010	PLATE, BACK DOOR NAME, NO.1, PRIUS	MXWH6#	1		12/2022	
75442A	75405-47010	PLATE, BACK DOOR NAME, NO.2	MXWH61	1		03/2023	01/2025
75443	75440-47020	PLATE, BACK DOOR NAME, NO.3, PHEV,KOREA SPEC	MXWH61..E,G	1		03/2023	01/2025
75443	75440-47030	PLATE, BACK DOOR NAME, NO.3, HEV,US NIGHT SHADE	MXWH60,65..G	1		01/2025	
75443	75440-47010	PLATE, BACK DOOR NAME, NO.3, HEV	MXWH60,65	1		12/2022	
75443	75440-47020	PLATE, BACK DOOR NAME, NO.3, PHEV	MXWH61	1		01/2025	
75443	75447-47030	PLATE, BACK DOOR NAME, NO.3, PRIME	MXWH61	1		03/2023	01/2025
75444A	75444-47150	PLATE, BACK DOOR NAME, NO.4, XLE	MXWH60,65..G	1		12/2022	01/2025
75444A	75444-47160	PLATE, BACK DOOR NAME, NO.4, LTD	MXWH60,65..H	1		12/2022	01/2025
75444A	75444-47190	PLATE, BACK DOOR NAME, NO.4, SE	MXWH61..E	1		03/2023	01/2025
75444A	75444-47200	PLATE, BACK DOOR NAME, NO.4, XSE	MXWH61..G,H	1		03/2023	01/2025
75444A	75444-47220	PLATE, BACK DOOR NAME, NO.4, XLE	MXWH60,65..G	1		01/2025	
75444A	75444-47230	PLATE, BACK DOOR NAME, NO.4, LTD	MXWH60,65..H	1		01/2025	
75444A	75444-47240	PLATE, BACK DOOR NAME, NO.4, SE	MXWH61..E	1		01/2025	
75444A	75444-47250	PLATE, BACK DOOR NAME, NO.4, XSE	MXWH61..G,H	1		01/2025	